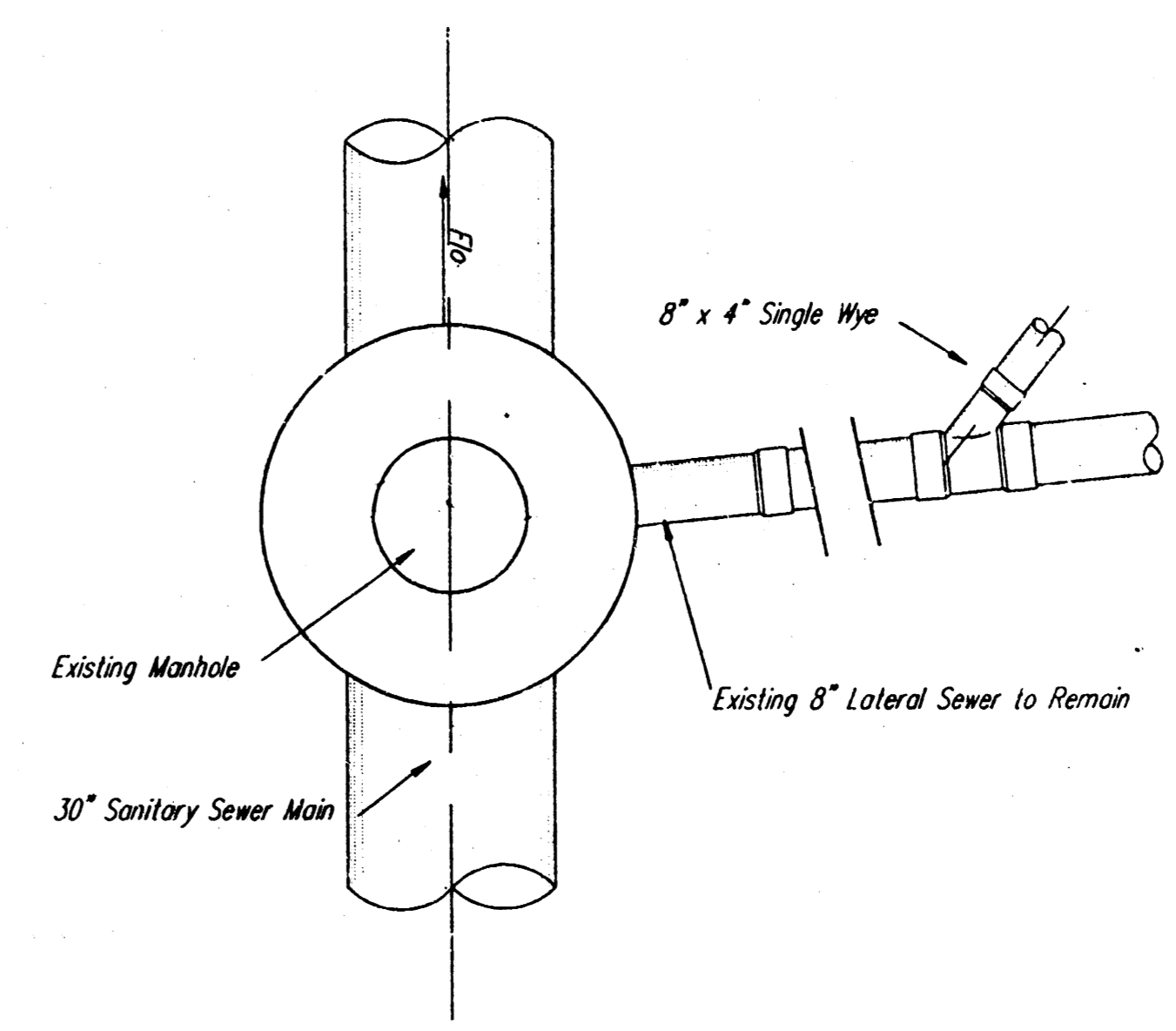
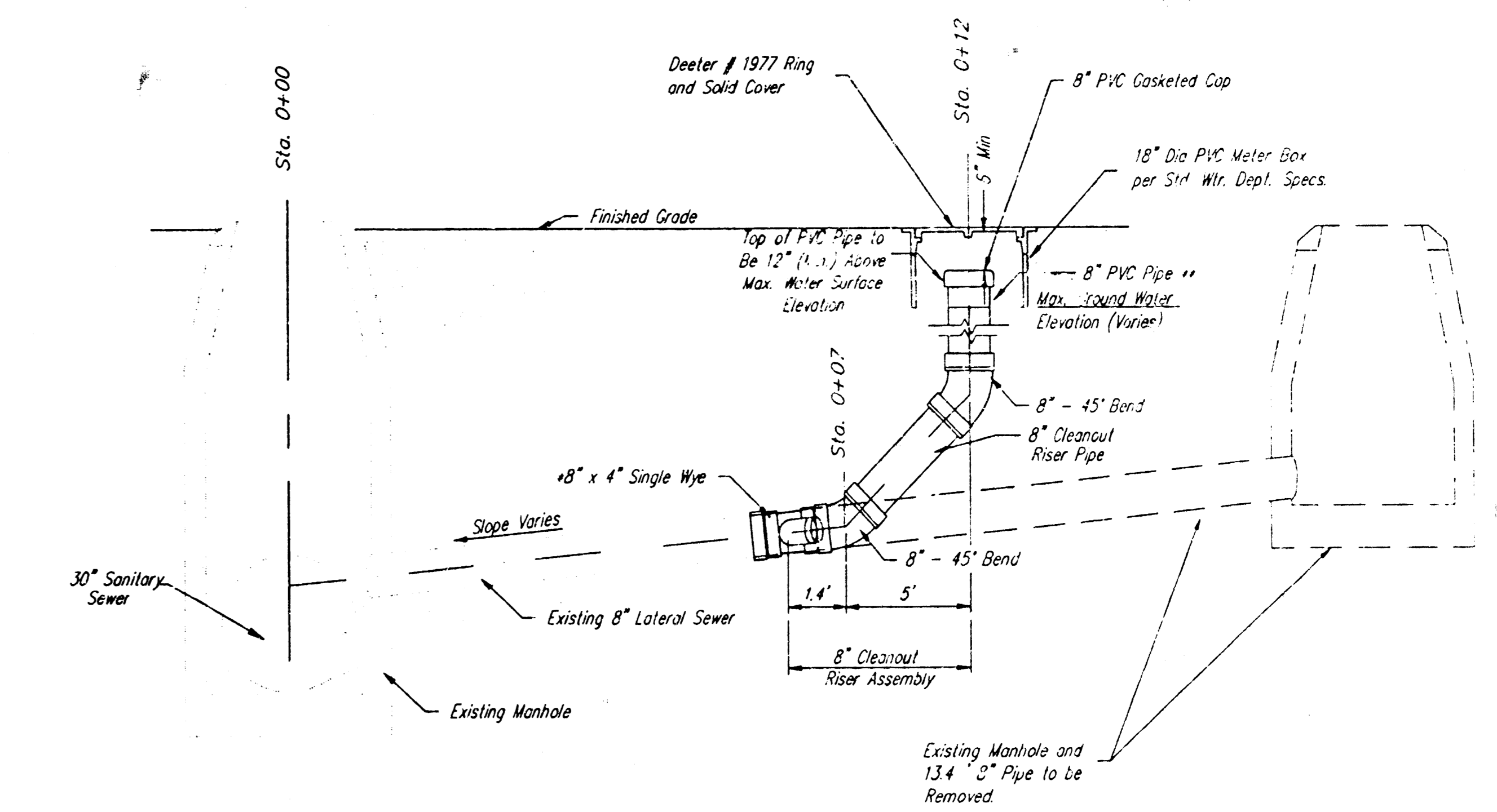
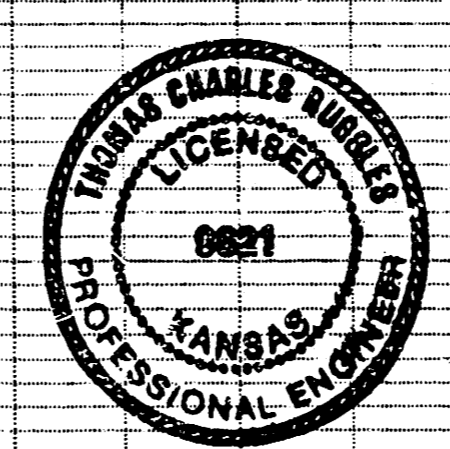
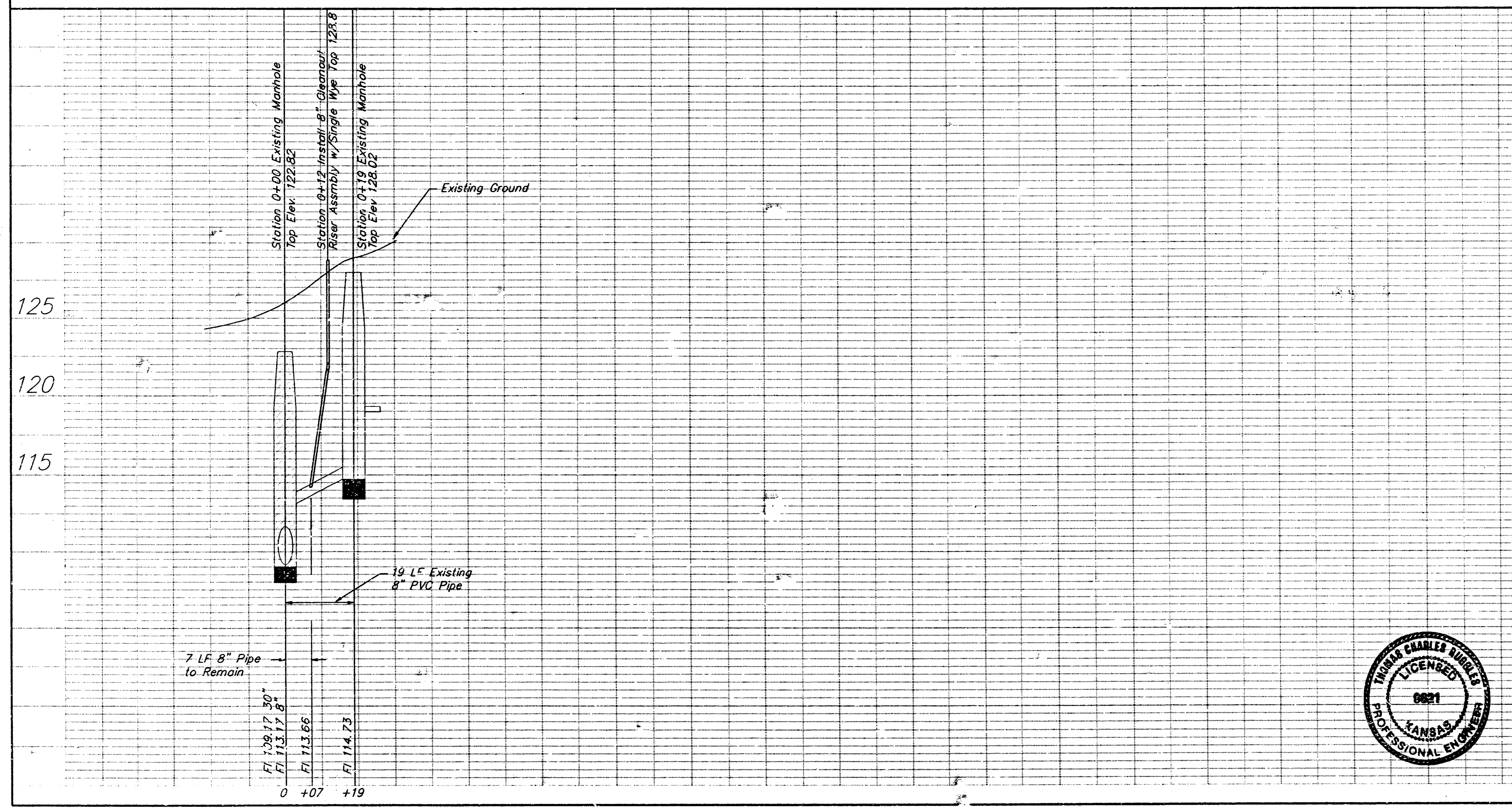


Scale: 1"=20' Plan
1"=5' Vert.
● = Iron



8" CLEANOUT RISER ASSEMBLY DETAIL

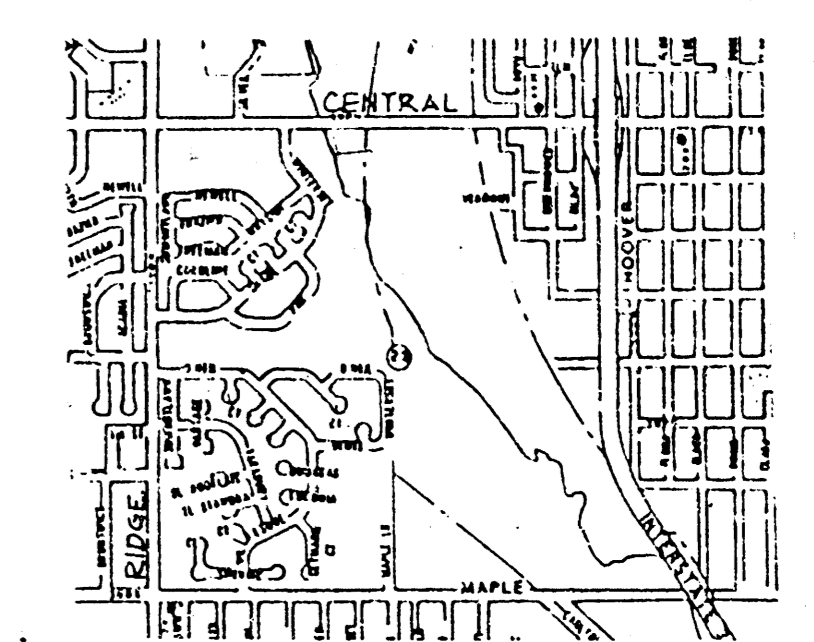


APPROVED AS NOTED
BY CITY ENGINEER OF WICHITA

Sanitary Sewers
Storm Sewers
Driveway Approaches
Water Mains
Paving

NOTE TO CONTRACTORS

Inspection and testing for this project is to be provided by a Licensed Consulting Engineering Firm under contract with the Owner/Developer. Said inspection to be in accordance with the City of Wichita standard construction engineering practices and certified by a Licensed Professional Engineer. No work shall be performed in dedicated easements or public right-of-way by the Contractor without such inspection nor shall any work be commenced without written authorization by the City Engineer.



Booked 3/13/92
JKB

No Revision as built 5-4-91

PART OF LOT 1, BLK 5, FARMINGTON SQUARE 2ND ADDITION			
SANITARY SEWER IMPROVEMENTS			
BAUGHMAN COMPANY P. A.		ENGINEERING & SURVEYING	
316/262-7271 • 315 ELLIS • WICHITA, KANSAS 67211			
PROJECT NUMBER			
293 FPS (607861)			
DESIGN	DRAWN	APPROVED	DATE
TCR	MPS		JUNE 1991
SCALE		AS NOTED	
		SHEET 1 OF 1	