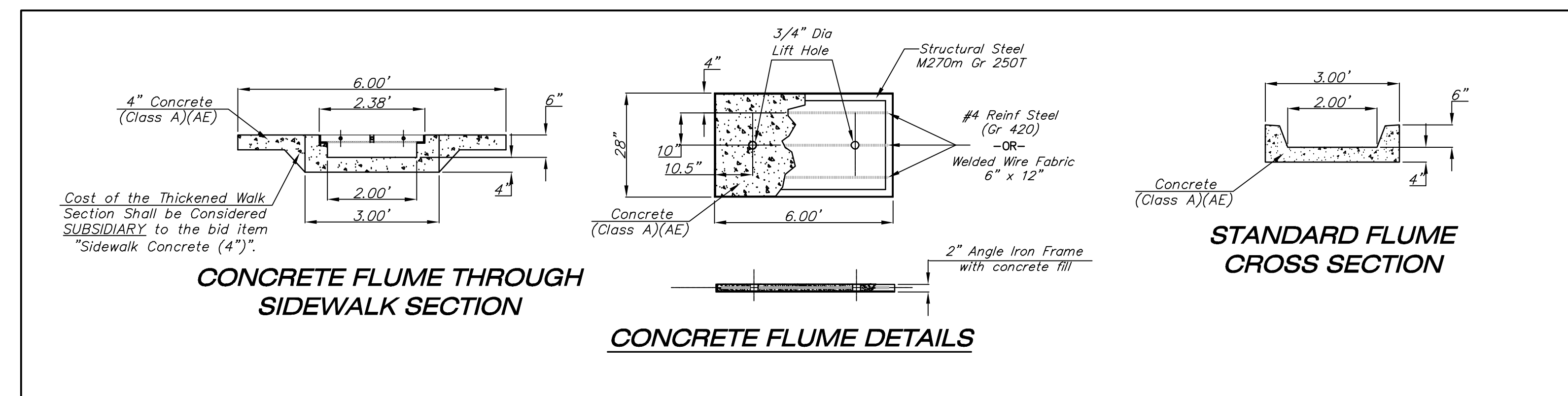
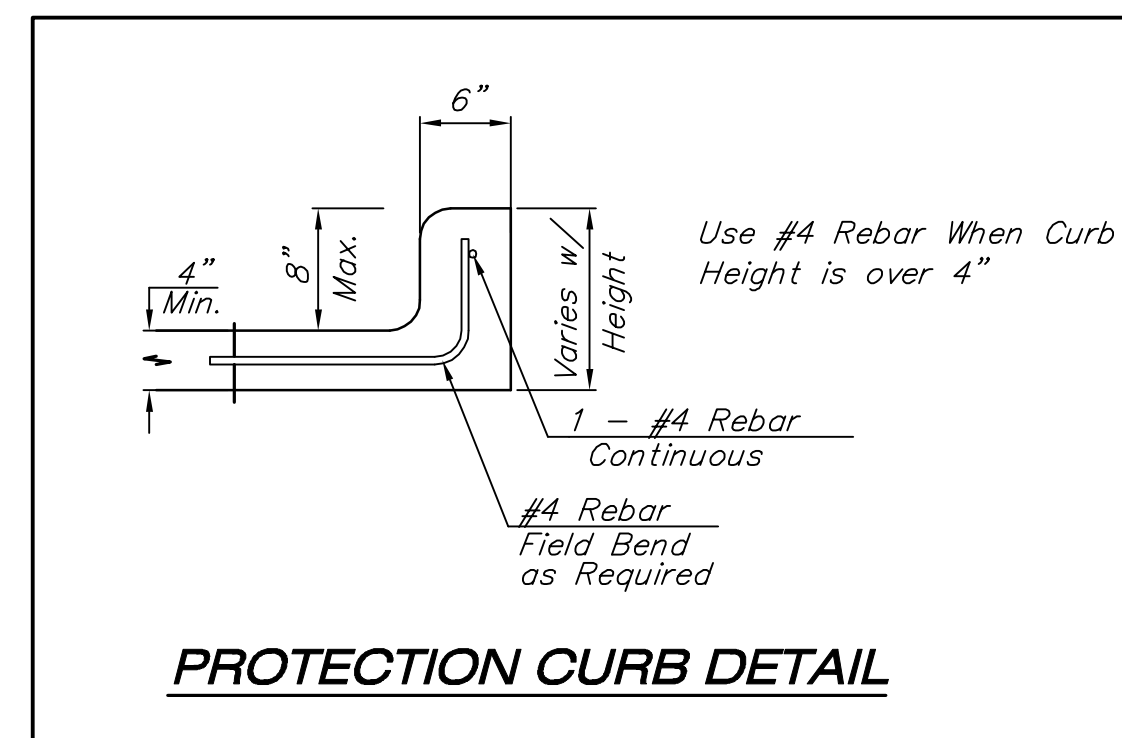
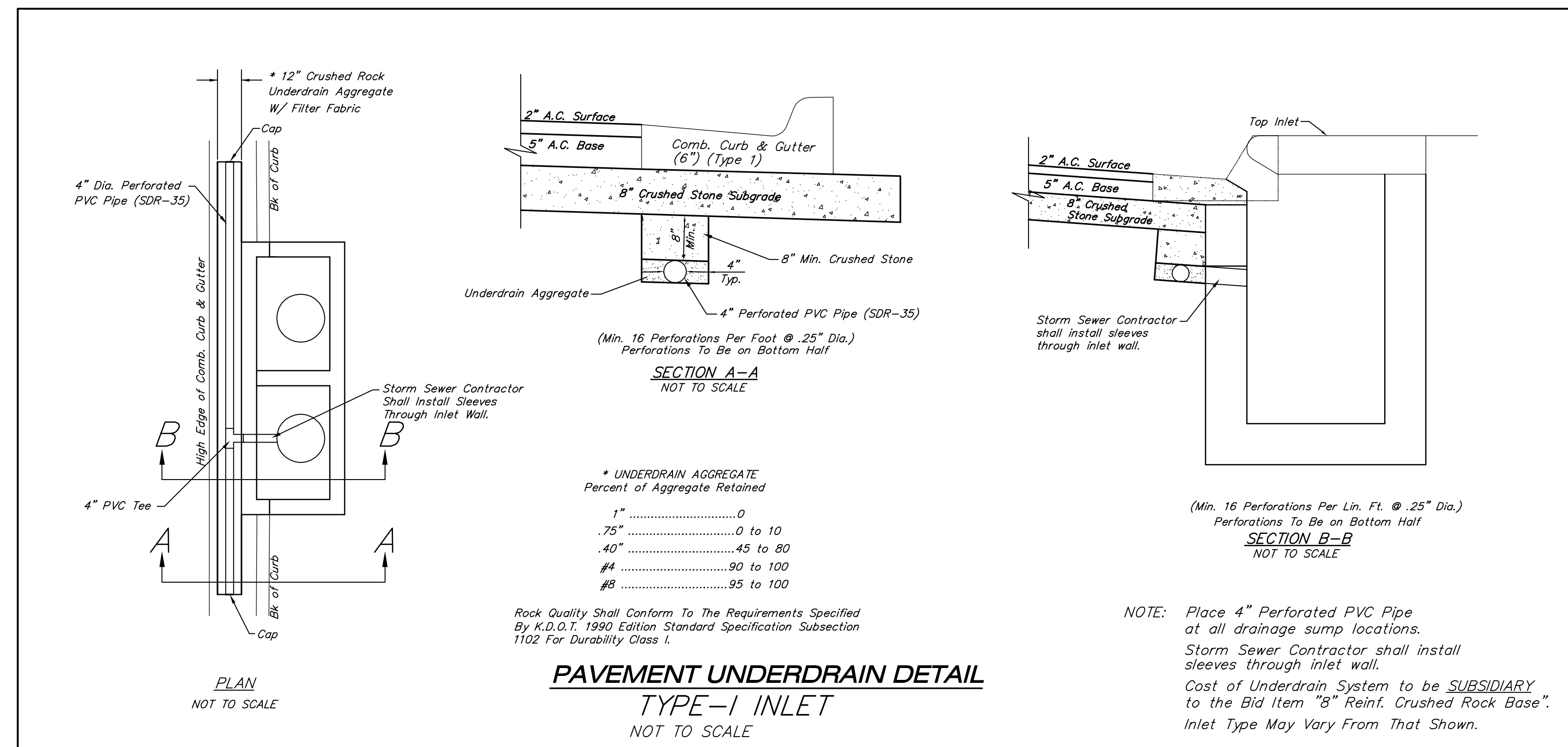
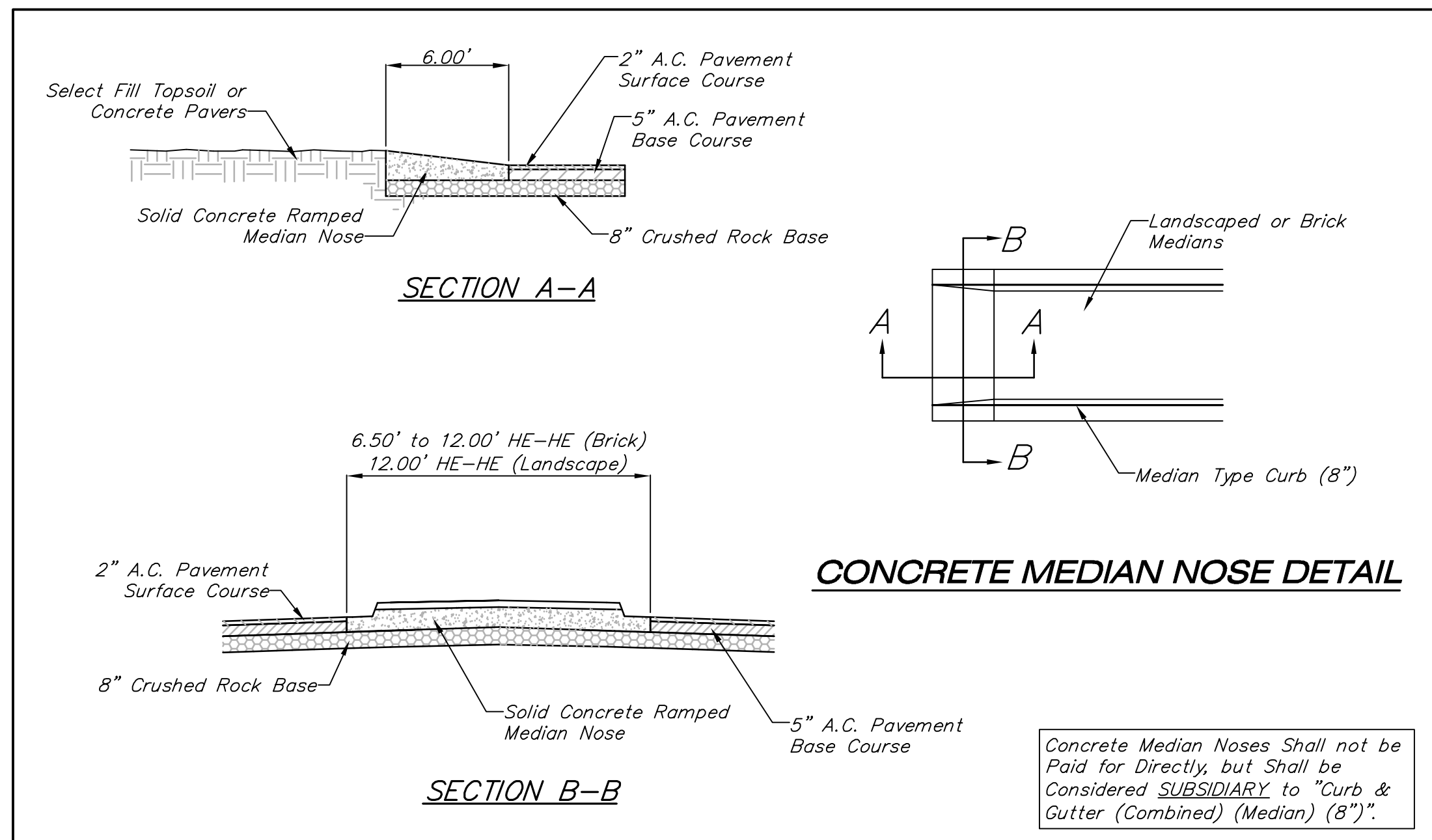
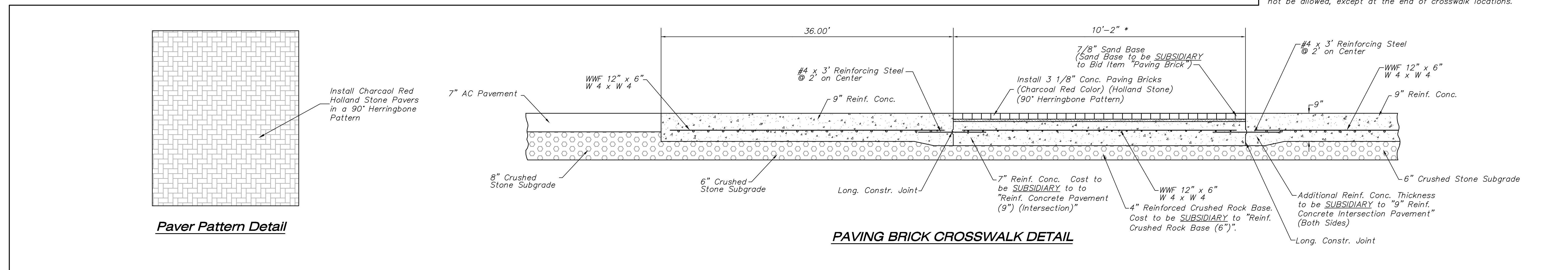


HWY REGION NO.	STATE	PROJECT NO.	FISCAL YEAR	SHEET NO.	TOTAL SHEETS
7	KANSAS	87N-0378-01	2008	14	72



\* Brick Pavers to be installed in crosswalk and/or median locations shall be **custom cut** to match final concrete dimensions. Contractor shall construct crosswalk blockouts to **match** nominal paver width dimensions. Fill in with "brick slivers" (defined as pieces smaller than 1/2 of the shortest paver dimension) shall not be allowed, except at the end of crosswalk locations.



Design: STAFF  
Drawn: STAFF  
Approved:  
Scale: None

Project No. D404EB56 CAPITAL IMPROVEMENT PROJECT

**MISCELLANEOUS DETAILS**

CENTRAL AND TYLER INTERSECTION IMPROVEMENTS

**Baughman Company, P.A.**  
315 Ellis St. Wichita, KS 67211 P 316-262-7271 F 316-262-0149

ENGINEERING | SURVEYING | PLANNING | LANDSCAPE ARCHITECTURE

MAY 2008  
SHEET 14 OF 72