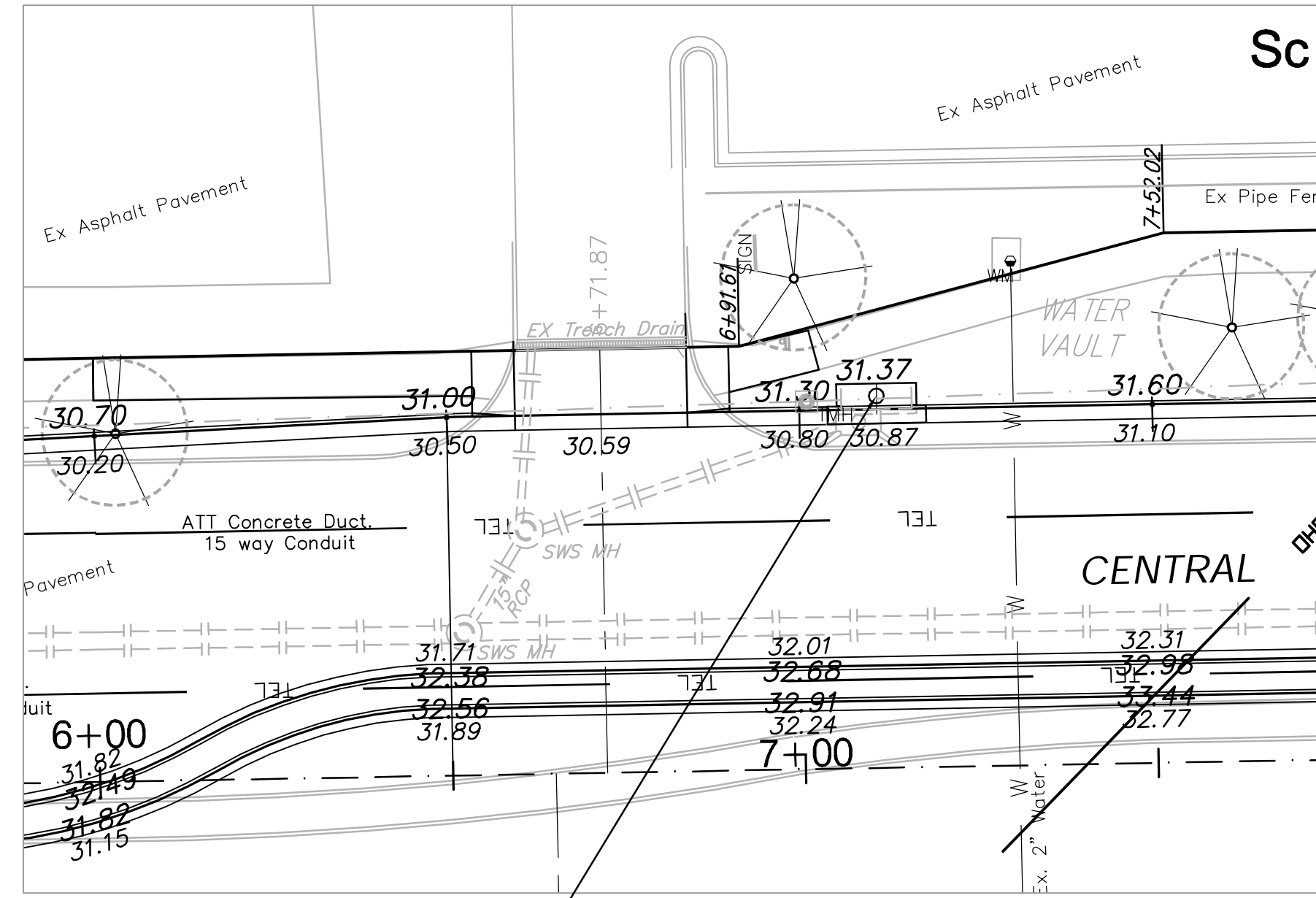
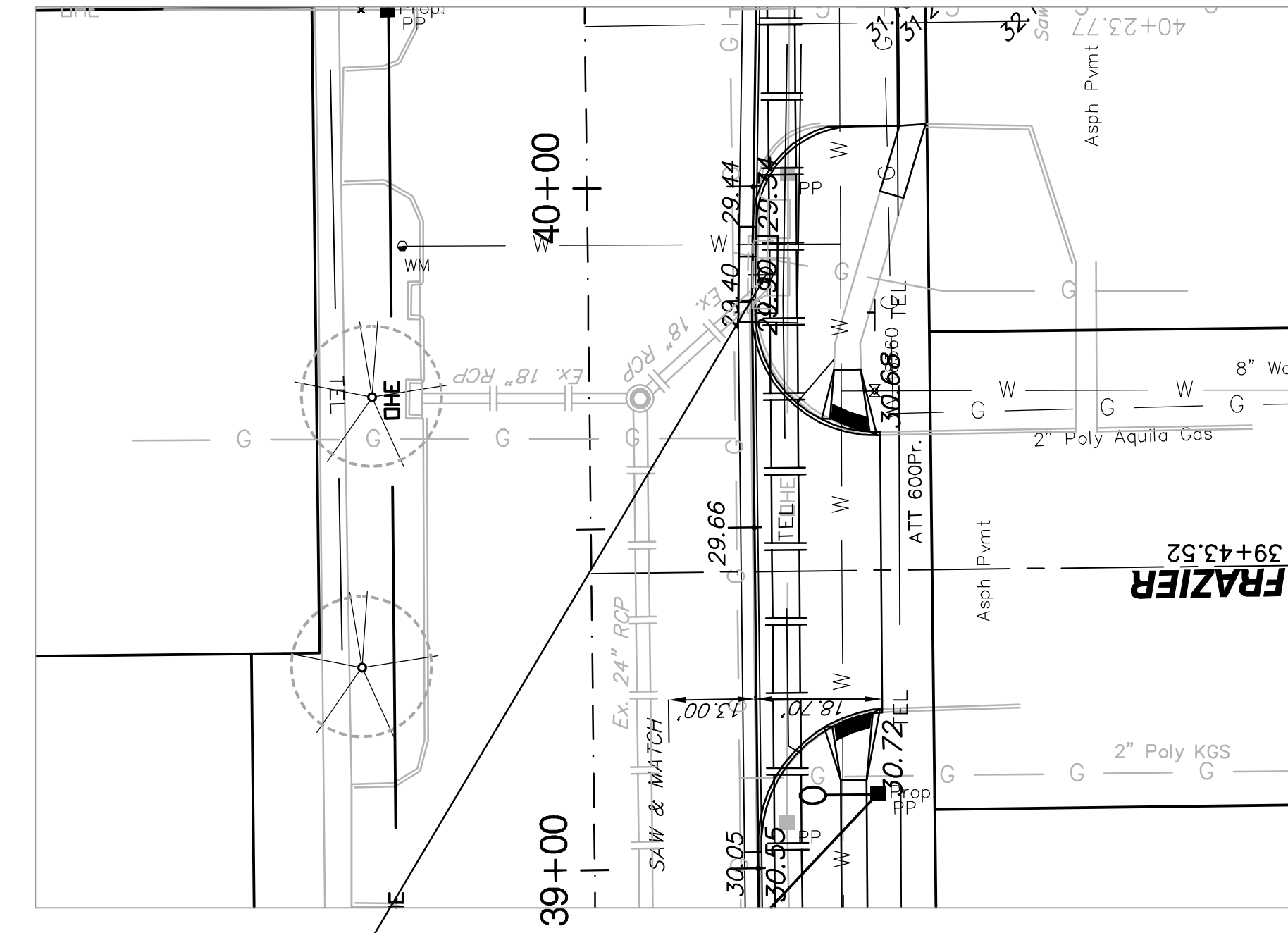


FHWA REGION NO.	STATE	PROJECT NO.	FISCAL YEAR	SHEET NO.	TOTAL SHEETS
7	KANSAS	87N-0378-01	2008	24	72



SCALE:
1" = 20' HORIZONTAL
1" = 5' VERTICAL

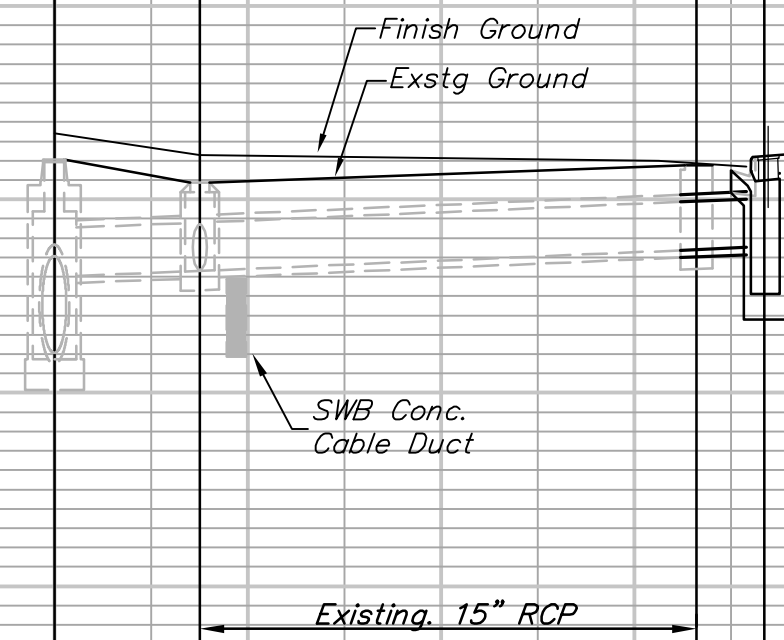
Sta 7+10.94, 52.65' Lt. BL. A
Remove Ex. Type 1A Inlet
Construct Type 1 Inlet (Double)
(11'4" x 4'4"). Extend Ex.
15" RCP (NE). Verify Depth.
Elev= 1331.37 Top



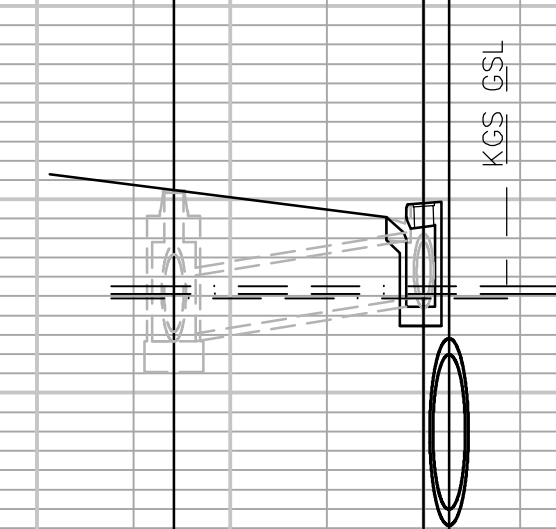
SCALE:
1" = 20' HORIZONTAL
1" = 5' VERTICAL

Sta 39+87.06, 26.00' Rt. BL. B
Remove Ex. 2.5'x5' dual Inlets.
Construct Type 1 Inlet (Double)
(11'4" x 4'4"). Connect to Ex.
18" RCP (W). Verify Depth.
Elev= 1332.01 Top

Sta 7+10.94, 52.65' Lt. BL. A
Remove Ex. Type 1A Inlet
Construct Type 1 Inlet (Double)
(11'4" x 4'4"). Extend Ex.
15" RCP (NE). Verify Depth.
Elev= 1331.37 Top



Sta 39+81.04 LINE 1
= Sta 39+87.06, 26.00' Rt. BL. B
Remove Ex. Dual Type 1A Inlets
Construct Type 1 Inlet (Double)
(11'4" x 4'4").
Connect to Ex. 18" RCP.
Elev= 1329.90 Top



Drawing File: E:\Eng\Central and tyler intersection\land\dwg\base.dwg
Design: T. Azlere
Drawn: Staff
Approved: J. F. Bradley
Scale: 1:20

Project No. 05-10E393 CAPITAL IMPROVEMENT PROJECT
Central and Tyler Intersection
SWS Line

Baughman Company, P.A.
315 Ellis St. Wichita, KS 67211 P 316-262-7271 F 316-262-0149
ENGINEERING | SURVEYING | PLANNING | LANDSCAPE ARCHITECTURE

MAY 2008
SHEET 24 OF 72