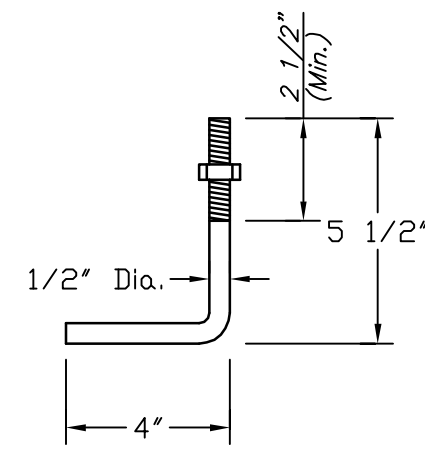


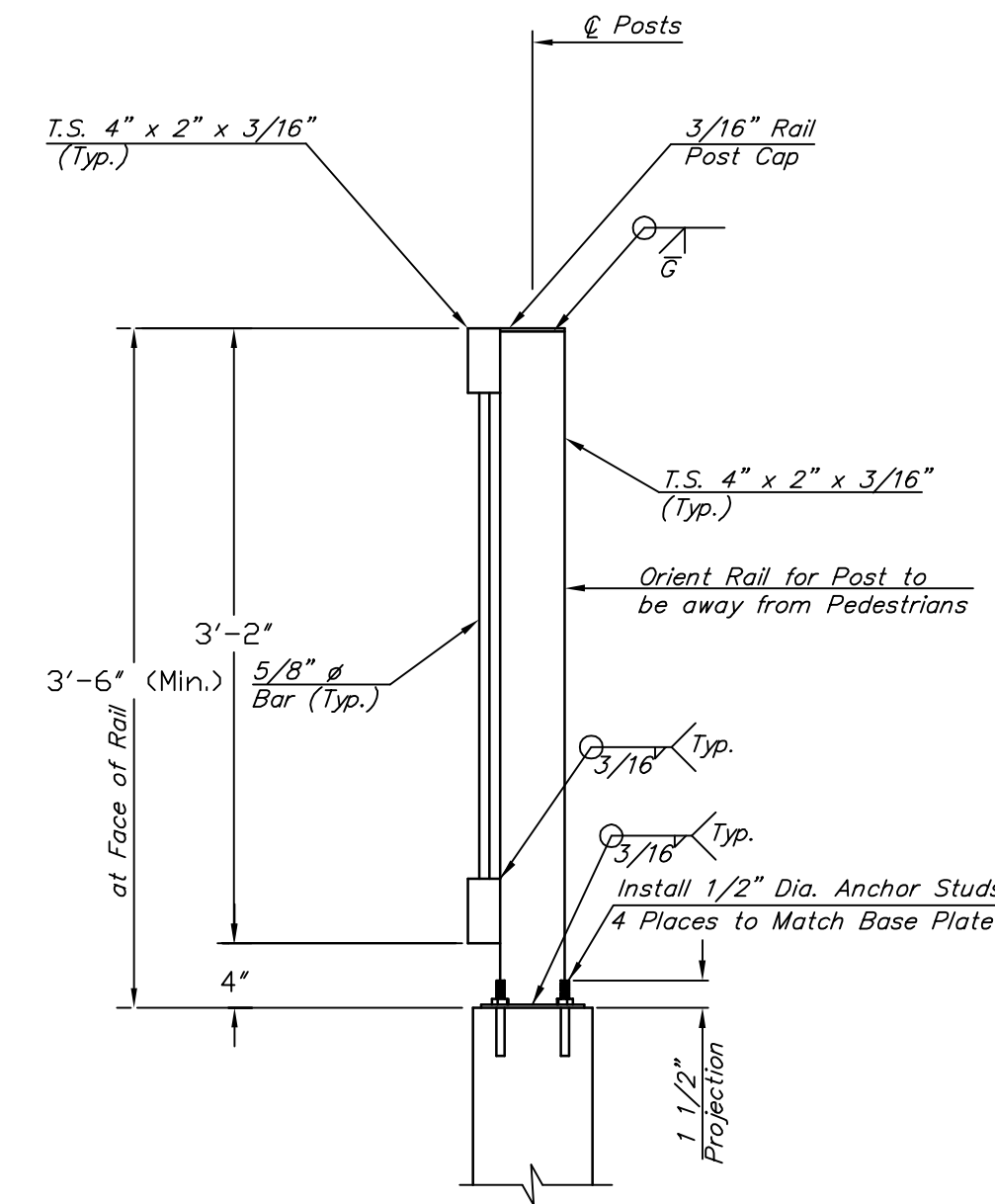
HHWA REGION NO.	STATE	PROJECT NO.	FISCAL YEAR	SHEET NO.	TOTAL SHEETS
7	KANSAS	87N-0378-01	2008	31	72



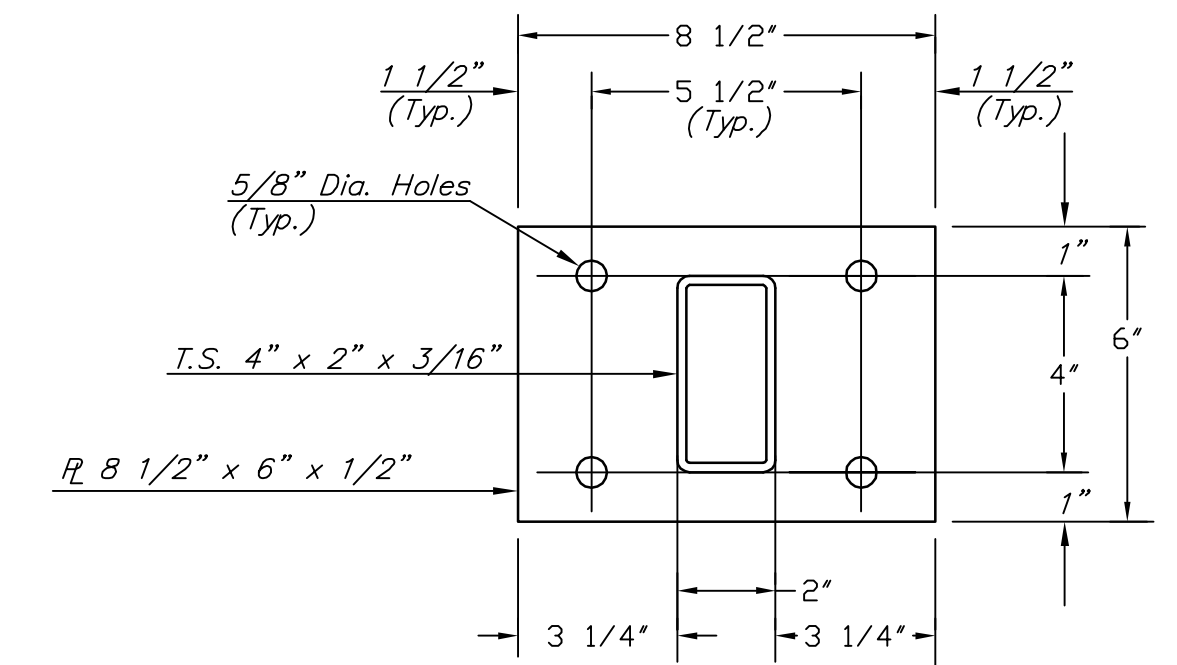
Galvanized (ATSM A153)
(May Substitute expandable anchor bolts when approved by the Engineer)

ANCHOR BOLT

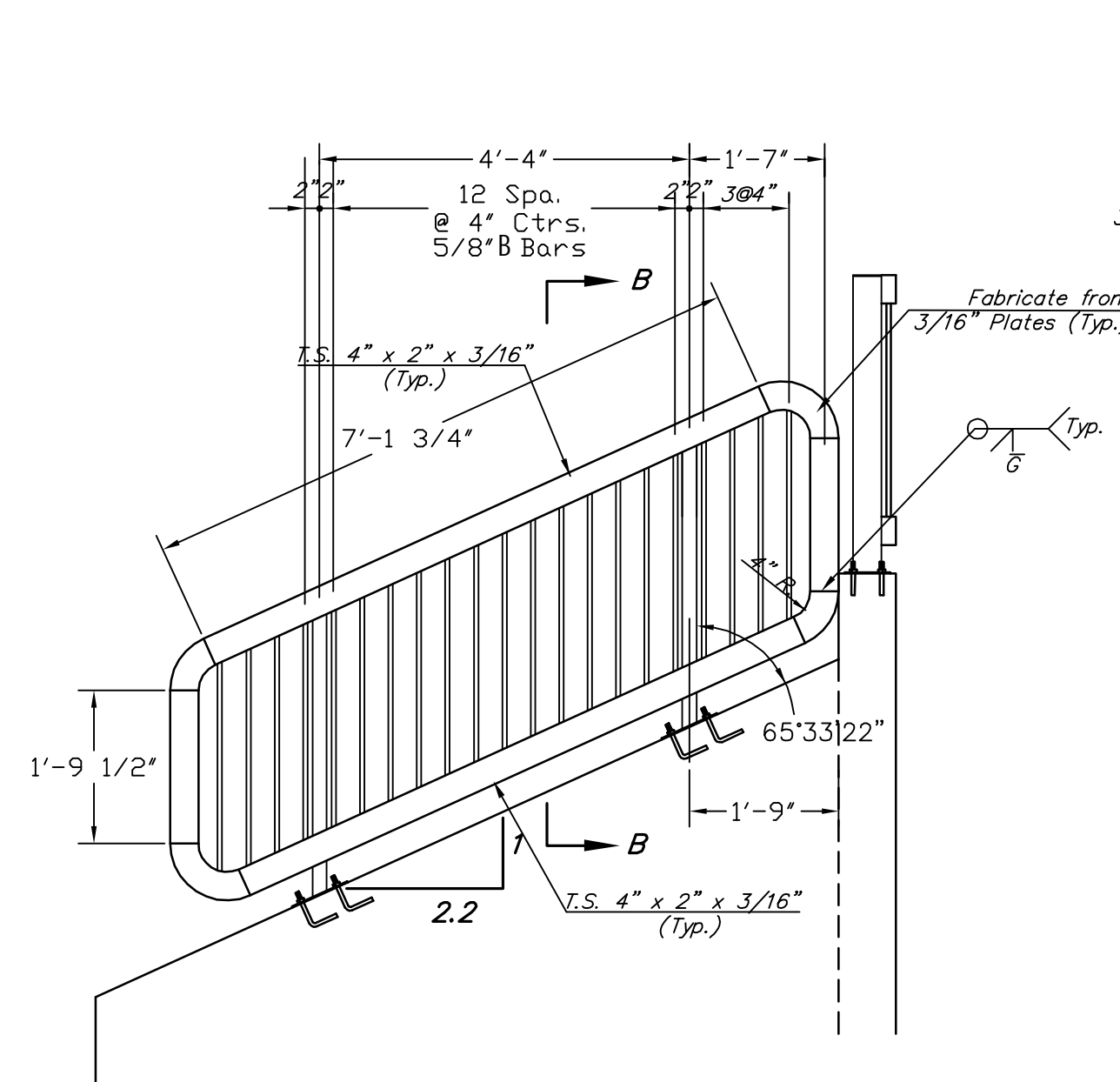
Scale 2 1/2" = 1"
Orient to provide min. 2" edge clearance to either wall face or adjacent bolts



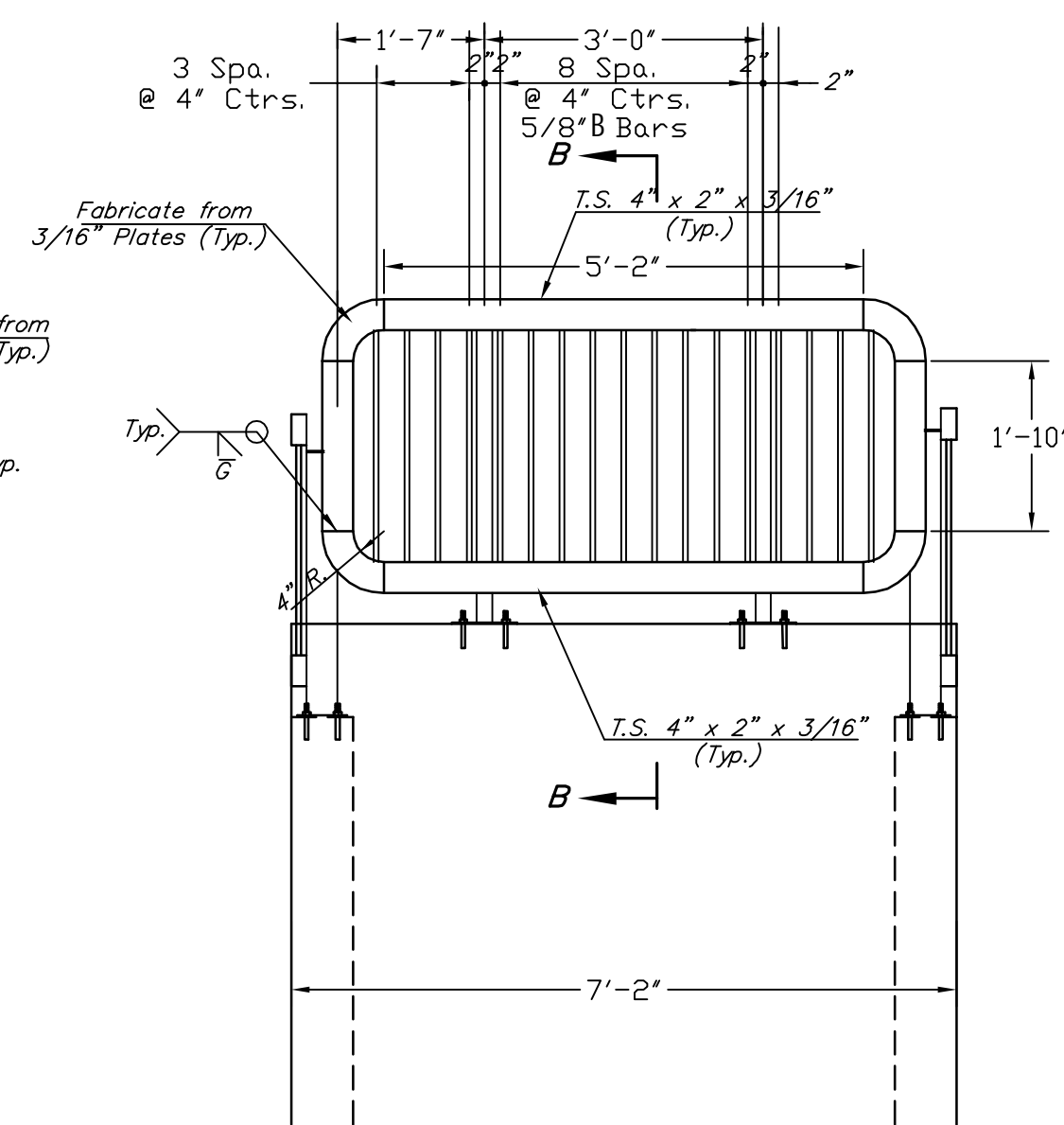
SECTION B-B
Scale 1" = 1'



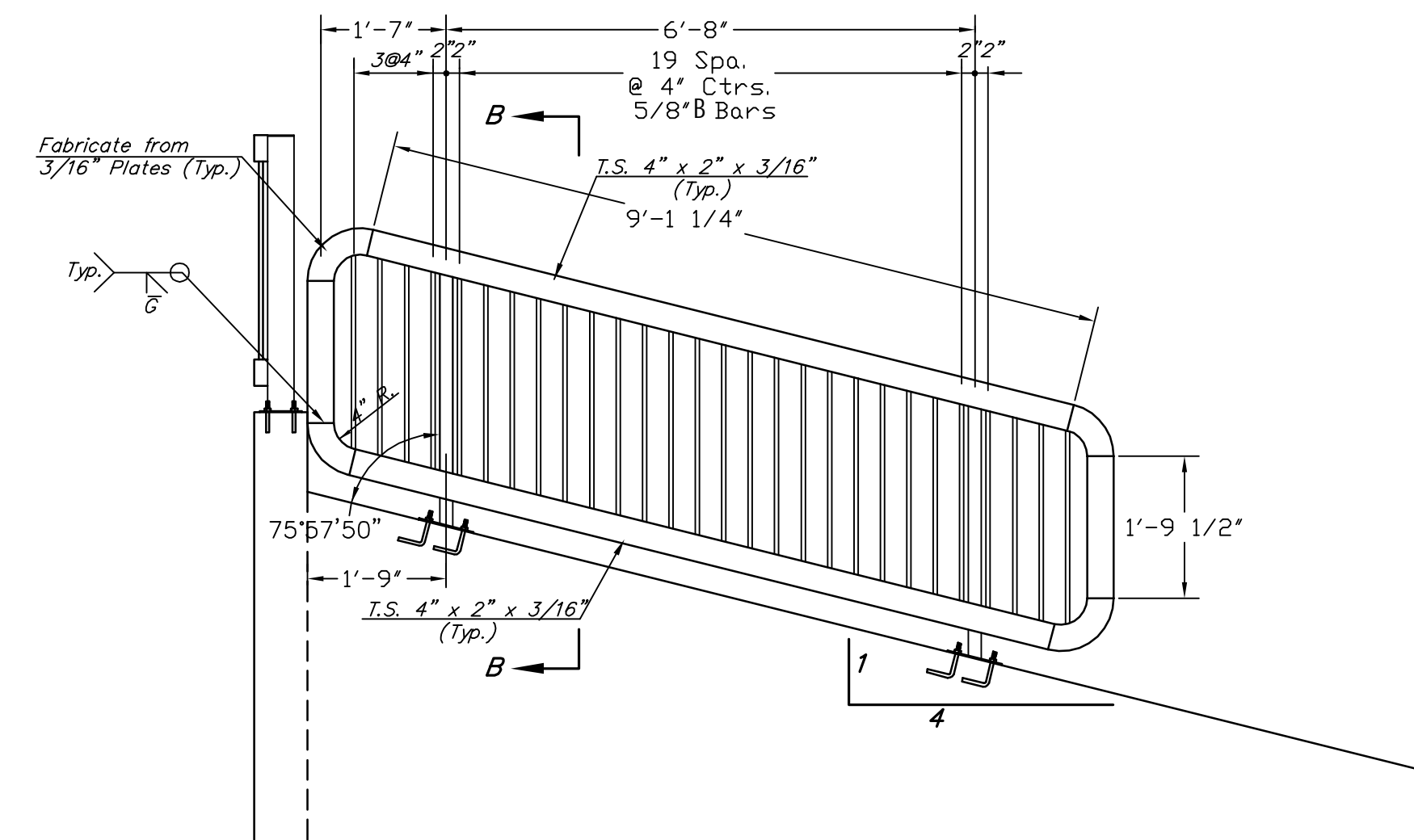
BASE PLATE
Scale 3" = 1'



LH WINGWALL HANDRAIL VIEW
Scale 1/2" = 1'



HEADWALL HANDRAIL VIEW
Scale 1/2" = 1'



RH WINGWALL HANDRAIL VIEW
Scale 1/2" = 1'

GENERAL NOTES

The horizontal members of the rail and posts shall be hollow structural tubing. All structural steel and tubing shall comply to A.S.T.M. Designation A36 or A500 Grade B respectively.

Rail shall be fabricated in lengths as shown.

Posts and bars shall be set vertical and shimmed if required.

The handrail shall be painted shop and field with an inorganic zinc-vinyl paint system complying with the Standard Specifications for State Road and Bridge Construction, 1990 Edition Kansas Department of Transportation.

All Handrail Components shall be painted BLACK (c900-Carboline)

Material and construction shall conform to the Structural Welding Code A.W.S. D1.1-88.

Shop details must be submitted and approved by the Engineer.

Drawing File: E:\eng\Central & Tyler Intersection\Details\Handrail.dwg

Design: KK
Drawn: TCA
Approved: JFB
Scale: NOTED

Project No. 05-10E393 CAPITAL IMPROVEMENT PROJECT

HANDRAIL DETAILS

SOUTH OF CENTRAL & TYLER INTERSECTION

Baughman Company, P.A.
315 Ellis St. Wichita, KS 67211 P 316-262-7271 F 316-262-0149
Baughman ENGINEERING | SURVEYING | PLANNING | LANDSCAPE ARCHITECTURE

MAY 2008

SHEET
OF 31
72