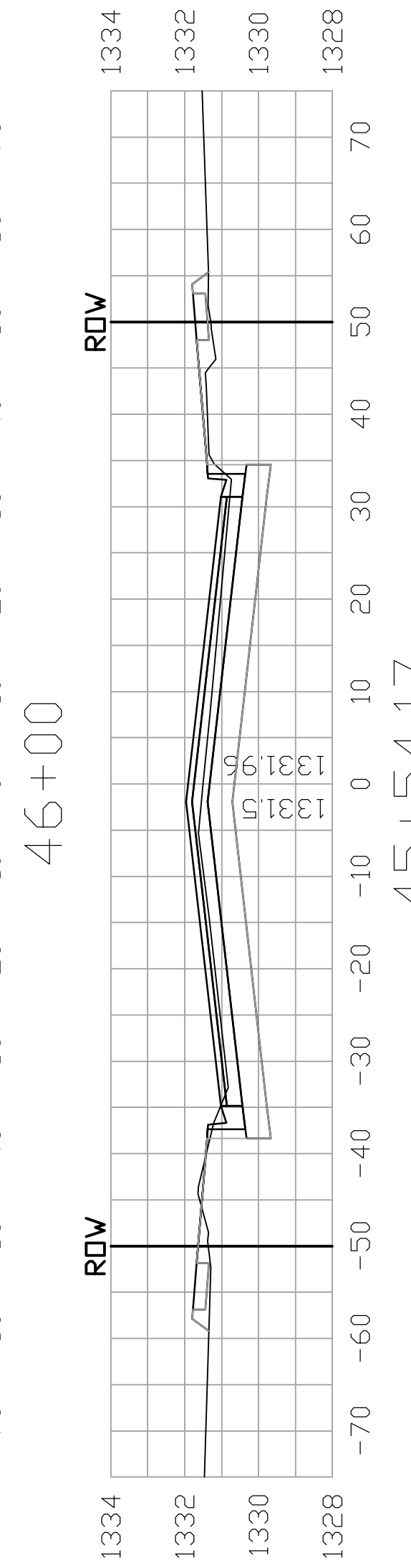
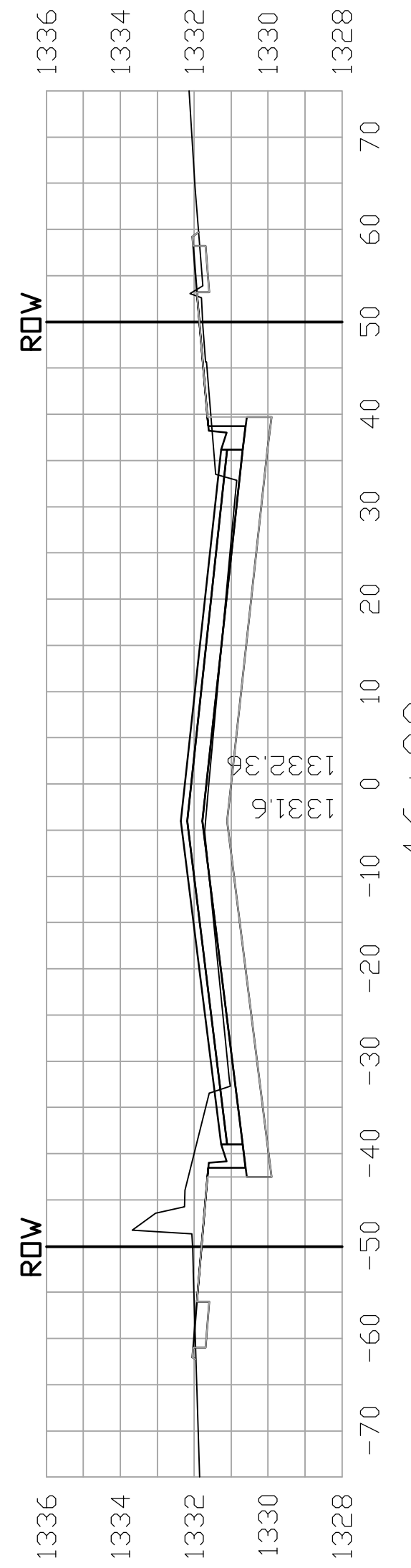
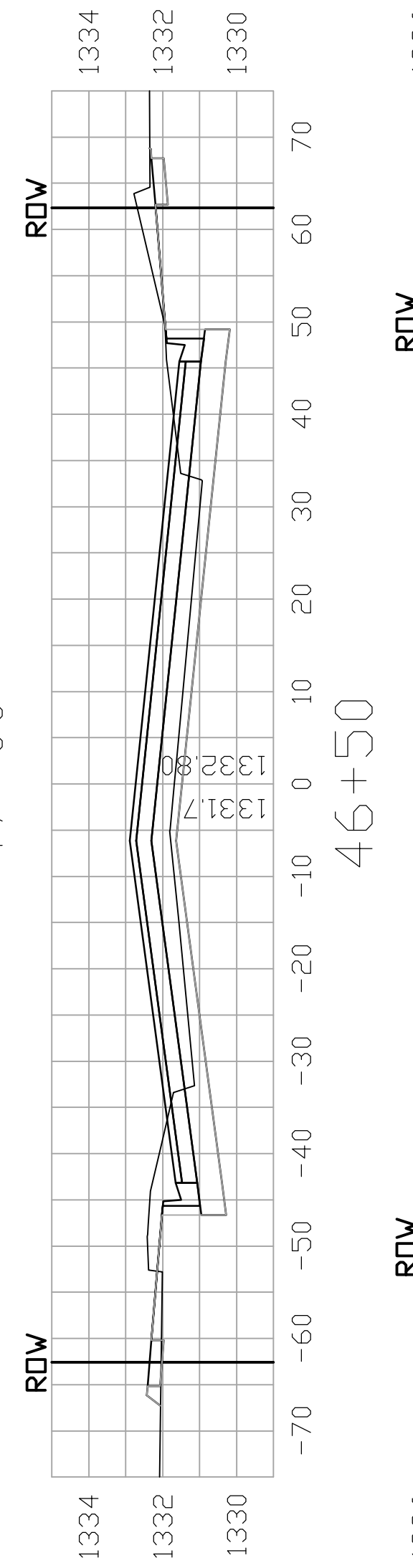
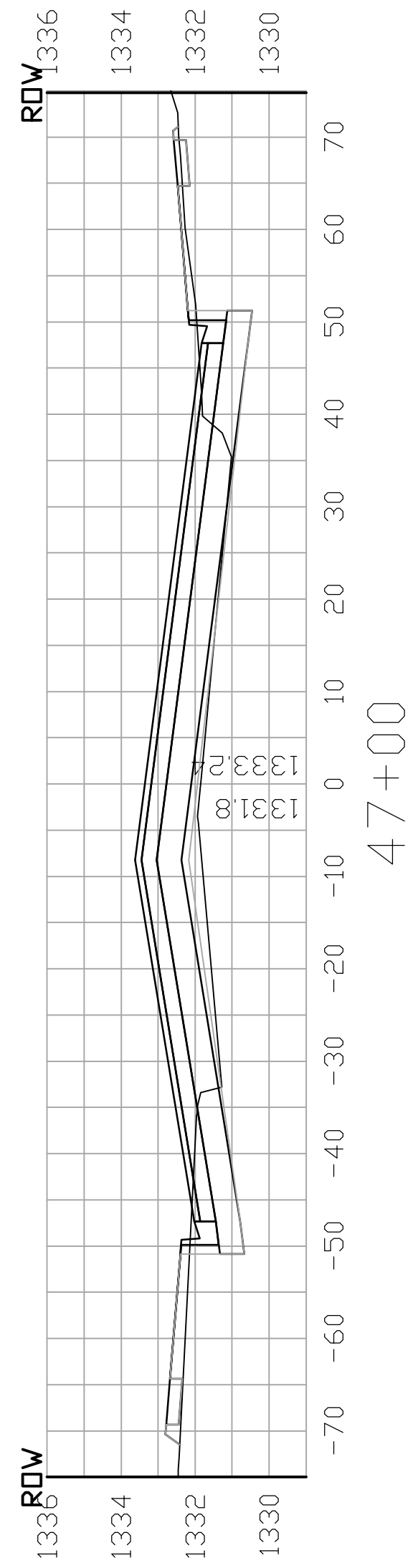
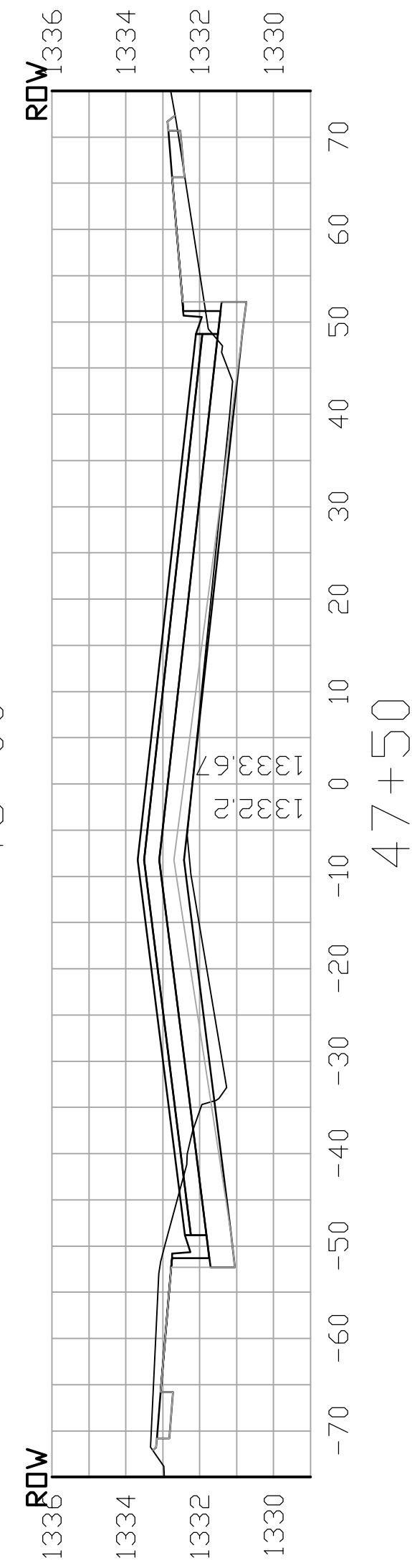
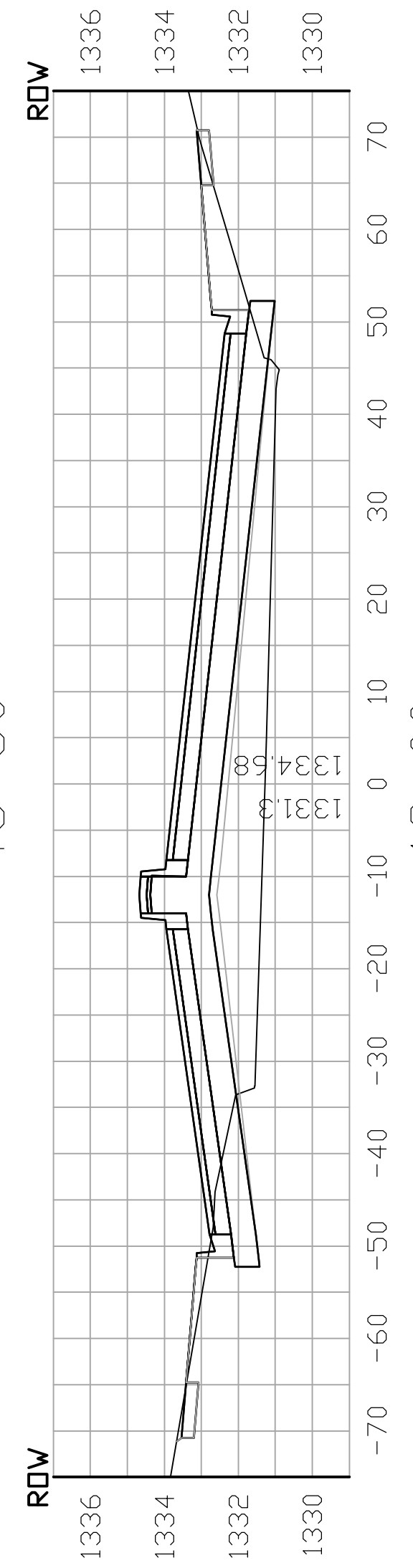
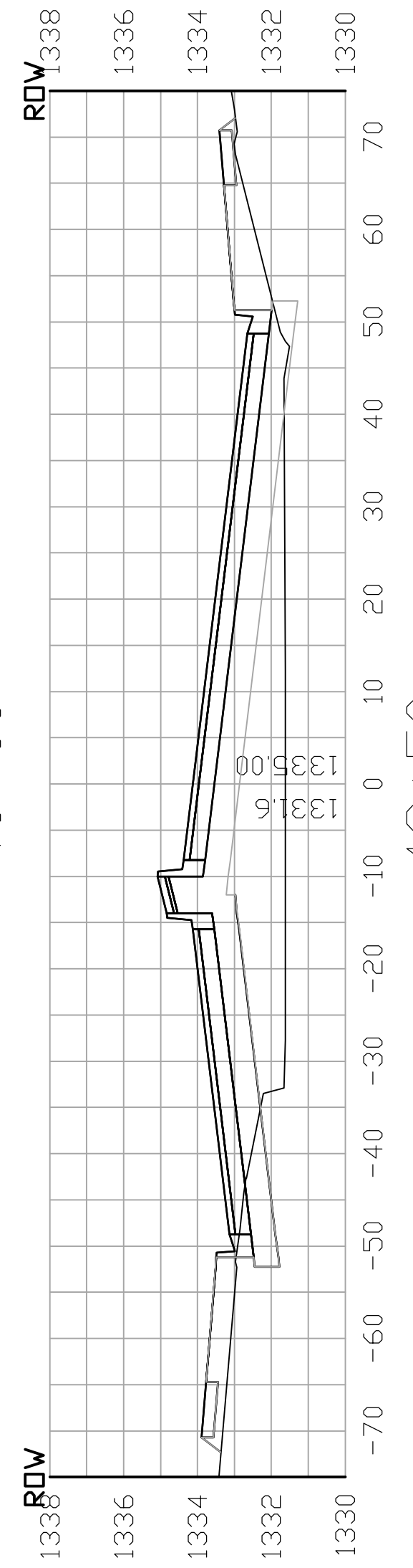
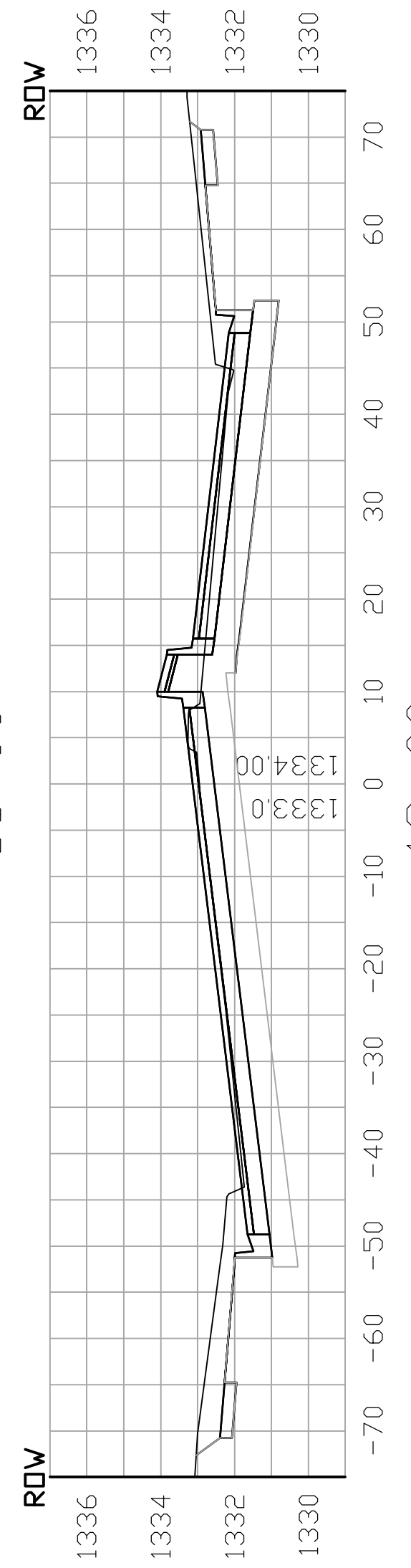
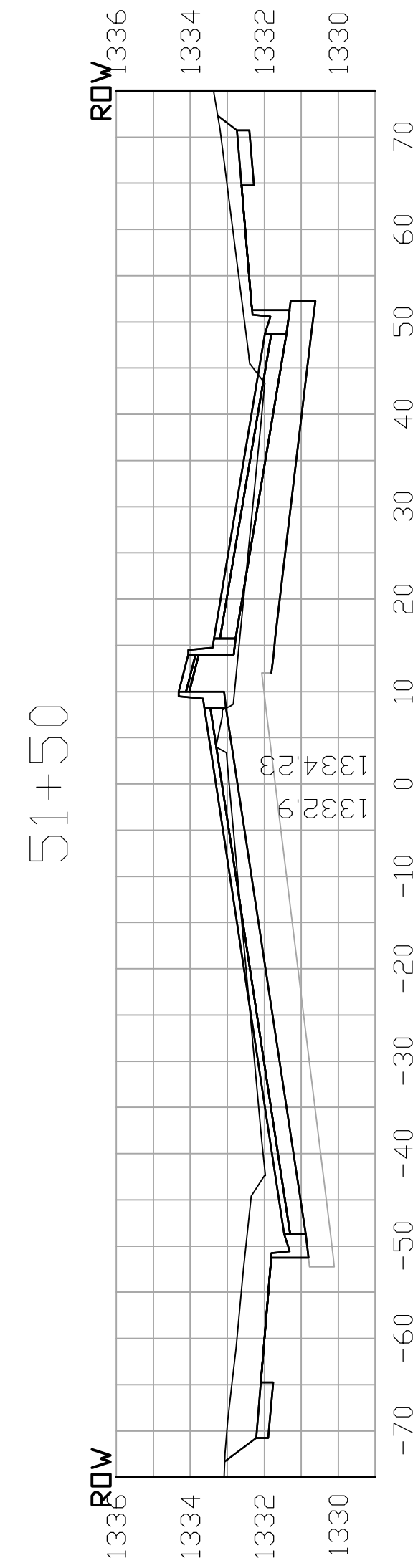


HHWA REGION NO.	STATE	PROJECT NO.	FISCAL YEAR	SHEET NO.	TOTAL SHEETS
7	KANSAS	87N-0378-01	2008	70	72

0 5 10  
SCALE: 1" = 10'



Drawing File: E:\eng\central and tyler intersection\Land\Bse

Design: T. Azlere  
Drawn:  
Approved: J. F. Bradley  
Scale: 1:20

Project No. 05-10E393 CAPITAL IMPROVEMENT PROJECT

### Tyler Road Cross Sections

PAVEMENT, STORM WATER SEWER, TRAFFIC CONTROL IMPROVEMENTS

**Baughman Company, P.A.**  
315 Ellis St. Wichita, KS 67211 P 316-262-7271 F 316-262-0149  
ENGINEERING | SURVEYING | PLANNING | LANDSCAPE ARCHITECTURE

MAY 2008

SHEET 70  
OF 72