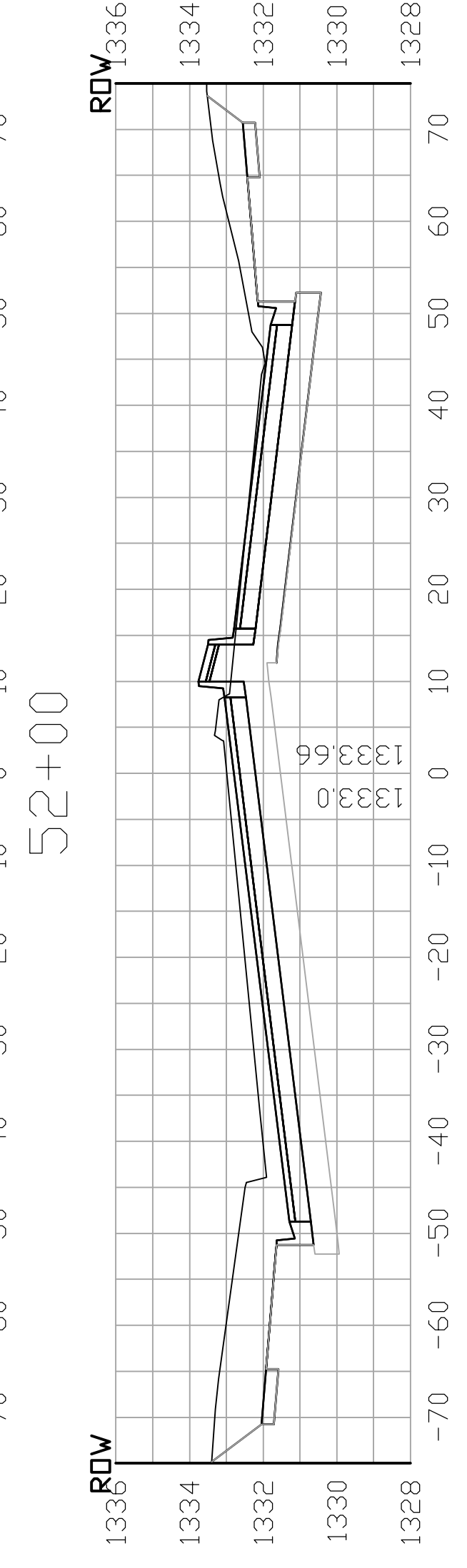
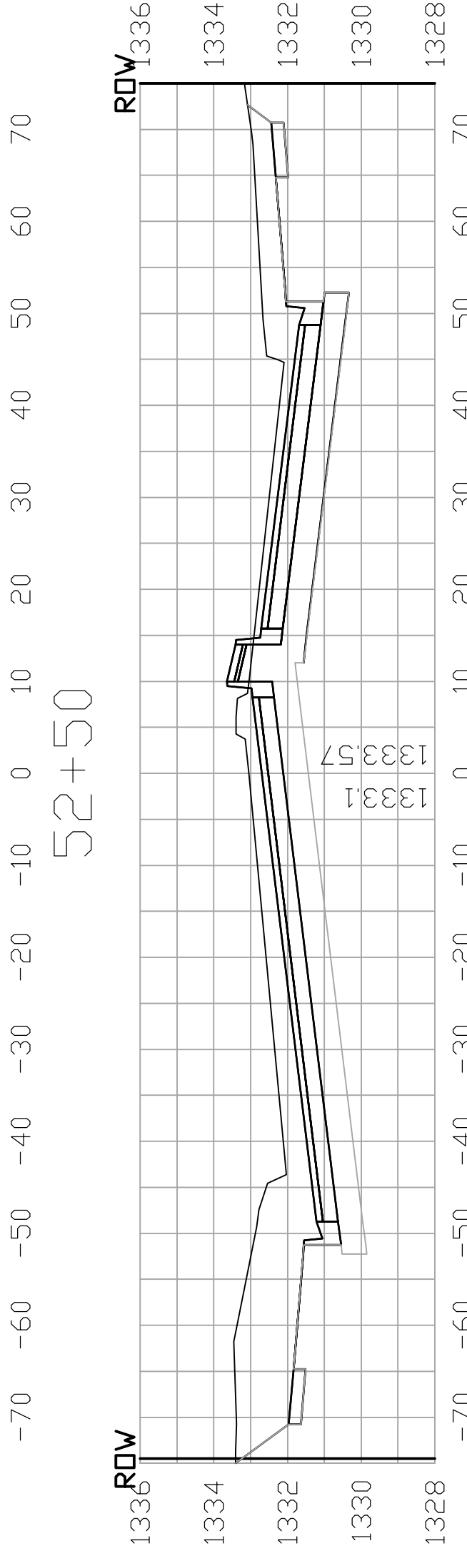
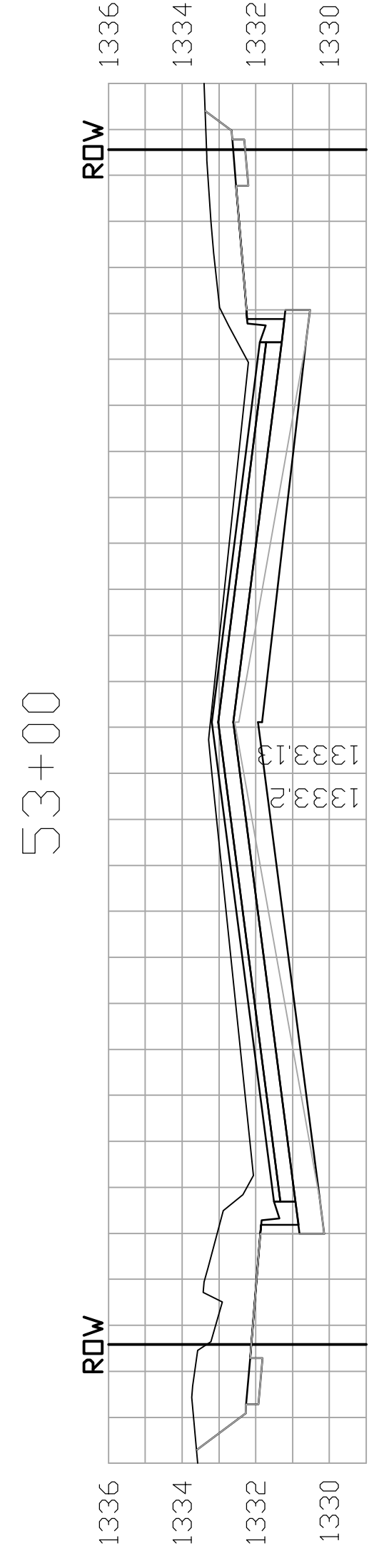
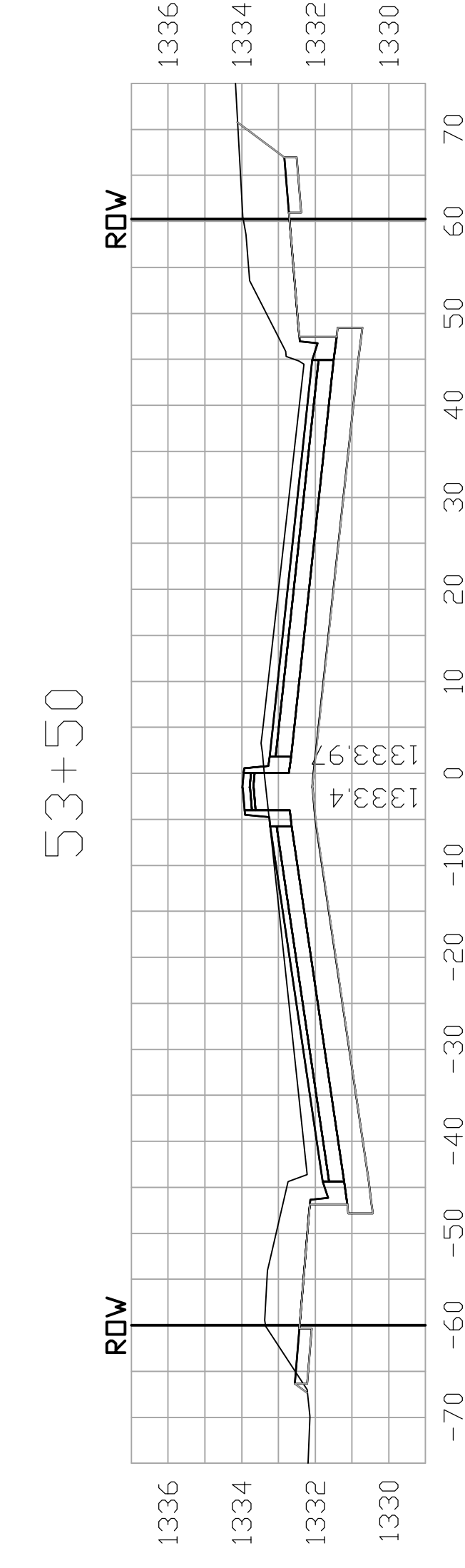
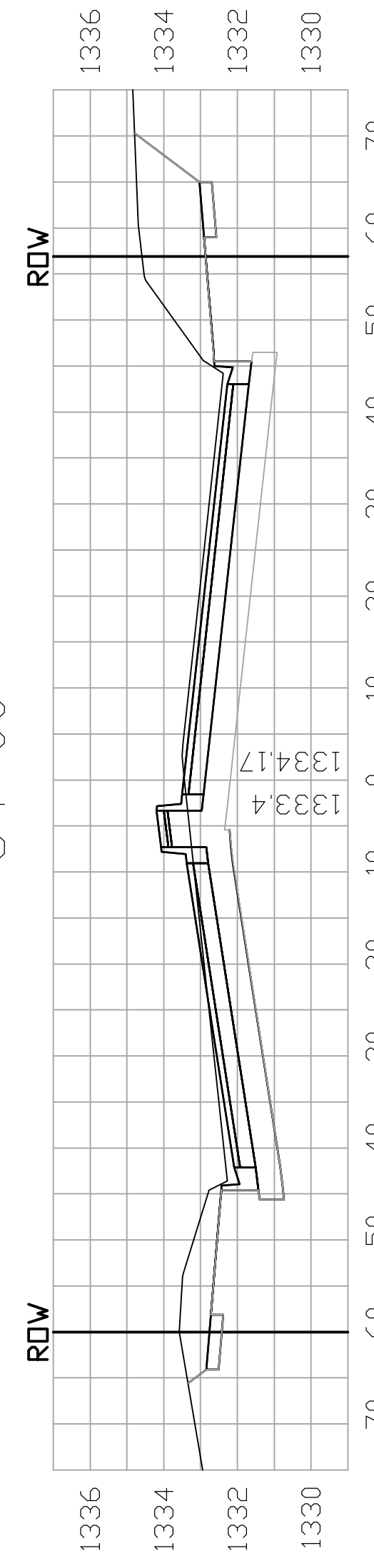
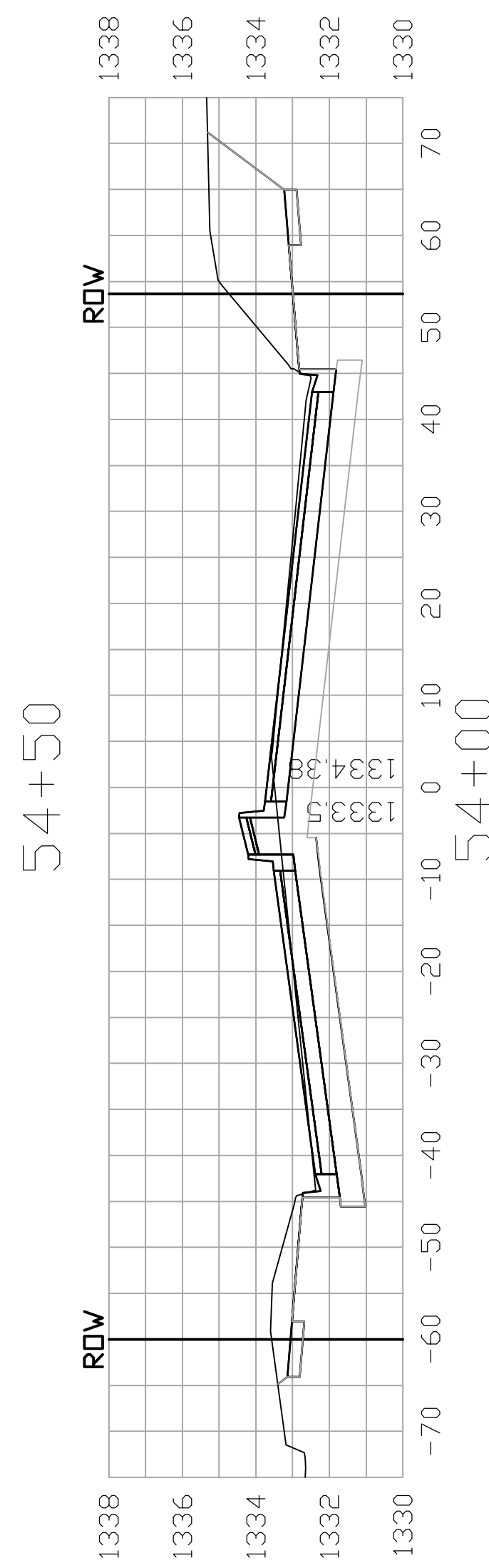
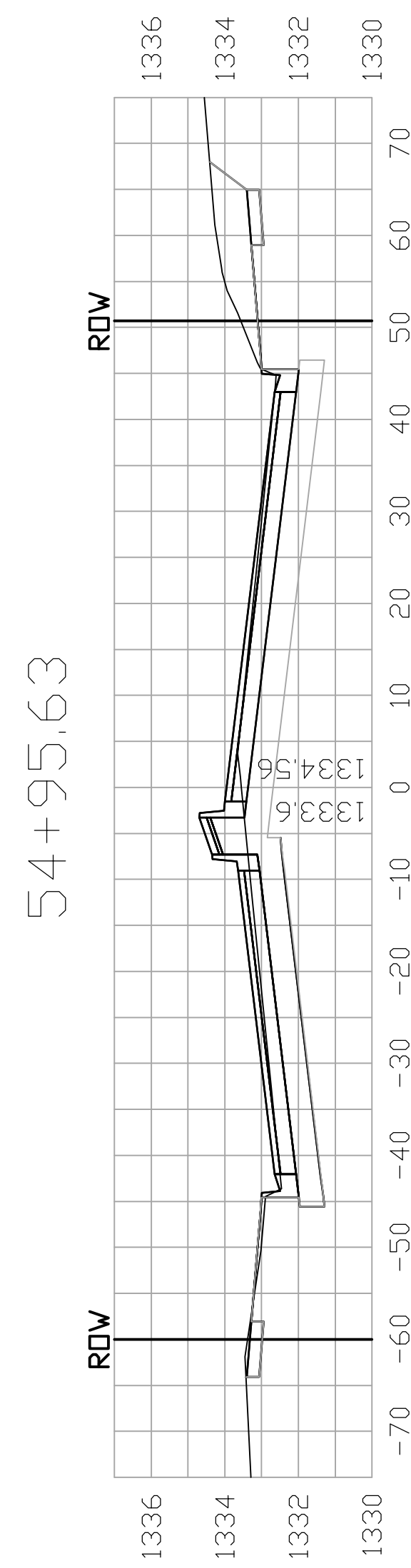


HHWA REGION NO.	STATE	PROJECT NO.	FISCAL YEAR	SHEET NO.	TOTAL SHEETS
7	KANSAS	87N-0378-01	2008	71	72

0 5 10
SCALE: 1" = 10'



Drawing File: E:\eng\central and tyler intersection\Land\Bases

Design: T. Azlere
Drawn:
Approved: J. F. Bradley
Scale: 1:20

Project No. 05-10E393 CAPITAL IMPROVEMENT PROJECT
Tyler Road Cross Sections
PAVEMENT, STORM WATER SEWER, TRAFFIC CONTROL IMPROVEMENTS

Baughman Company, P.A.
315 Ellis St. Wichita, KS 67211 P 316-262-7271 F 316-262-0149
Baughman ENGINEERING | SURVEYING | PLANNING | LANDSCAPE ARCHITECTURE

MAY 2008
SHEET 71
OF 72