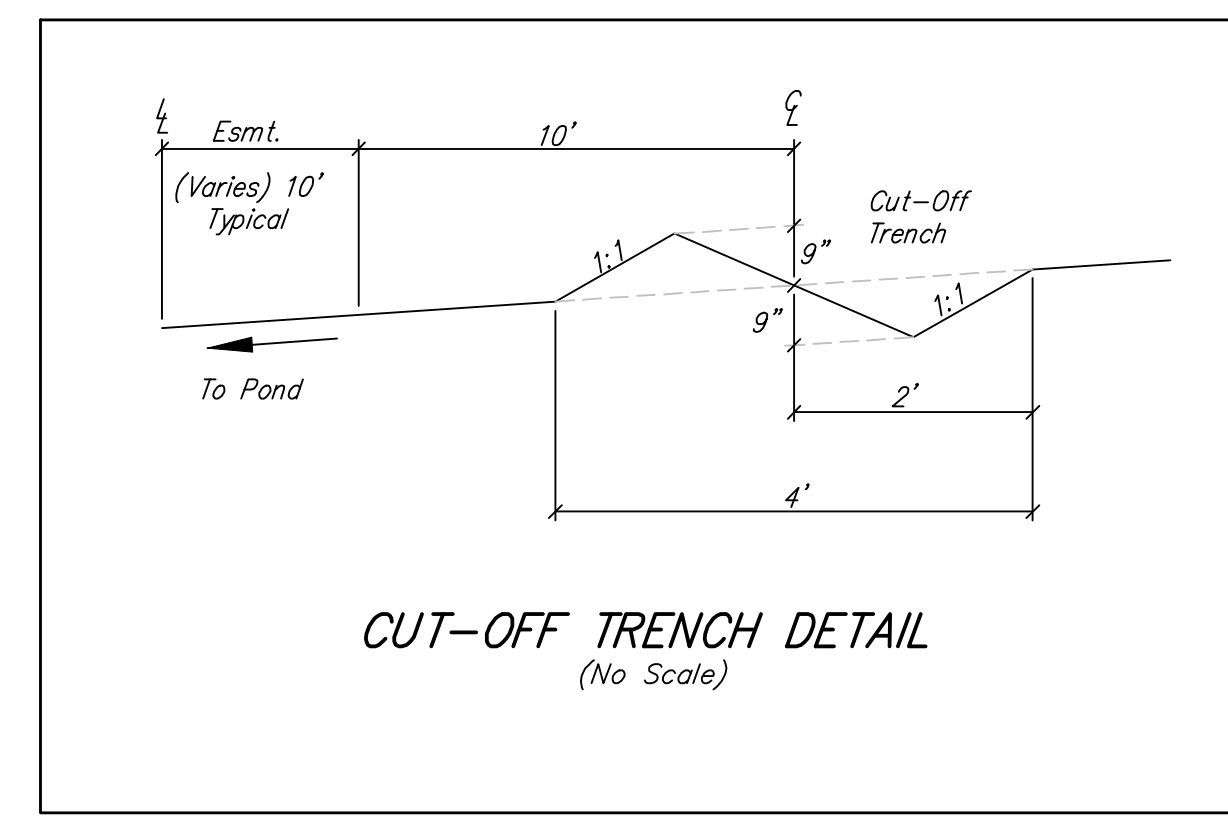
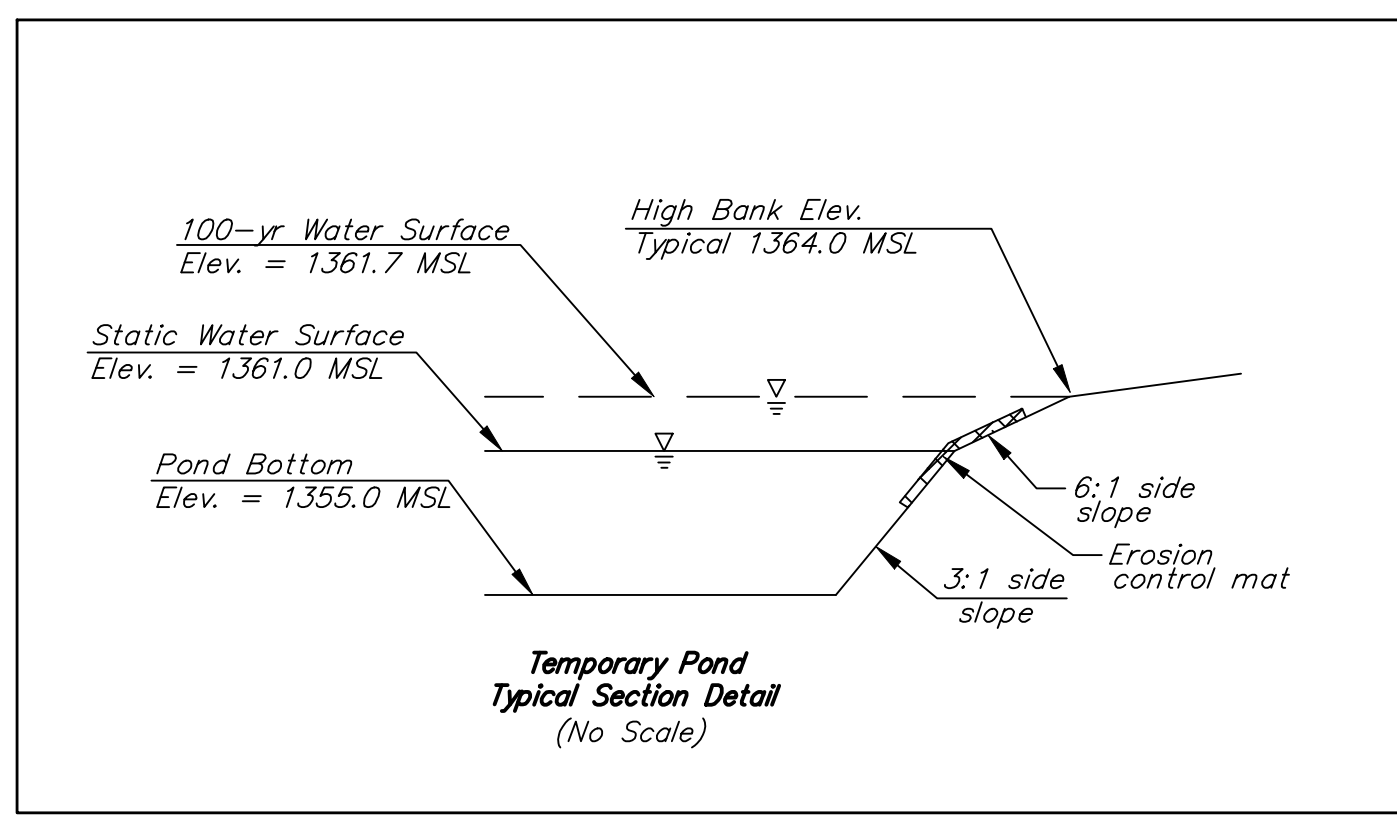
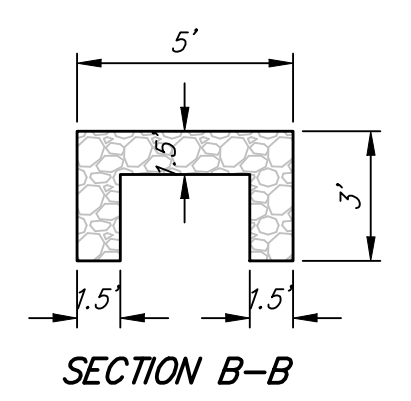
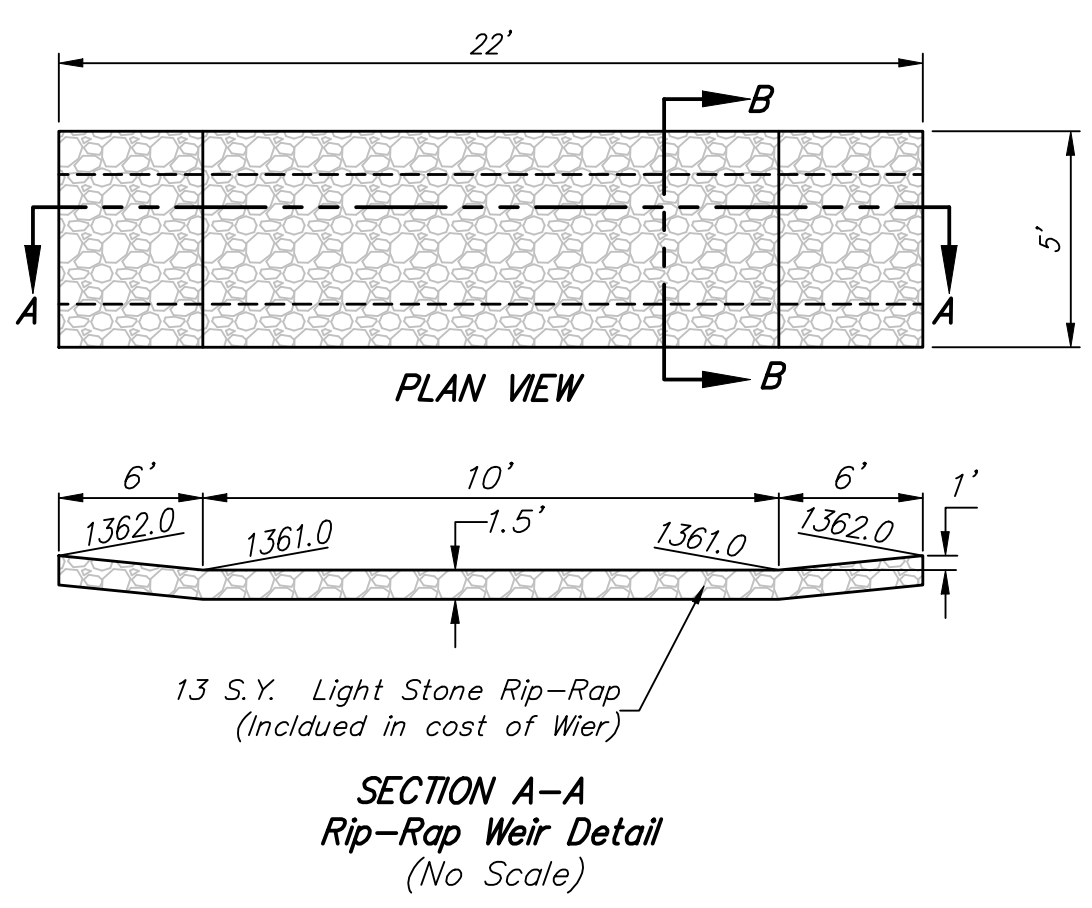


Scale: 1" = 60'

**EROSION CONTROL PLAN LEGEND**  
(Installation Details Found in the SWP2 Plan)

- DROP INLET PROTECTION
- CURB INLET PROTECTION
- DITCH CHECKS
- SILT FENCING
- CUT-OFF TRENCH
- BACK OF CURB PROTECTION
- EROSION CONTROL MAT

NO SCALE



**Baughman** Engineering, Inc.

Silverton Addition - Phase III  
**EROSION CONTROL PLAN**  
Street / SWS Improvements

Baughman Company, P.A. 315 Ellis St. Wichita, KS 67211 P 316-262-7271 F 316-262-0149  
ENGINEERING | SURVEYING | PLANNING | LANDSCAPE ARCHITECTURE

PROJECT NUMBER 472-84461	DESIGN JAK	DRAWN JAK
REVISIONS:	APPROVED	DATE 7/14/08
SCALE Noted		SHEET <b>28 OF 42</b>

Silverton\Phase 3\Str\_Erosion\_Emaged.dwg