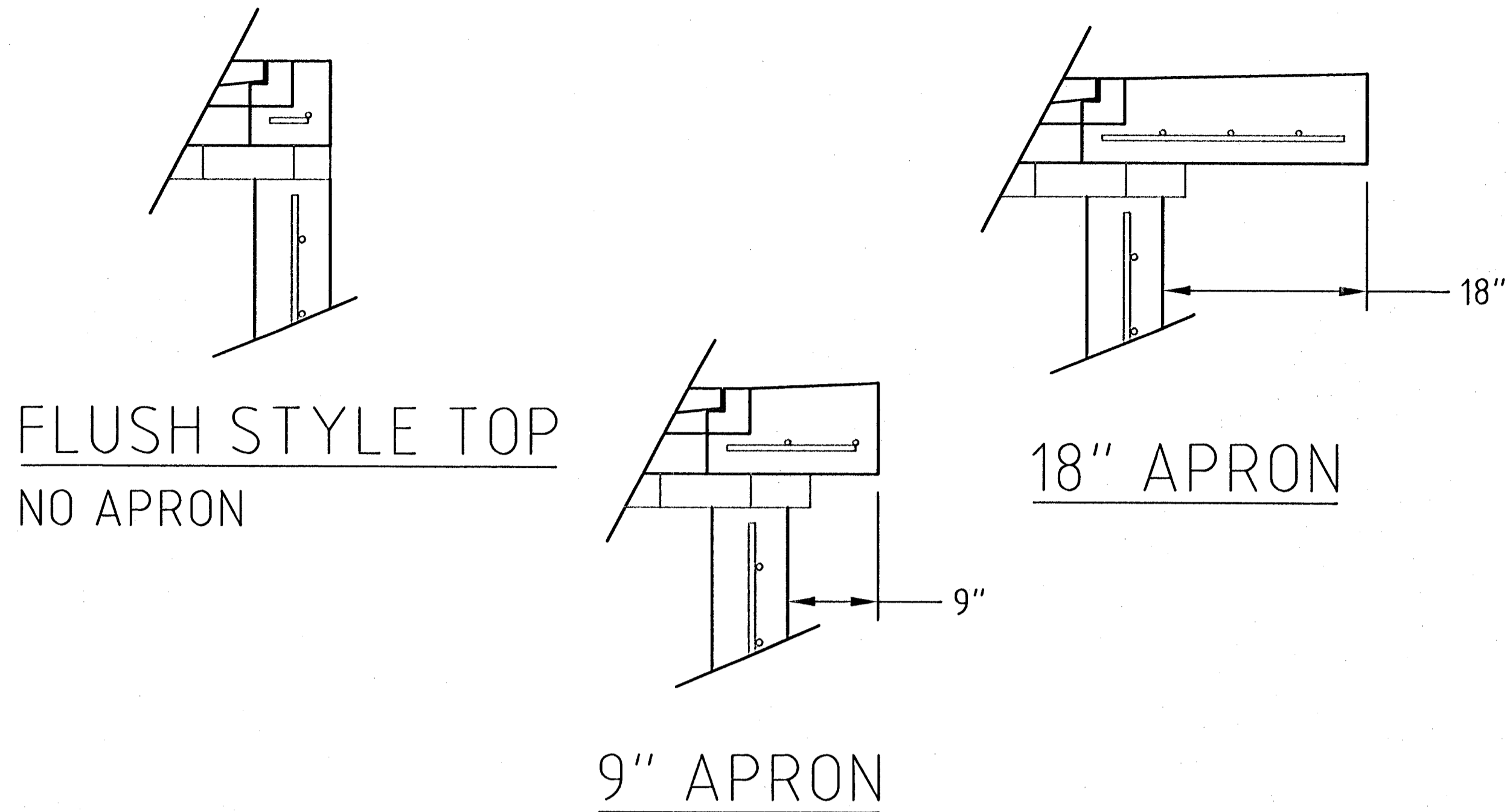
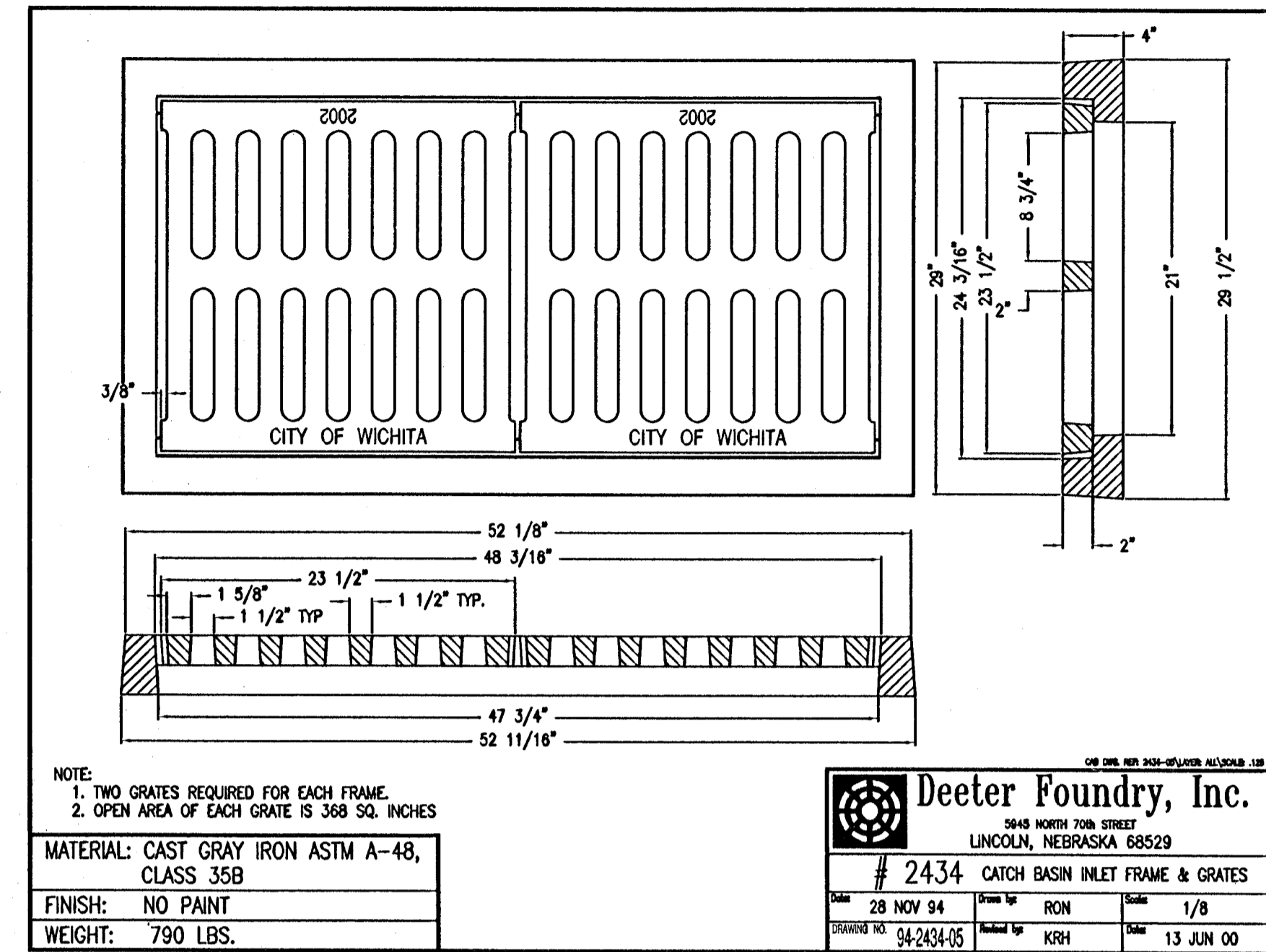


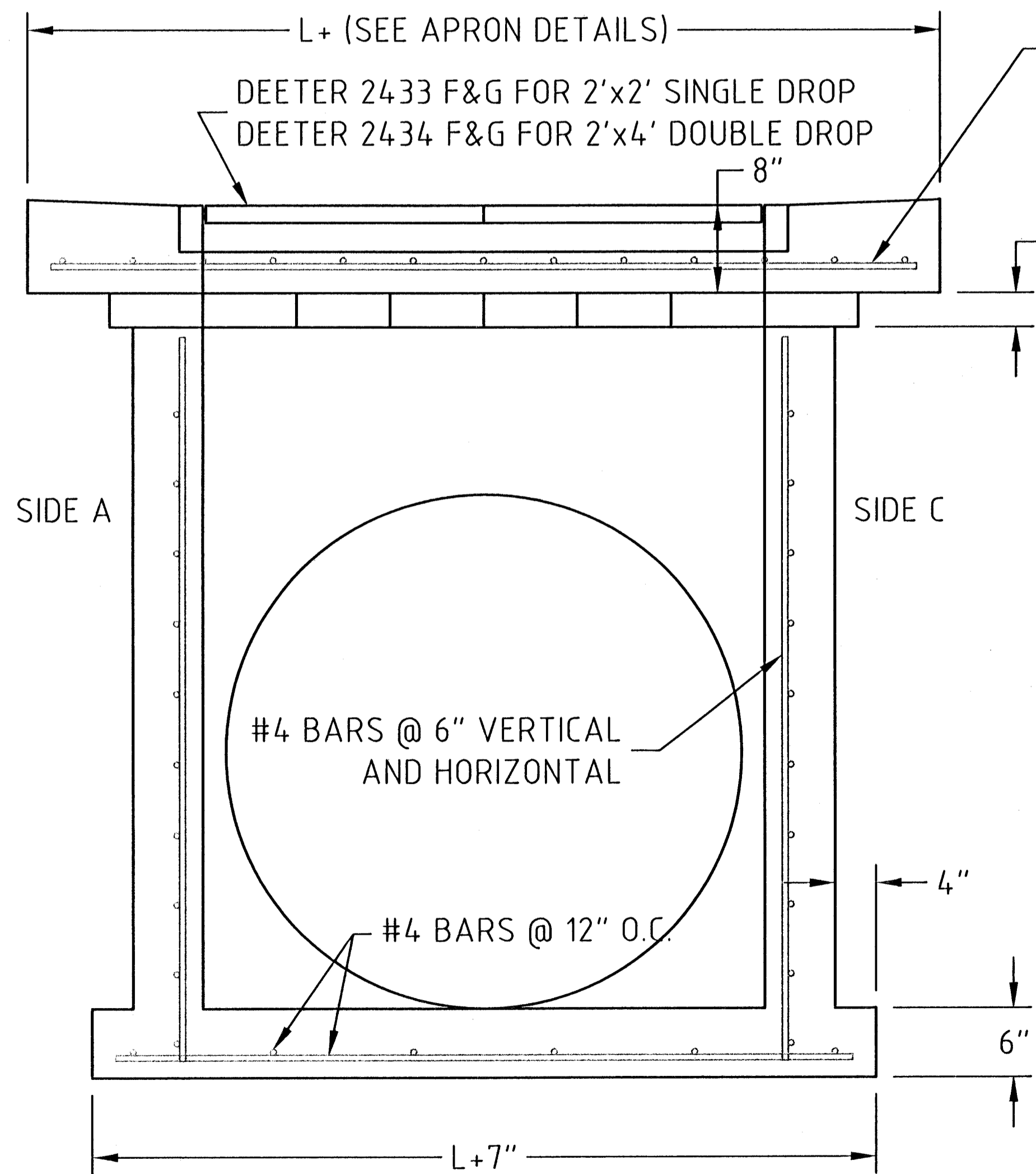
TOP VIEW



APRON TO EXTEND ON ALL 4 SIDES OF INLET

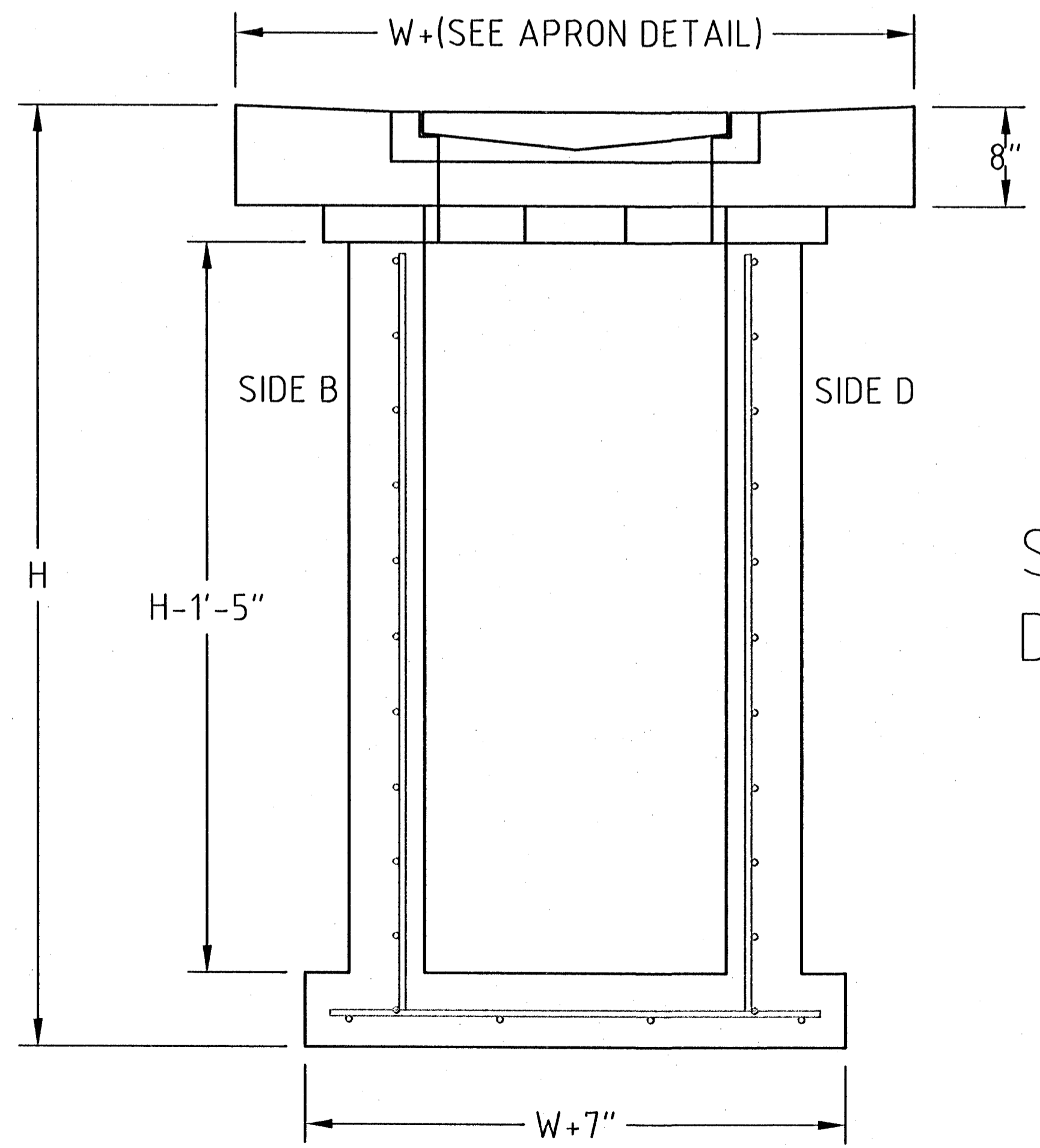


Deeter Foundry, Inc.
 2648 NORTH 70th STREET
 LINCOLN, NEBRASKA 68529
 # 2434 CATCH BASIN INLET FRAME & GRATES
 DATE: 28 NOV 94 DRAWN BY: RON SCALE: 1/8
 CHECKED BY: KRH DATE: 13 JUN 00



SECTION "A-A"

TOP REINFORCING - #4 BARS @ 6" O.C. EACH DIRECTION, 2" CLEAR FROM BOTOM FACE
 3" +/- BRICK ADJUSTMENT BRICK TO BE SUPPLIED BY CONTRACTOR



SECTION "B-B"

SINGLE DROP = 2' x 2' INSIDE
 DOUBLE DROP = 2' x 4' INSIDE

WICHITA CONCRETE PIPE COMPANY
 221 W. 37th St. North, Wichita, KS. 67204 (316)-838-8651
SINGLE / DOUBLE DROP INLET
CITY OF WICHITA DOUBLE DROP & SINGLE DROP AREA INLET
C-11.6