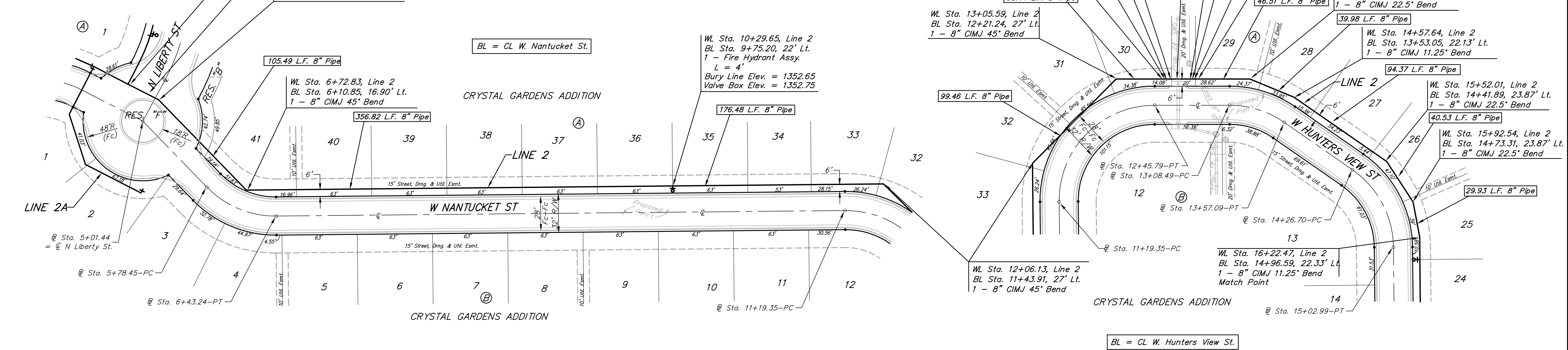
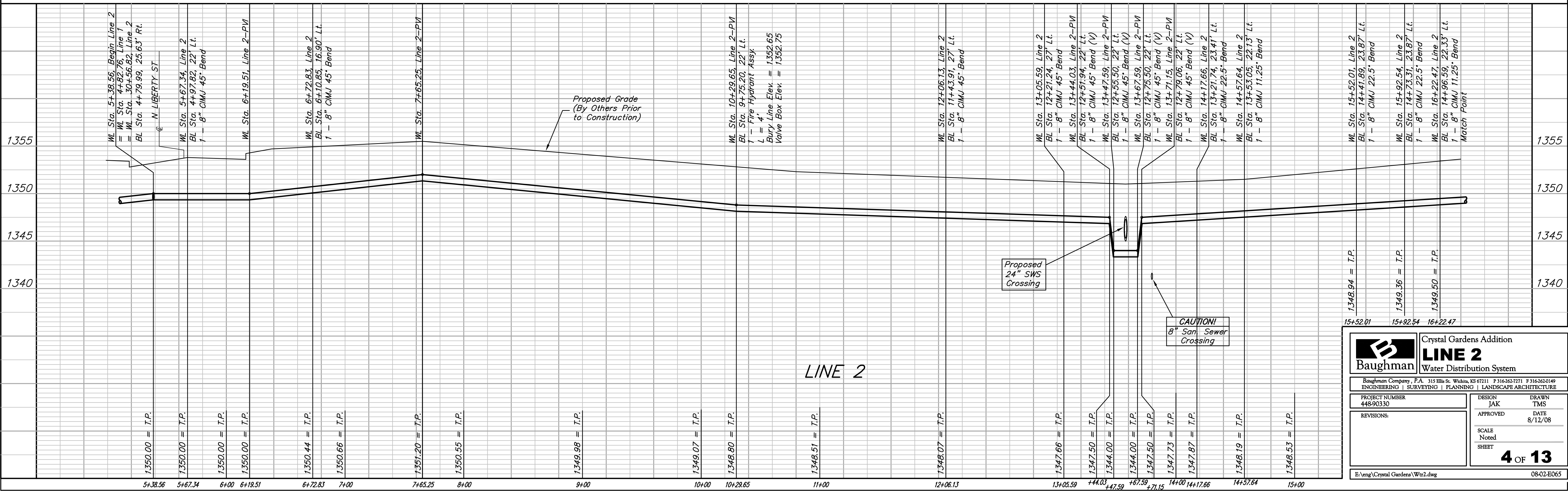


**Benchmark:**  
 "□" Cut On Top of Curb, West Side of Forestview, East of Fire Hydrant, and Along Easterly Extension of the South Line of Lot 2, Block A, Liberty Park 2nd Addition.  
 Elev. = 1347.62 NGVD29

City of Wichita Benchmark Southwest Corner of 13th St N and 135th St W 30' South and 35' West Intersection. East Side of Concrete Base for Highline Pole.  
 Elev. = 1355.65 NGVD29



Scale: 1" = 40' Horizontal  
 1" = 5' Vertical  
 • = Iron



		Crystal Gardens Addition	
		<b>LINE 2</b>	
Baughman Engineering, P.A. 315 Ellis St. Wichita, KS 67211 P 316-262-7271 F 316-262-0149		ENGINEERING   SURVEYING   PLANNING   LANDSCAPE ARCHITECTURE	
PROJECT NUMBER 448-90330	DESIGN JAK	DRAWN TMS	
REVISIONS:	APPROVED	DATE 8/12/08	
	SCALE Noted		
	SHEET		<b>4 OF 13</b>
E:\eng\Crystal Gardens\Wtr2.dwg		08-02-ED05	