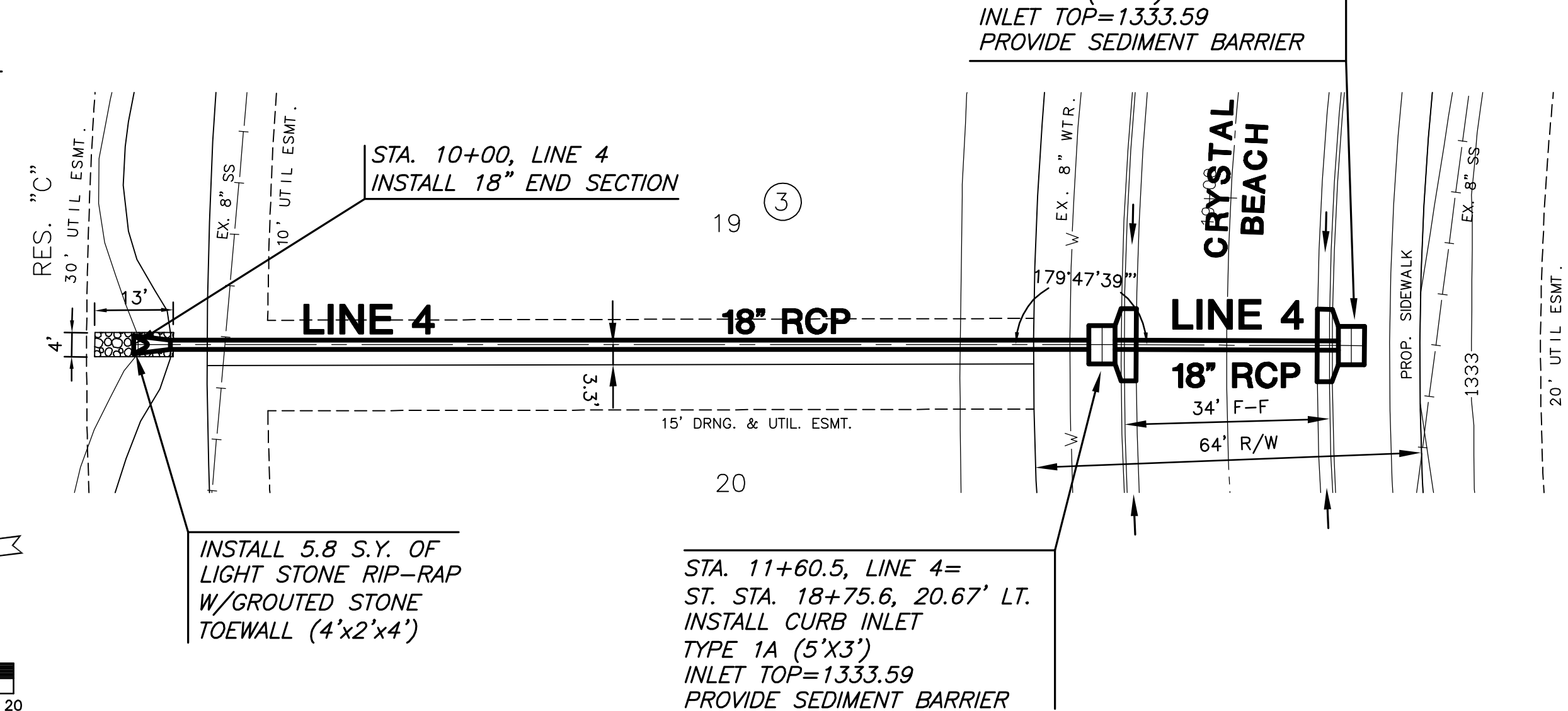
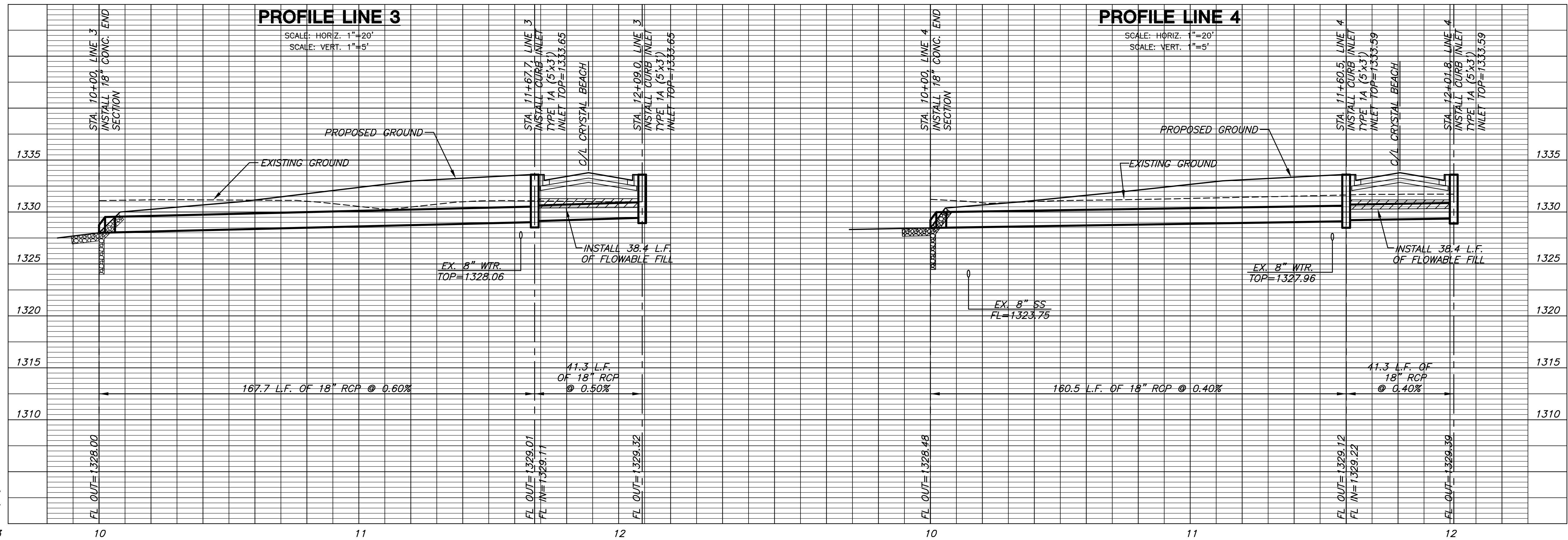


**PLAN LINE 3**



**PLAN LINE 4**

**NOTE**  
RIP RAP SHALL BE INSTALLED ACCORDING TO STANDARD SPECIFICATIONS WITH TOE WALLS ON ALL UNPROTECTED EDGES. THE TOE WALL SHOWN ON THE PLANS SHALL BE IN ADDITION TO THE STANDARD SPECIFICATIONS.



PL03P: 1/26/08, August 26, 2008 @ 08:53PM

J:\CIVIL\06608\WWS\MOORINGS 10\06608\_D3.DWG