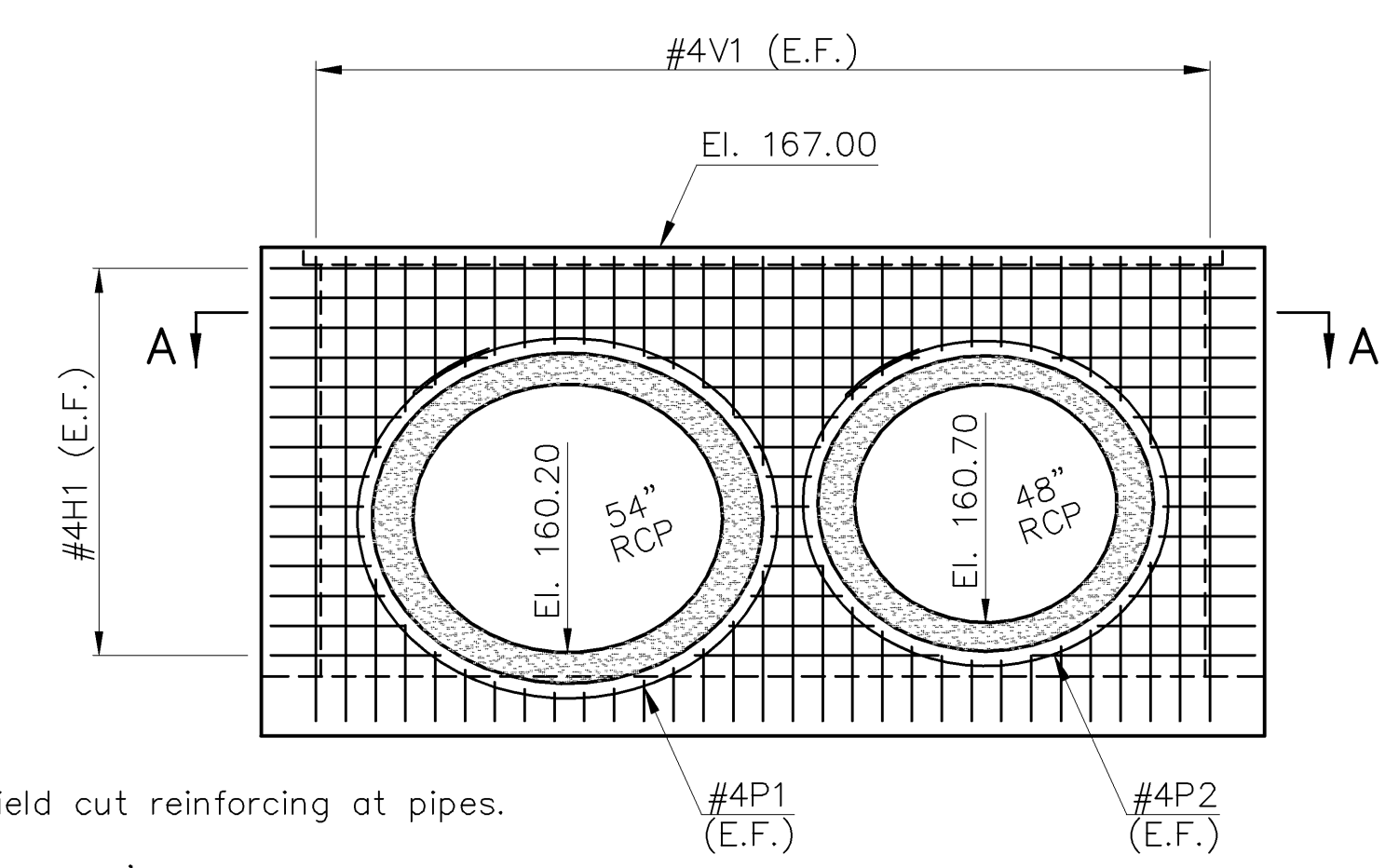
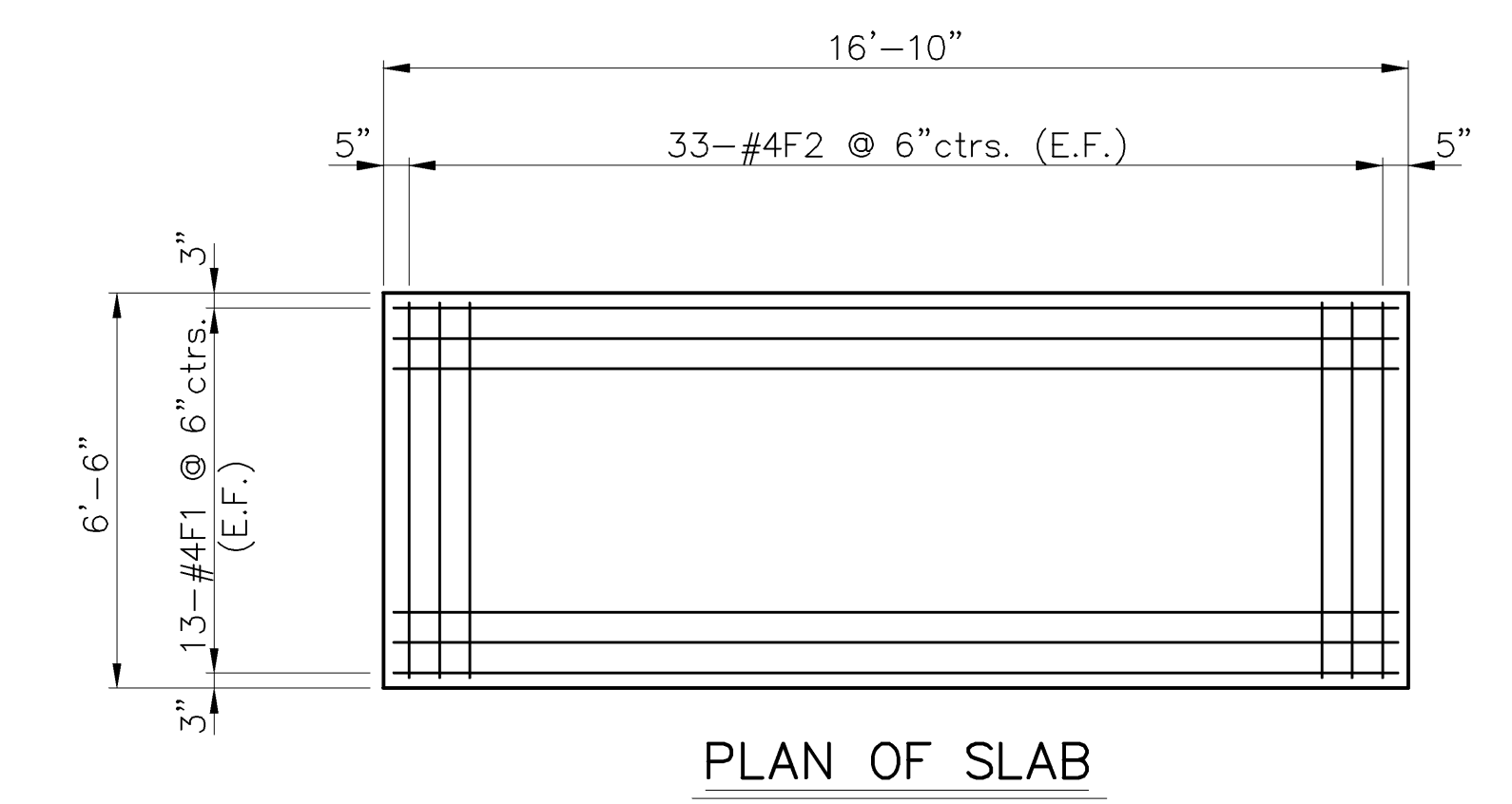
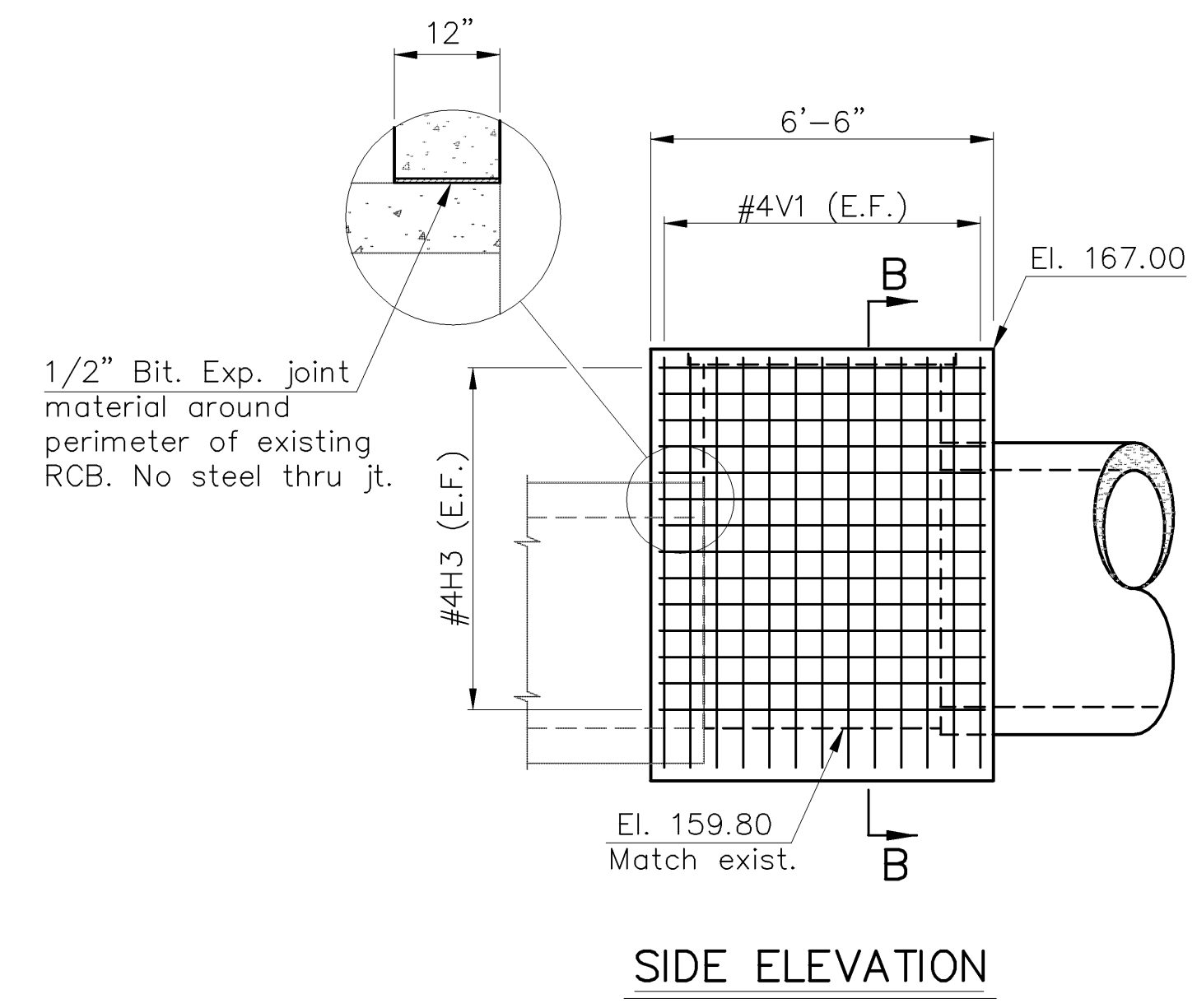
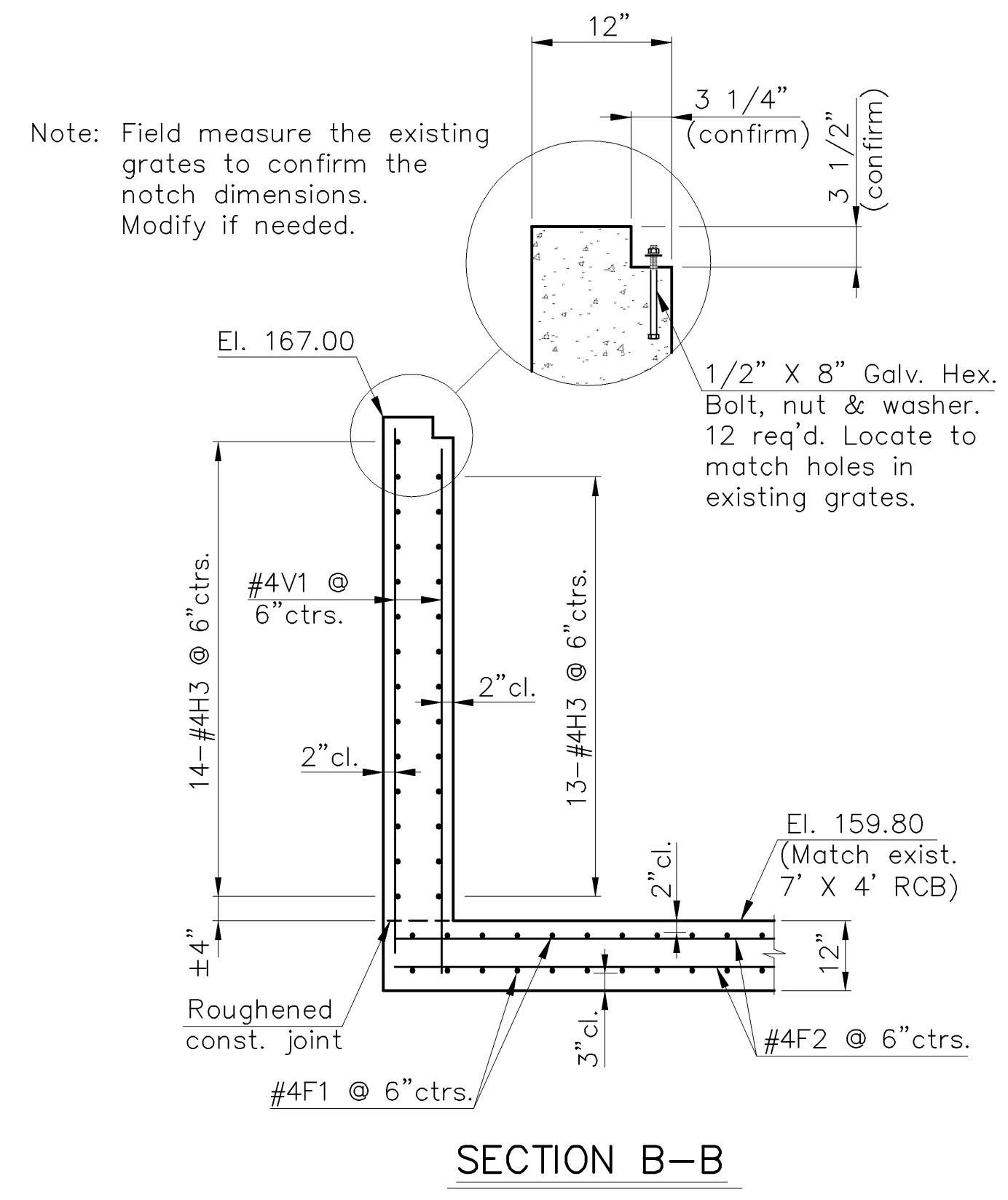
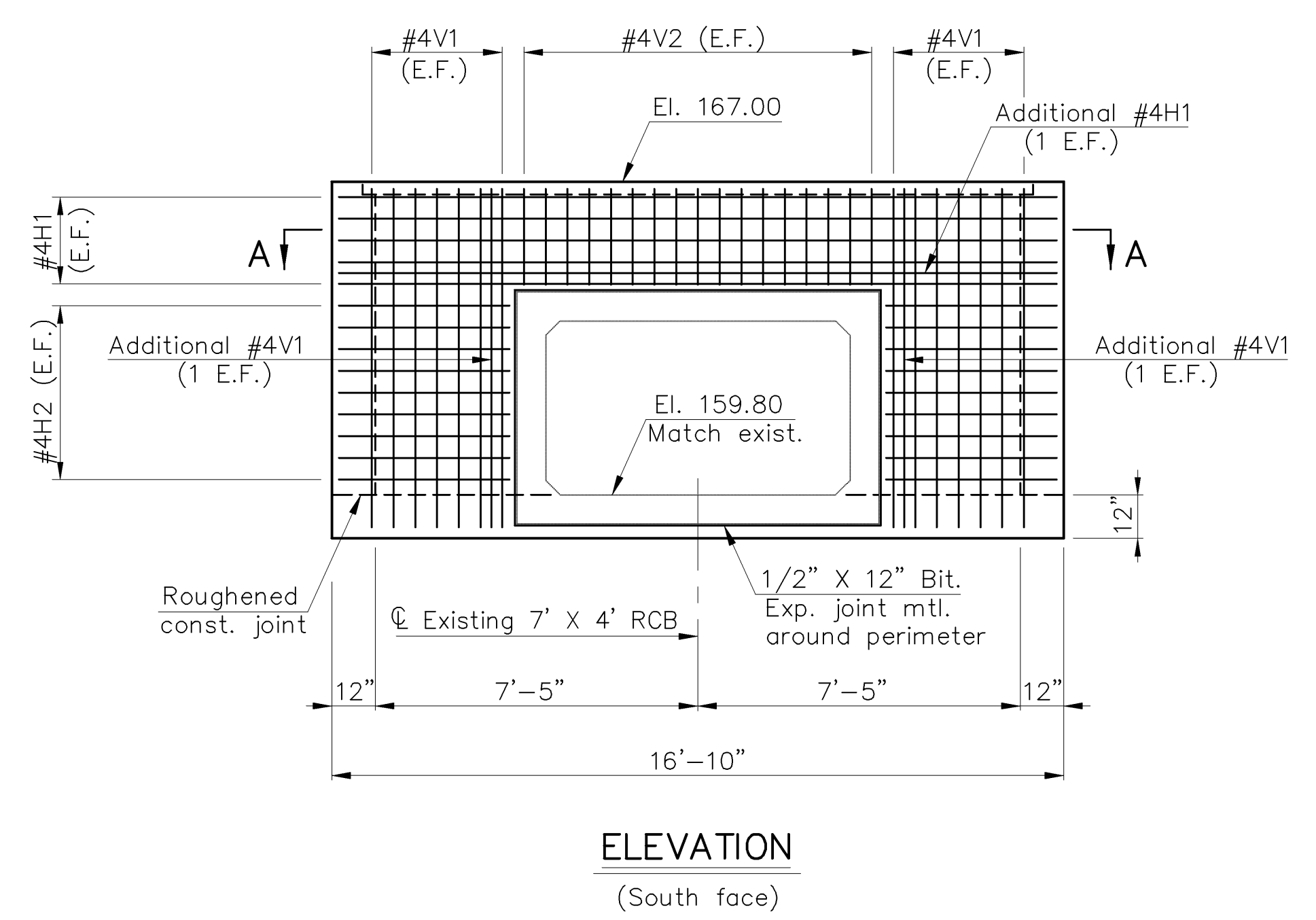
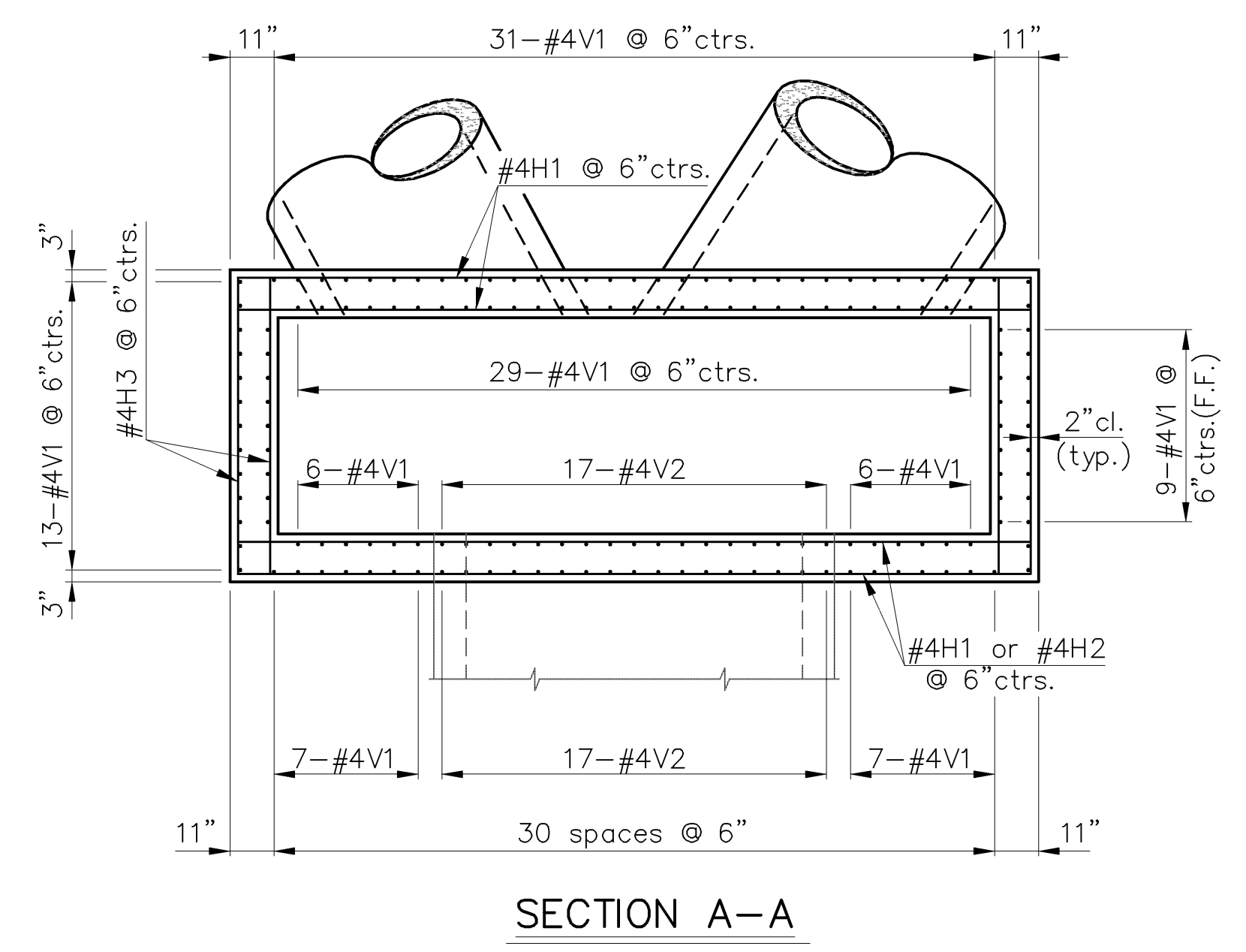
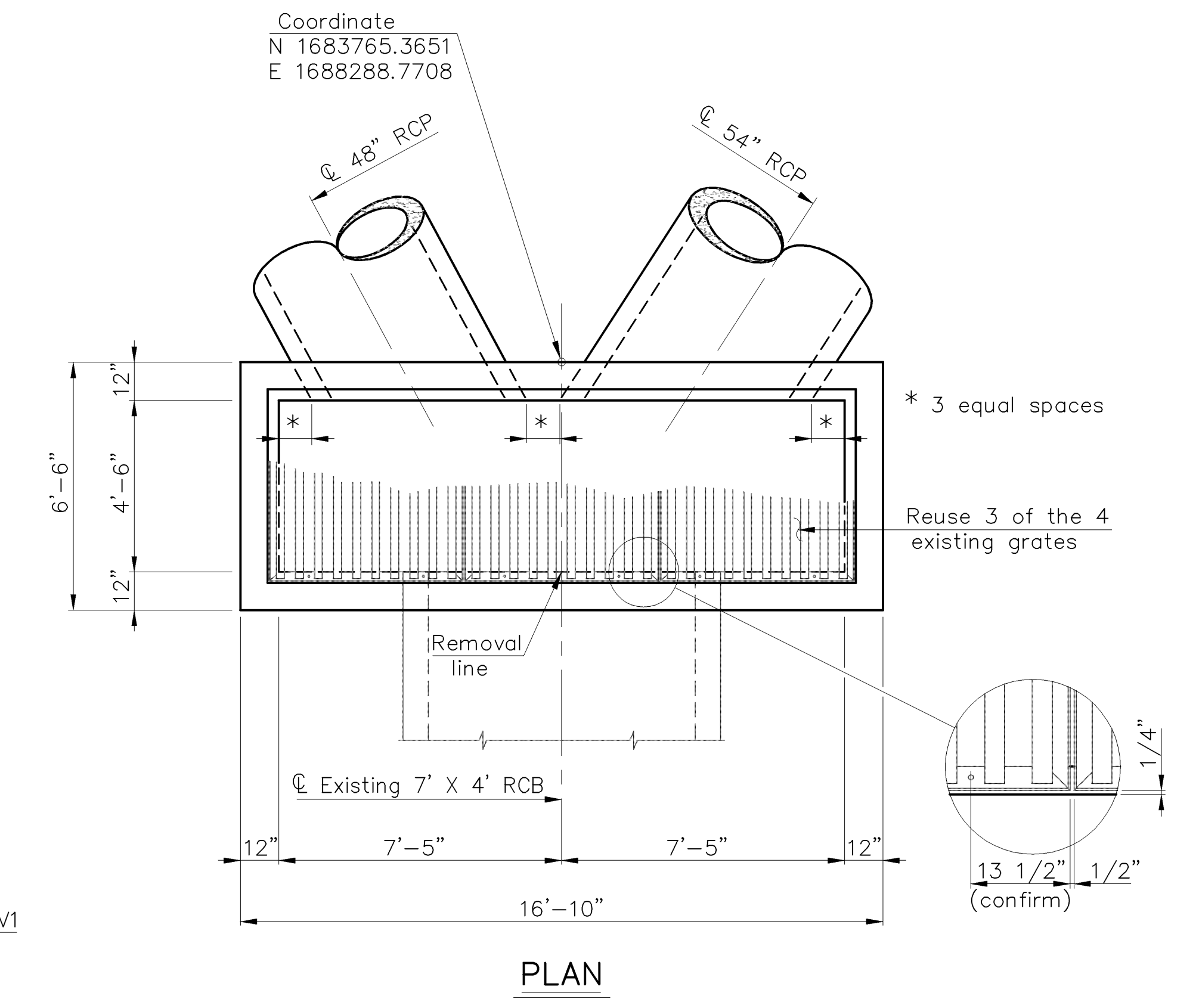


Note: E.F. Indicates each face
 N.F. Indicates near face
 F.F. Indicates far face



Note: Field cut reinforcing at pipes.
 The RCP's shall be set prior to placing wall concrete. Grouting pipes in place is not allowed.



PROJECT NO. 54-87 KA-1102-01
JUNCTION BOX DETAILS
 NORTH FRONTAGE ROAD

CFS
 Cook, Flatt & Strobel
 ENGINEERS, P. A.

DESIGNED	RSC	SCALE
DETAILED	DEG	DATE
QUANTITIES	SHEET	OF