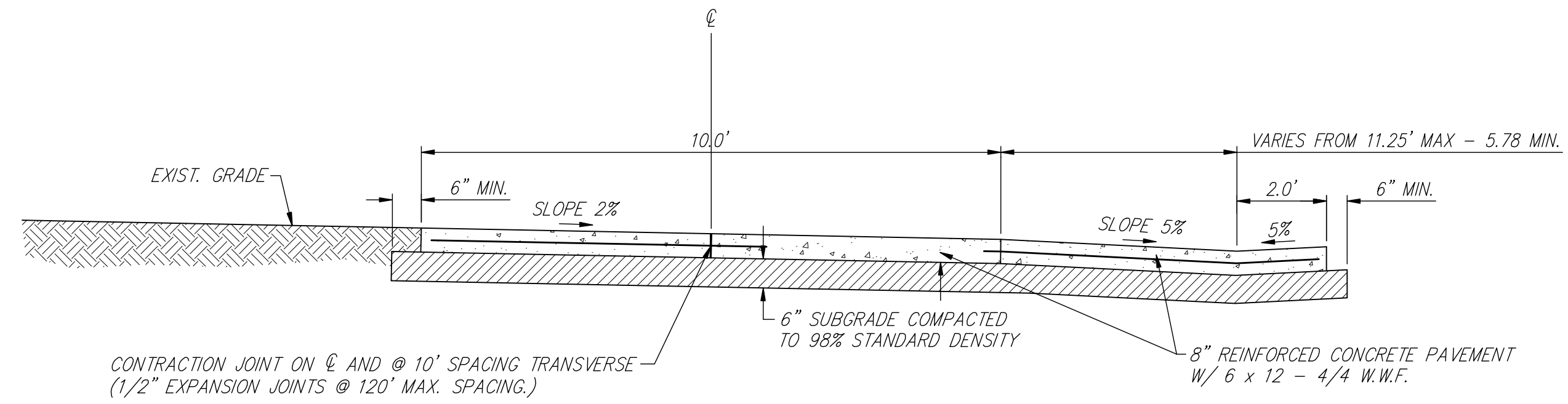
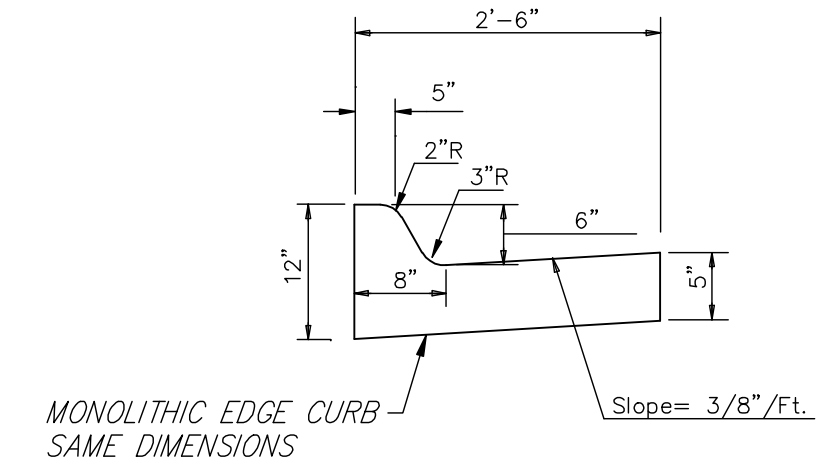


FHWA REGION NO.	STATE	PROJECT NUMBER	FISCAL YEAR	SHEET NUMBER	TOTAL SHEETS
	KANSAS	TE 0234 01		3	70

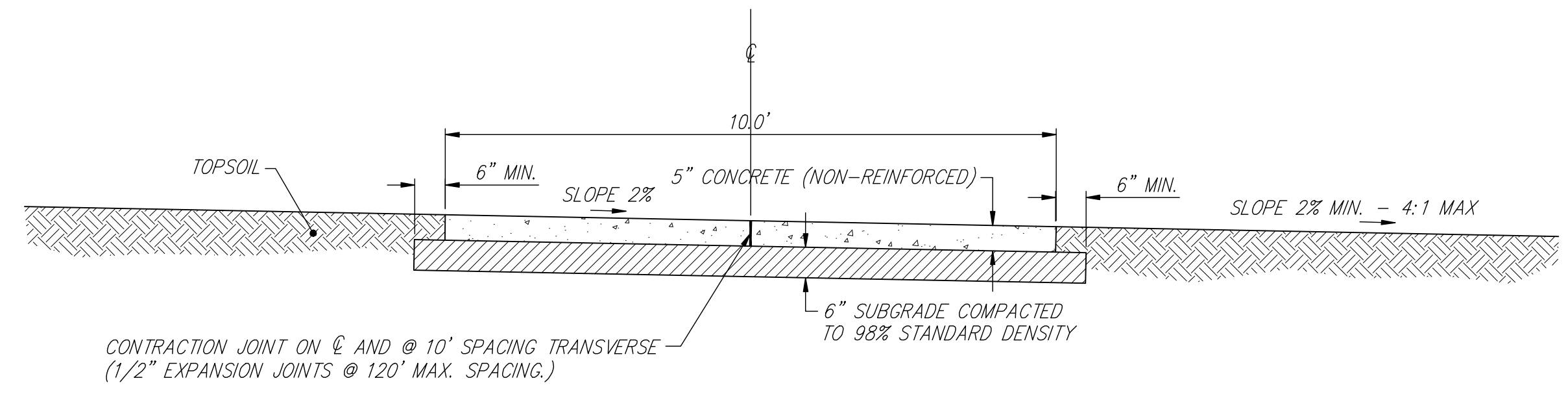


TYPICAL SECTION (8" PAVEMENT)

STA. 15+32.01 TO STA. 17+88.37

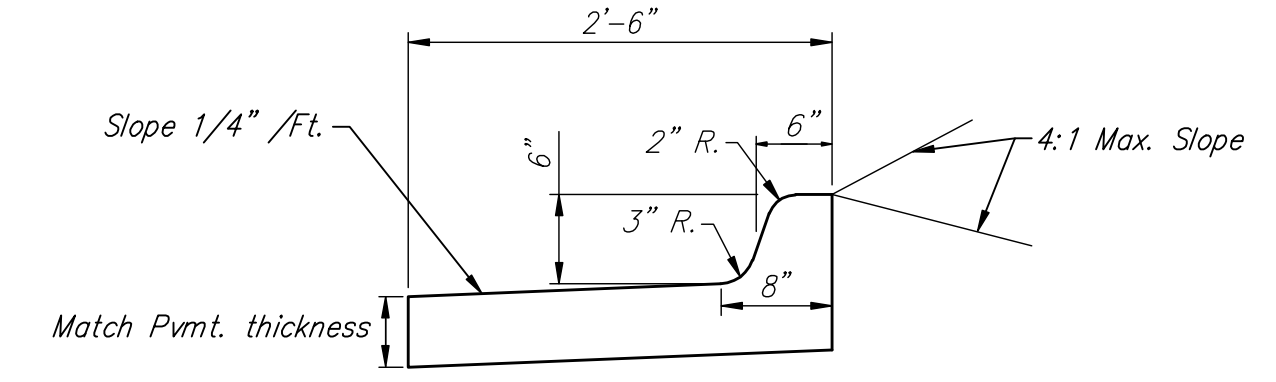


COMBINED CONCRETE CURB & GUTTER (6")

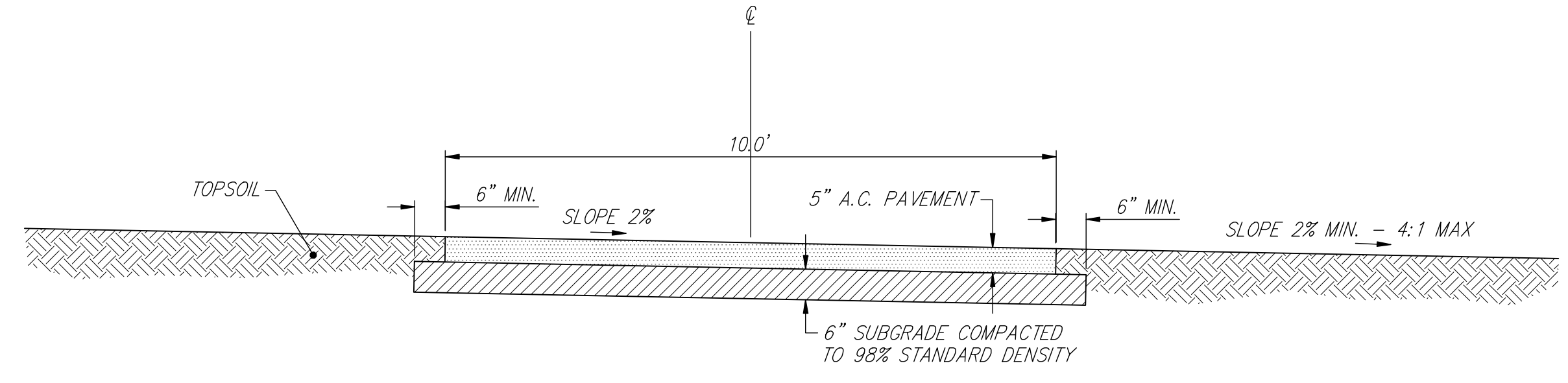


TYPICAL SECTION (5" CONCRETE)

BL. STA. 17+88.37 TO 18+56.82
BL. STA. 24+52.17 TO 68+51.12

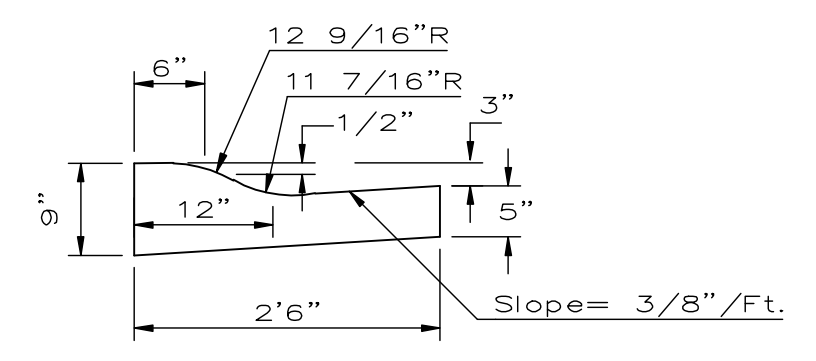


MEDIAN CURB & GUTTER (6")

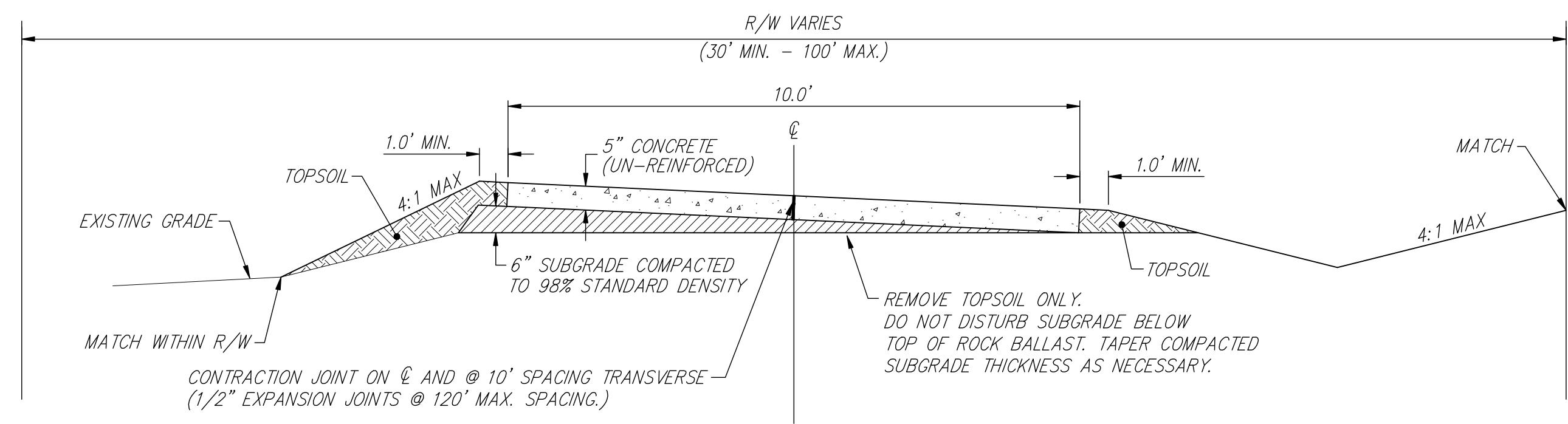


TYPICAL SECTION (5" ASPHALT)

BL. STA. 0+68.40 TO 14+36.34



COMBINED ROLL TYPE CURB & GUTTER (3 5/8")



TYPICAL SECTION (OVER R.R. BED):

BL. STA. 18+80.11 TO 27+84.18

**MIDTOWN BIKEPATH/GREENWAY
TYPICAL SECTIONS
WICHITA, KANSAS**

	Ruggles & Bohm, P.A. Engineering, Surveying, Land Planning		TCR DRAWN EJB CHECKED OWNER UTILITY DATE May 16, 2008	2560T 3 OF 70
	624 North Main Wichita, Kansas 67208 www.rbkansas.com	(316) 264-8808 (316) 264-4821 fax E-mail: info@rbkansas.com	PROJECT NUMBER 472 84008	Base {Typ. Sect.}