

STATE	PROJECT NO.	YEAR	SHEET NO.	TOTAL SHEETS
KANSAS	472 84008		37	70

GENERAL NOTES

- 1) The use of Straw or Hay Bales, Silt Fence or Biodegradable Logs is at the option of the Contractor.
- 2) The slope barriers shall be placed along contour lines, with a short section turned upgrade at each end of the barrier.
- 3) At culverts, the Straw or Hay Bales or Silt Fence shall be placed over the culvert, not through the streambed flowline.
- 4) Barriers damaged by Contractor's negligence, including improper maintenance or lack of maintenance, shall be repaired immediately by Contractor at no additional cost to KDOT.

INSTALLATION NOTES

STRAW OR HAY BALES:

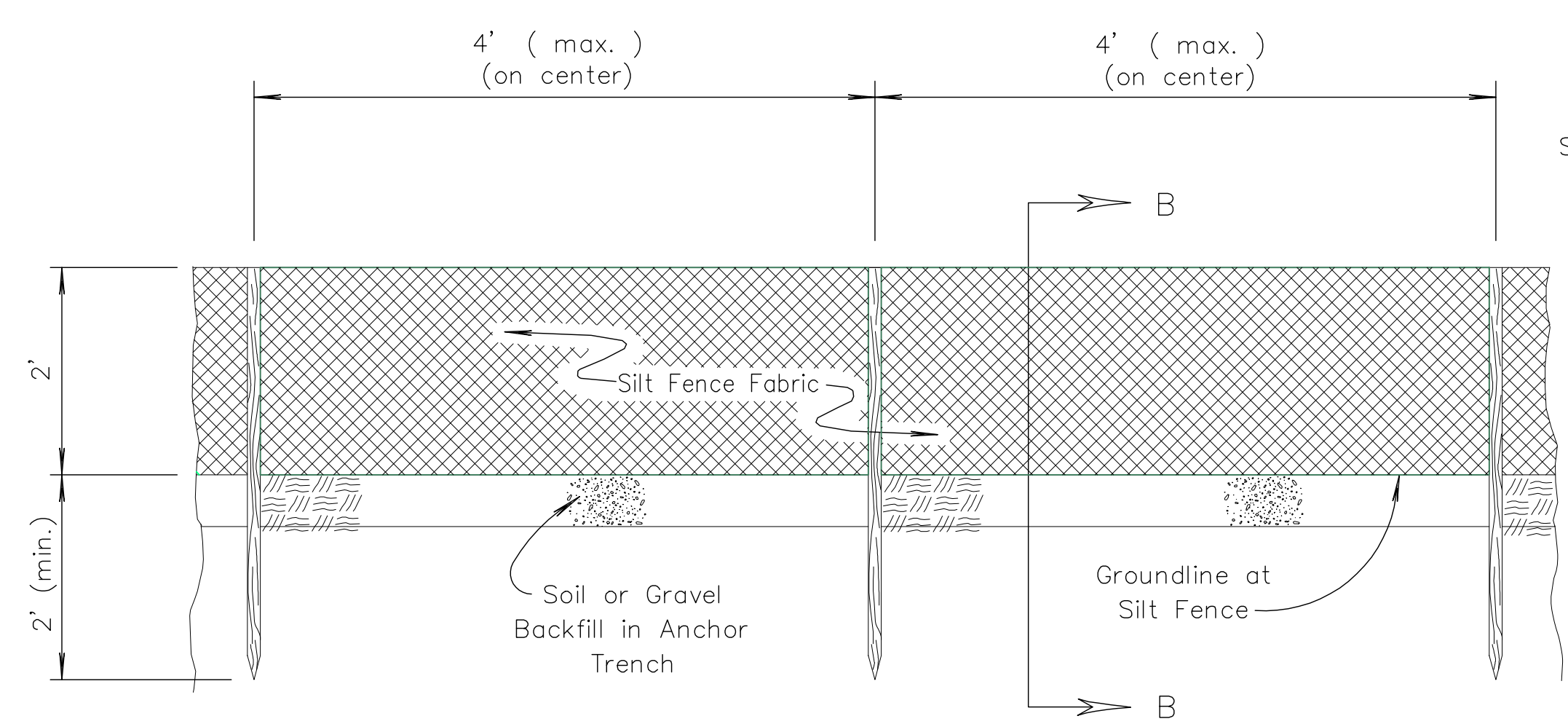
1. Place bales tightly together, with loose straw or hay wedged between bales to close off openings.
2. Wood stakes shall be 2" x 2" (nom.) x 4' (min.) long.
3. Refer to plans sheets to estimate the length of bales required.
4. Use only twine to bind bales. The use of wire binding is prohibited because it does not readily biodegrade.

SILT FENCE:

1. Stakes shall be 4' (min.) long and of one of the following materials:
 - a. Hardwood - 1 3/16" x 1 3/16";
 - b. Southern Pine (No. 2) - 2 5/8" x 2 5/8";
 - c. Steel U, T, L, or C Section - 1.33 lbs. per 1'-0"; or
 - d. Synthetic - same strength as wood stakes.
2. Attach fence fabric to stakes with staples, wire or nails.
3. Refer to plan sheets to estimate the length of Silt Fence required.

BIODEGRADABLE LOG BARRIERS

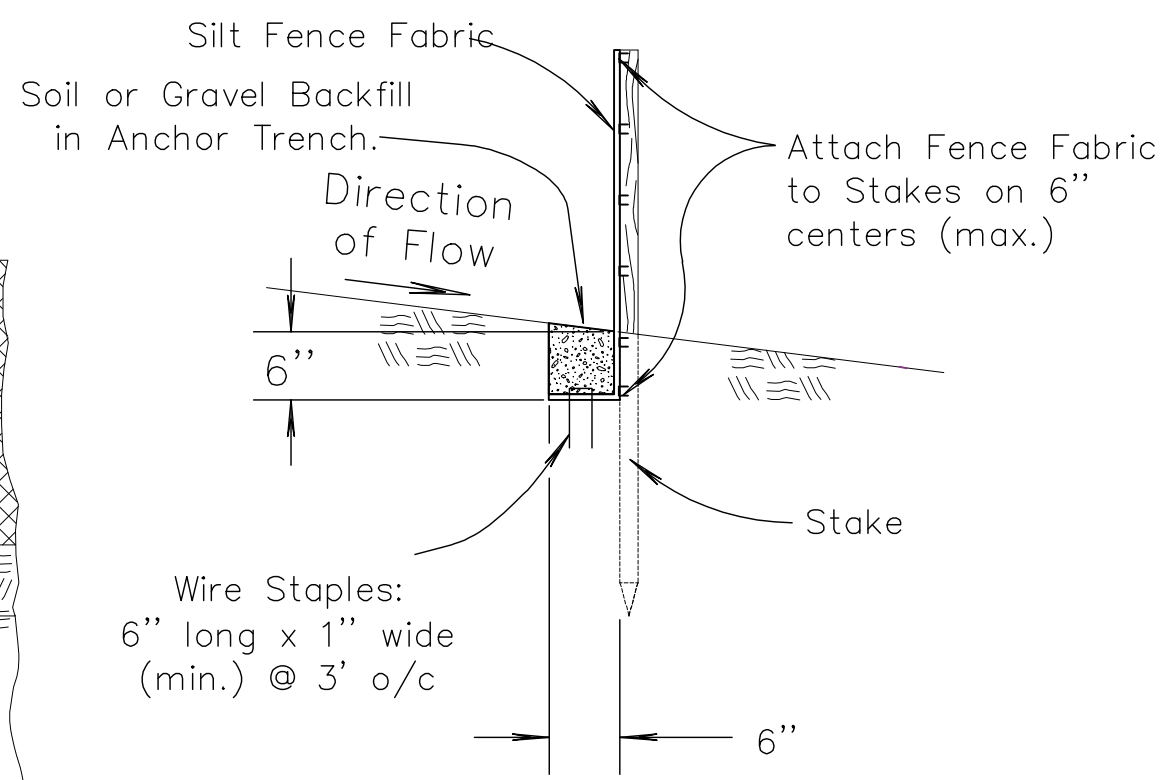
1. Place biodegradable logs tightly together.
2. Wood stakes shall be 2" x 2" (nom.) x 4' (min.) long.
3. Wire staples shall be 6" long x 1" wide (min.) and placed on 3' (max.) centers.
4. Refer to plan sheets to estimate length of biodegradable log barriers required.



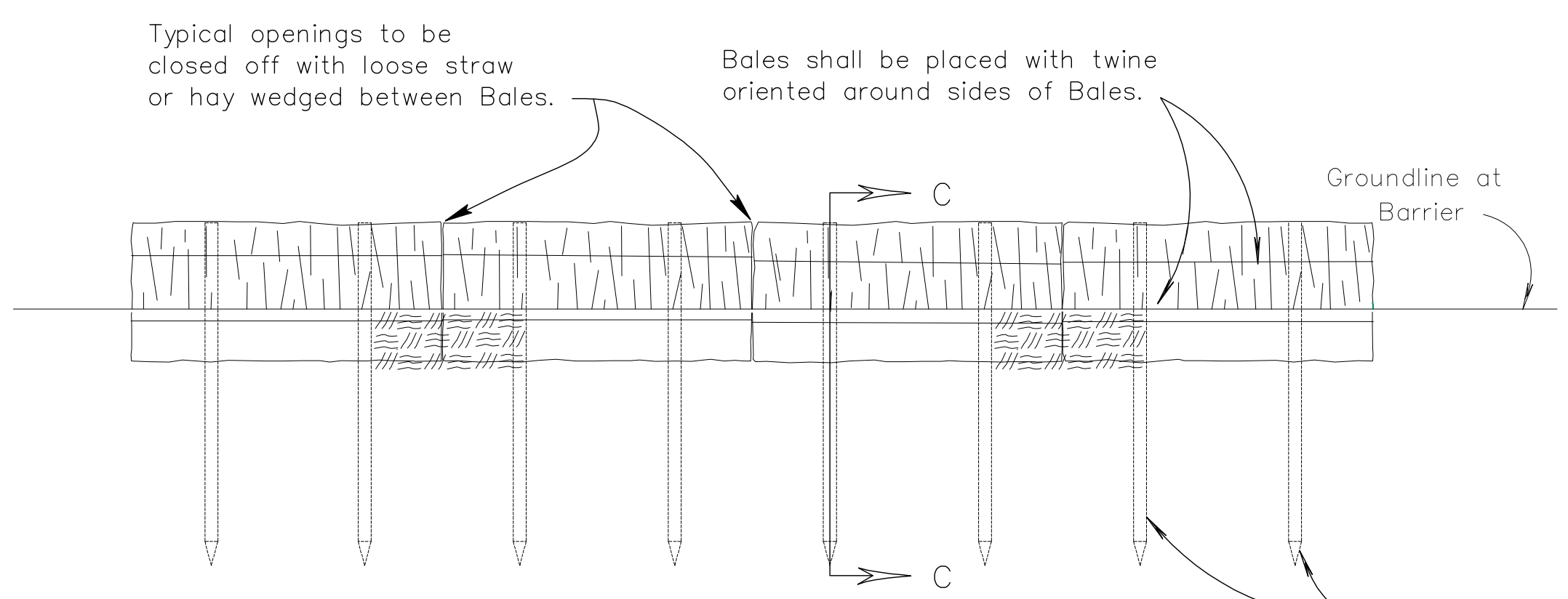
TYPICAL ELEVATION

SILT FENCE SLOPE BARRIER

NO SCALE



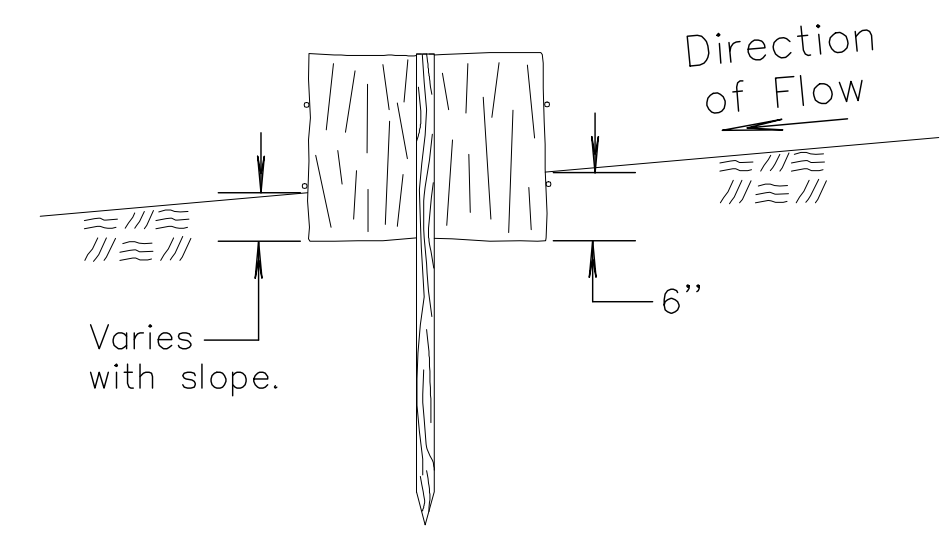
SECTION B - B



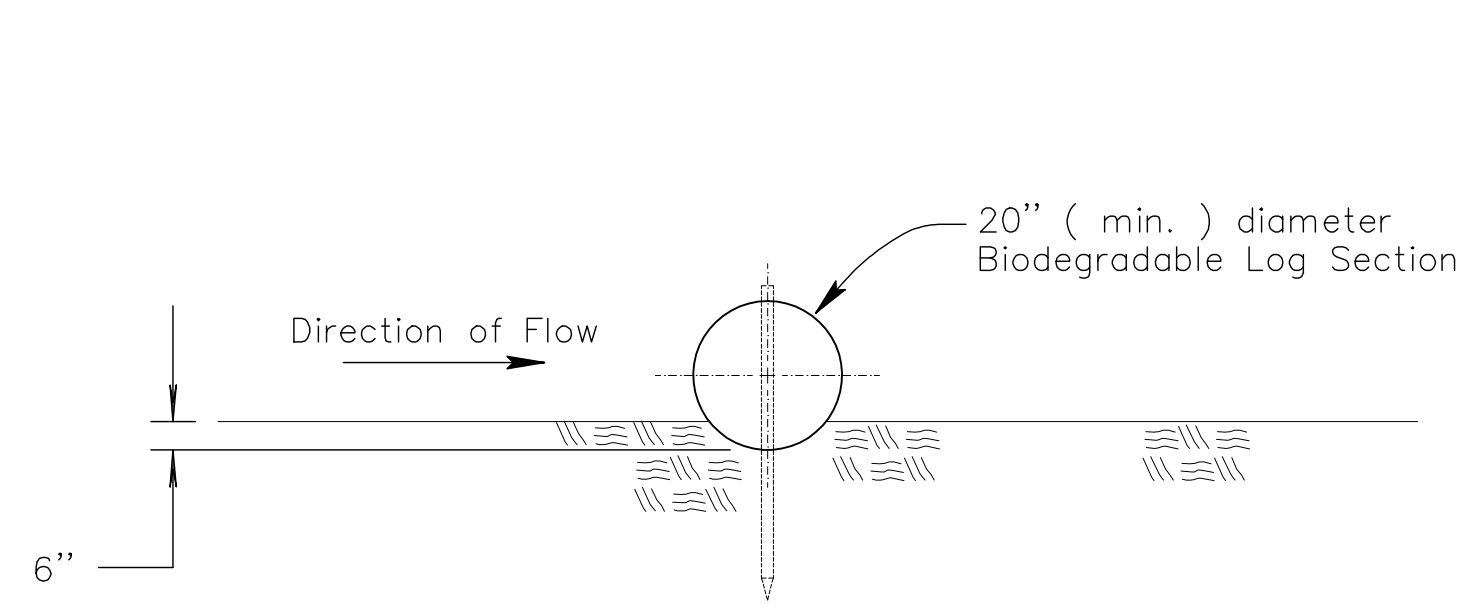
TYPICAL ELEVATION

STRAW BALE SLOPE BARRIER

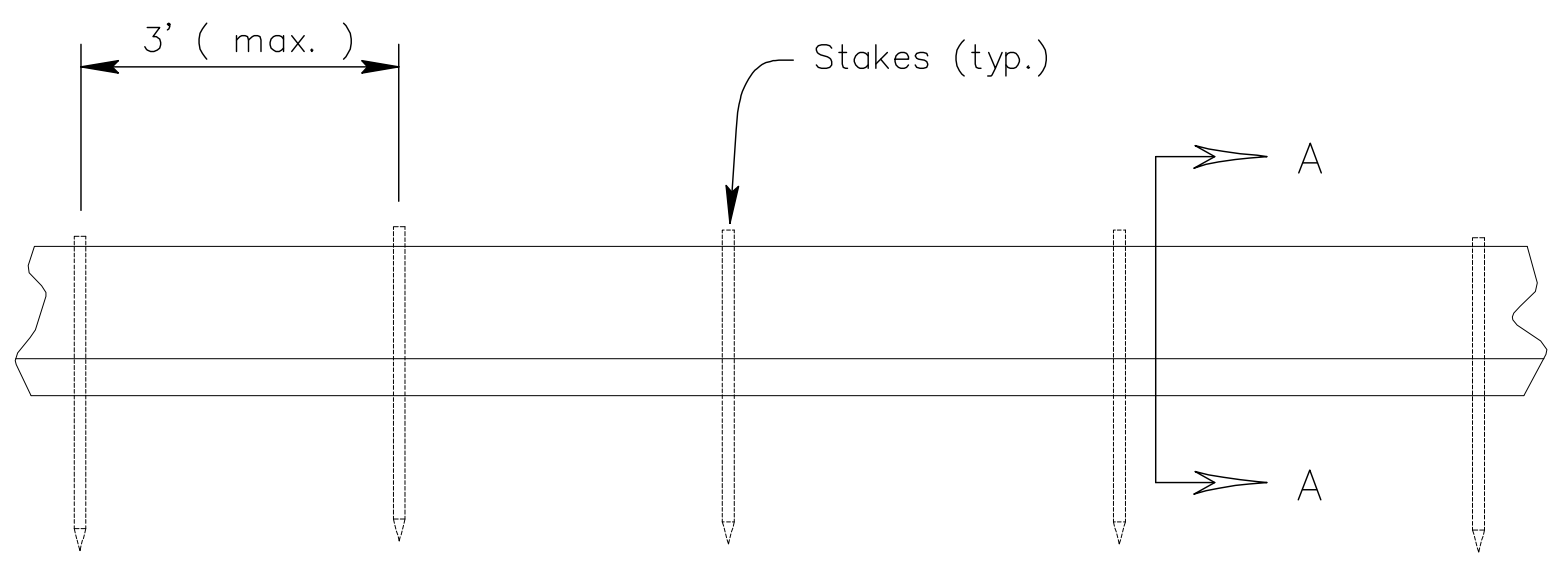
NO SCALE



SECTION C - C



SECTION A - A



TYPICAL ELEVATION

BIODEGRADABLE LOG SLOPE BARRIER

NO SCALE

3					
2					
1	5/10/99	Revised Standard		WCL	RDR
NO.	DATE	REVISIONS	BY	APP'D	
KANSAS DEPARTMENT OF TRANSPORTATION					
TEMPORARY EROSION AND POLLUTION CONTROL					
STRAW OR HAY BALE SLOPE BARRIERS					
SILT FENCE SLOPE BARRIERS					
BIODEGRADABLE LOG SLOPE BARRIERS					
LA852D					
DESIGNED	WCL	QUANTITIES	TRACED	WCL	
DESIGN CK.	RDR	DETAIL CK.	RDR	QUAN. CK.	TRACE CK. RDR
F.H.W.A. APPROVAL	5/20/99	APP'D	Richard D. Ross		