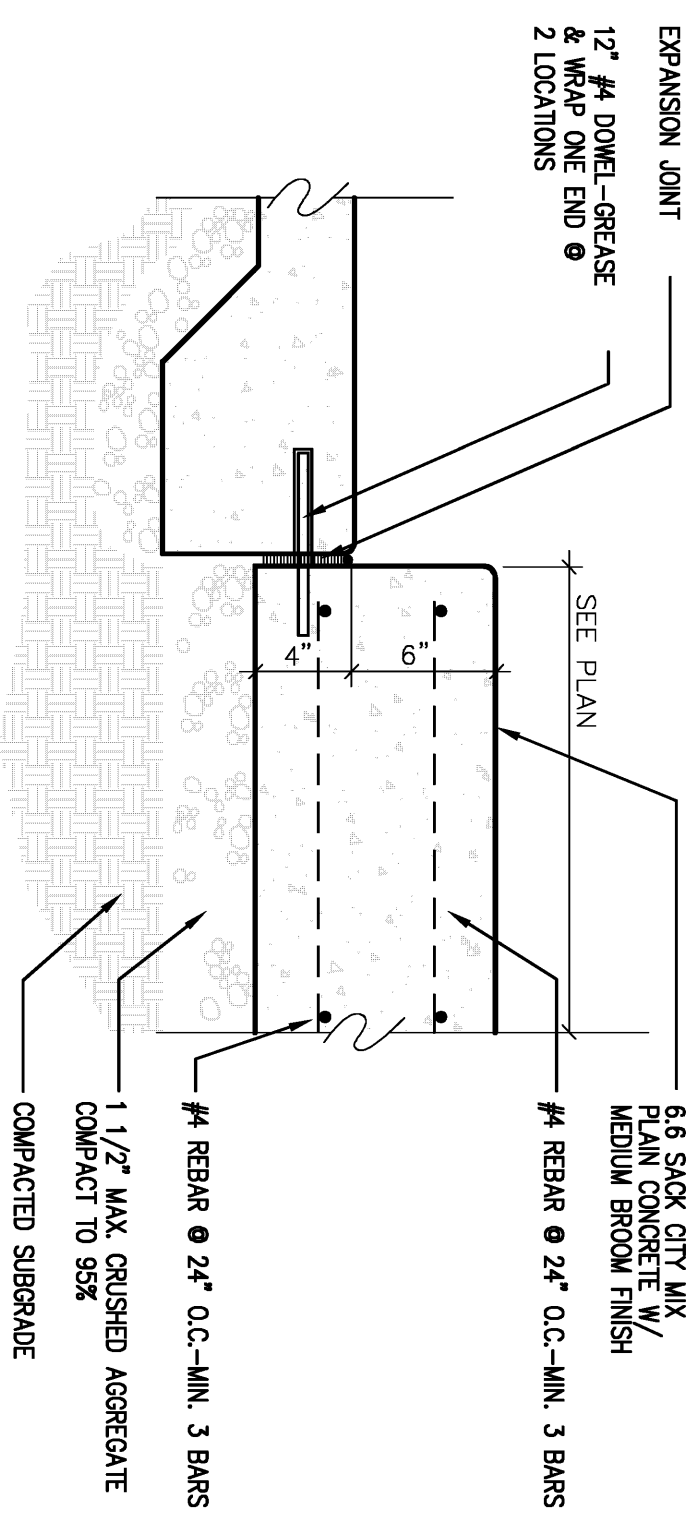
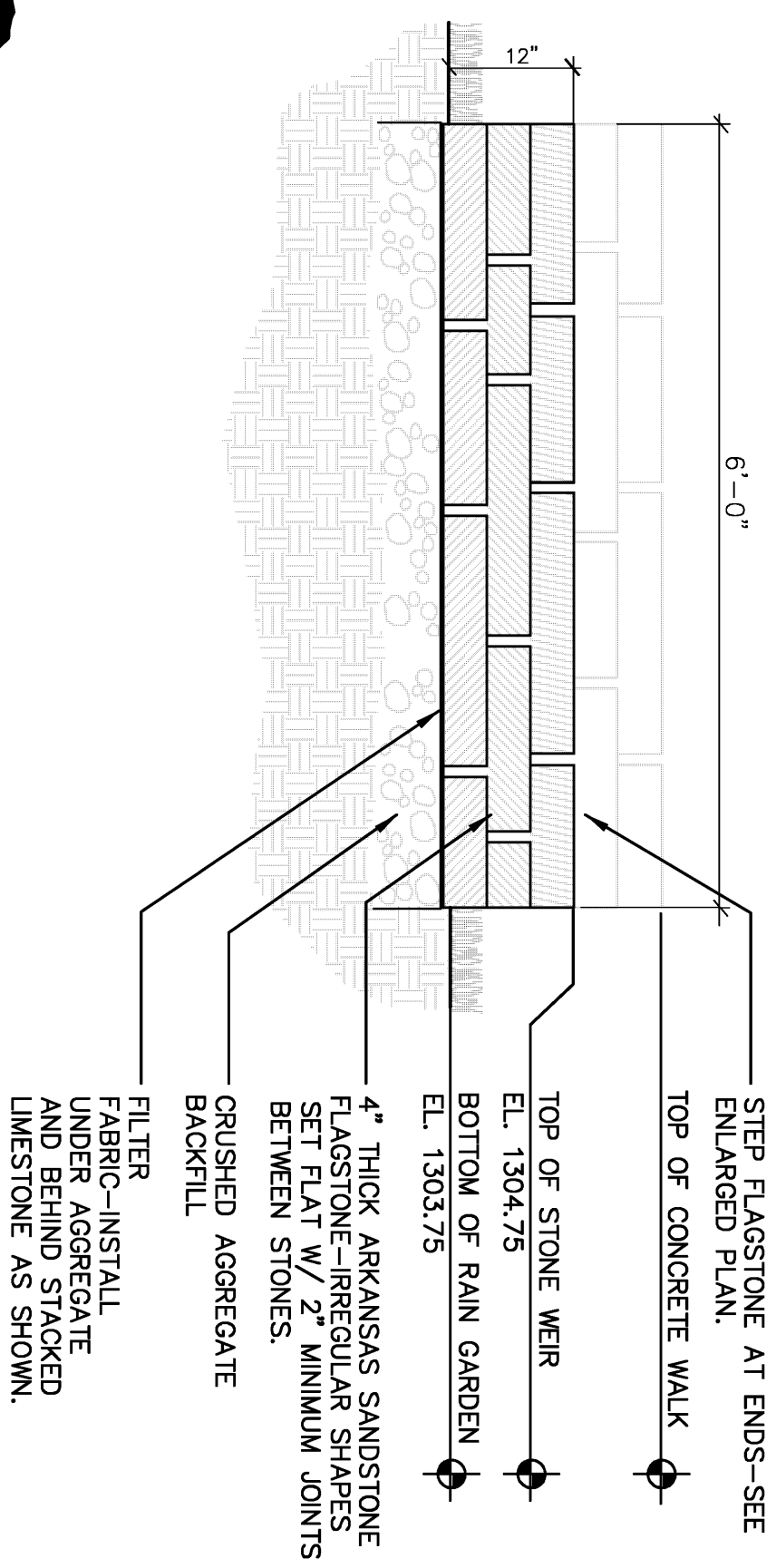


REFERENCES NOTED	BY	DATE
REFERENCES CHECKED		



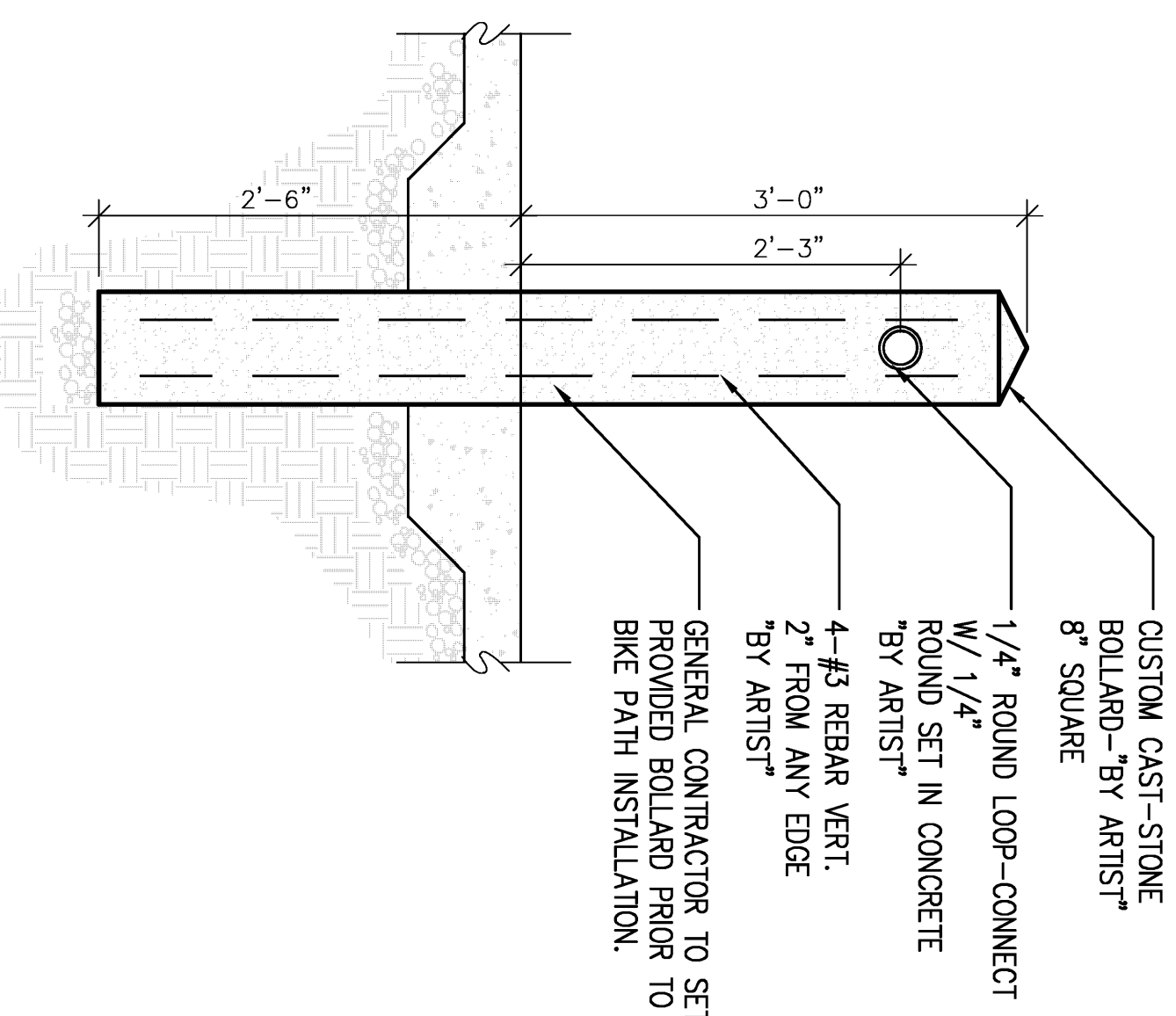
1 CONCRETE PEDESTAL

1 1/2" = 1'-0"



2 SANDSTONE WEIR SECTION

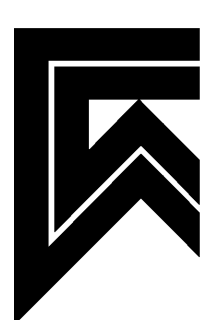
3/4" = 1'-0"



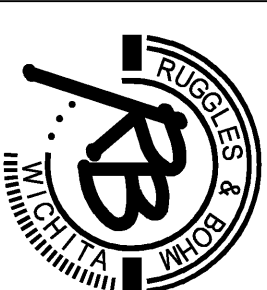
3 CUSTOM CONCRETE BOLLARD

1" = 1'-0"

PIWA REGION NO.	STATE	PROJECT NUMBER	FISCAL YEAR	SHEET NUMBER	TOTAL SHEETS
KANSAS					



LAW/KINGDON, INC.
ATTORNEYS AT LAW
ARCHITECTS
& LANDSCAPE ARCHITECTS
345 RIVERVIEW, WICHITA, KS 67203
Phone (316) 268-0220 Fax (316) 268-0206
http://www.lawkingdon.com



Ruggles & Bohm, P.A.
Engineering, Surveying, Land Planning
924 North Main
Wichita, Kansas 67203
www.rbkansas.com
Phone (316) 264-8008
(316) 264-4821 fax
E-mail: info@rbkansas.com

MIDTOWN BIKEPATH/GREENWAY
SITE DETAILS
WICHITA, KANSAS

DESIGN	DATE	PROJECT NUMBER	REVISION	DATE
Design	8/7/07	04395	Drawn	
MAW			Reviewed	
JB			Checked	
			Unit	
			Sheet	
			47	
			of	
			67	