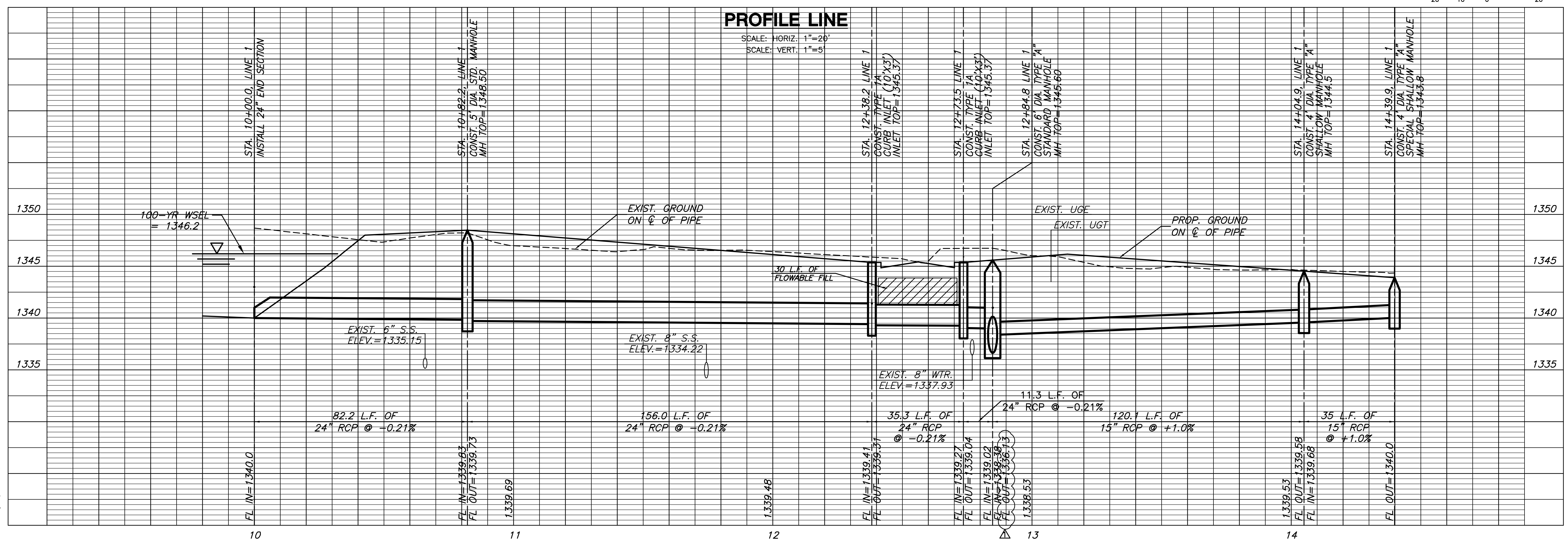
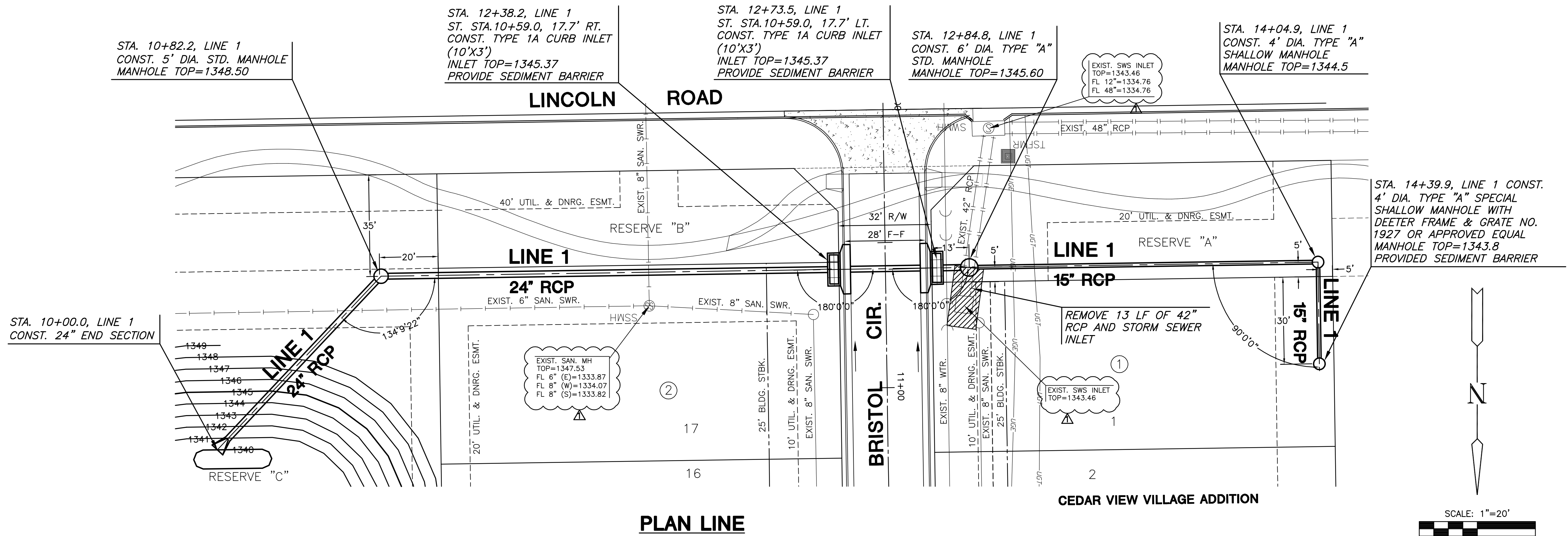


**STORM WATER SEWER PLANS
CEDAR VIEW VILLAGE**



PLOTTED: Monday, September 15, 2008 @ 01:57PM

J:\CIVIL\061889\SWMS\061889_01.DWG

LINE 1
SHEET TITLE
468-84464
PROJECT NUMBER

DESIGN BY: SRS
DRAWN BY: TKL
CHECKED BY: MAB

ISSUED: AUGUST 2008
REVISED: September 08

SHEET NO.
4 of 14