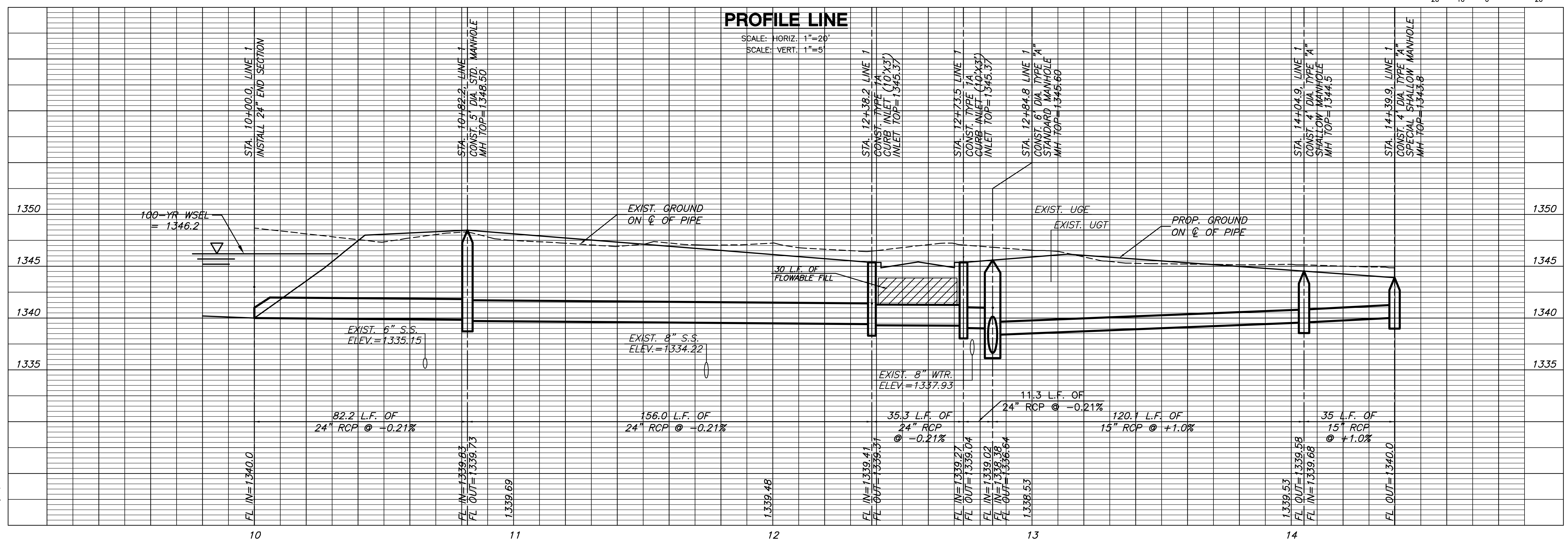


PLAN LINE



PROFILE LINE

PLOT DATE: Wednesday, September 03, 2008 9:05:16 AM

J:\CIVIL\061889\SWMS\061889_01.DWG

LINE 1
SHEET TITLE
468-84464
PROJECT NUMBER

DESIGN BY: SRS
DRAWN BY: TKL
CHECKED BY: MAB

ISSUED: AUGUST 2008
REVISED:

SHEET NO.
4 of 14