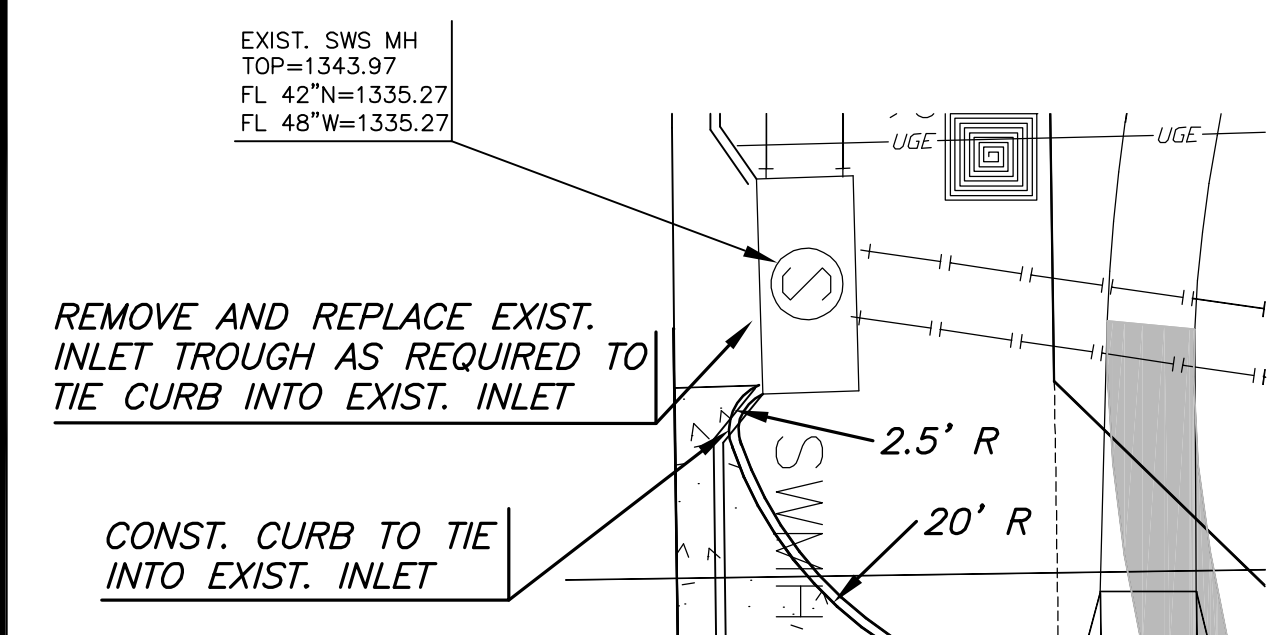


CURVE TABLE - C1					
$\Delta = 13^{\circ}20'40''$ R = 500.00' T = 58.49' L = 116.45' LC = 116.19'					
CURVE DATA BASED ON CENTERLINE $\Delta / 2 = 06^{\circ}40'20''$					
STATION	ARC	CHORD LENGTH		DEFLECTION	TOTAL DEFLECTION
		8' Off LtCb	8' Off RtCb		
12+96.99	-	-	-	00'00'00"	00'00'00"
13+25.00	28.01'	29.24'	26.77'	01'36'17"	01'36'17"
13+50.00	25.00'	26.10'	23.90'	01'25'57"	03'02'14"
13+75.00	25.00'	26.10'	23.90'	01'25'57"	04'28'11"
14+00.00	25.00'	26.10'	23.90'	01'25'57"	05'54'07"
14+13.44	25.00'	14.03'	12.85'	00'46'13"	06'40'20"

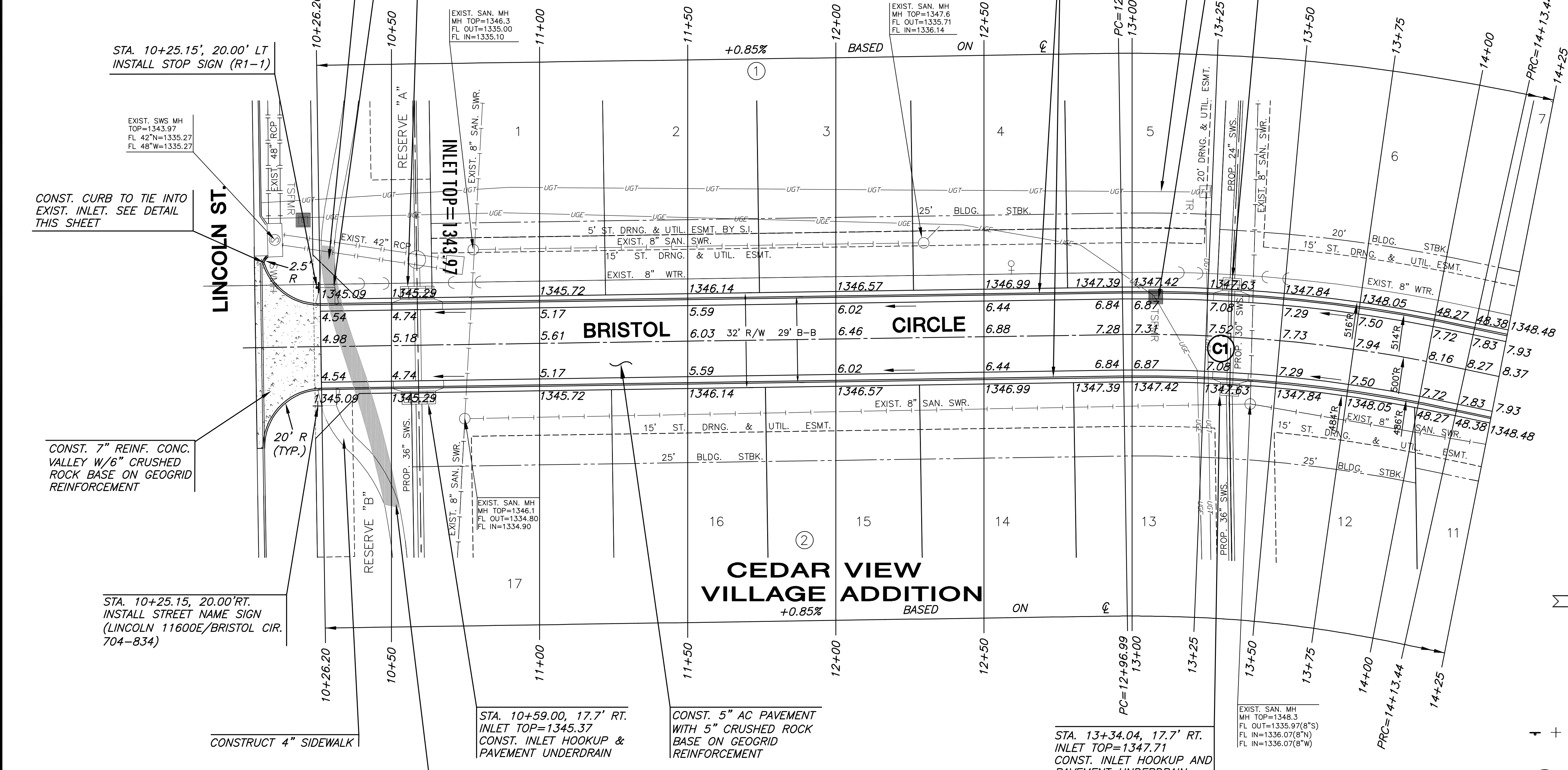
Det/Ft = 3.43775 Min.



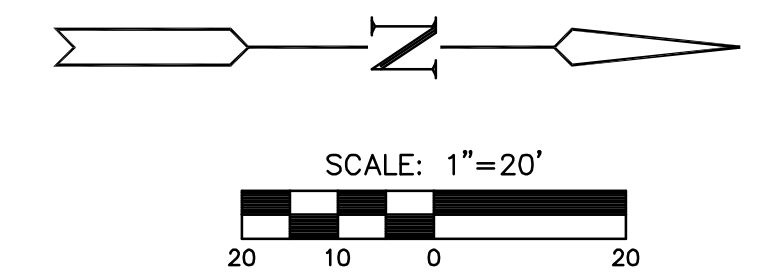
EXIST. UNDERGROUND TELEPHONE TO BE RELOCATED BY AT&T. CONTACT JASON EDWARDS @ 268-2008

EXIST. TRANSFORMER AND UNDERGROUND ELECTRIC TO BE RELOCATED BY WESTAR. CONTACT LADONNA VANDERFORD @ 250-8963

CEDAR VIEW VILLAGE ADDITION



NOTE: THE PROPOSED STORM SEWER PIPE, STRUCTURES AND RELATED APPURTENANCES SHOWN ON THESE DRAWINGS SHALL BE CONSTRUCTED BY OTHERS PRIOR TO PLACEMENT OF PAVEMENT.



- LEGEND**
- STREET SIGN & SIGN LOCATION (SEE SIGN ASSEMBLY TABLE FOR TYPE & STATION OF SIGN)
 - CURVE TABLE REFERENCE
 - VALLEY GUTTER
 - SIDEWALK REMOVAL

PAVING PLANS FOR
CEDAR VIEW VILLAGE

BRISTOL CIRCLE PAVING
SHEET TITLE
06189
PROJECT NUMBER

SRS
DESIGN BY
TKL
DRAWN BY
MAB
CHECKED BY

ISSUED
AUGUST 2008
REVISED

SHEET NO.
5 of 18