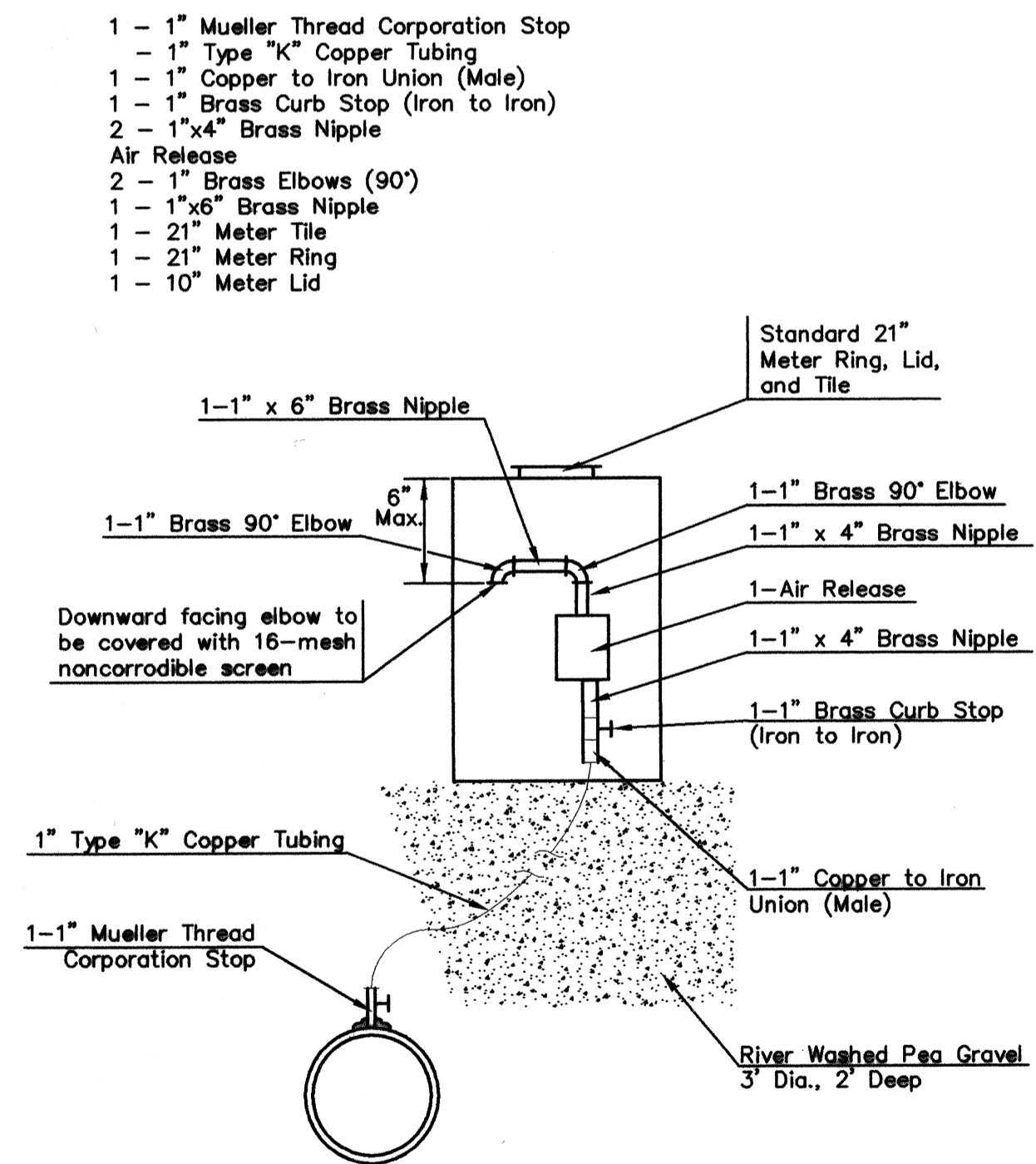
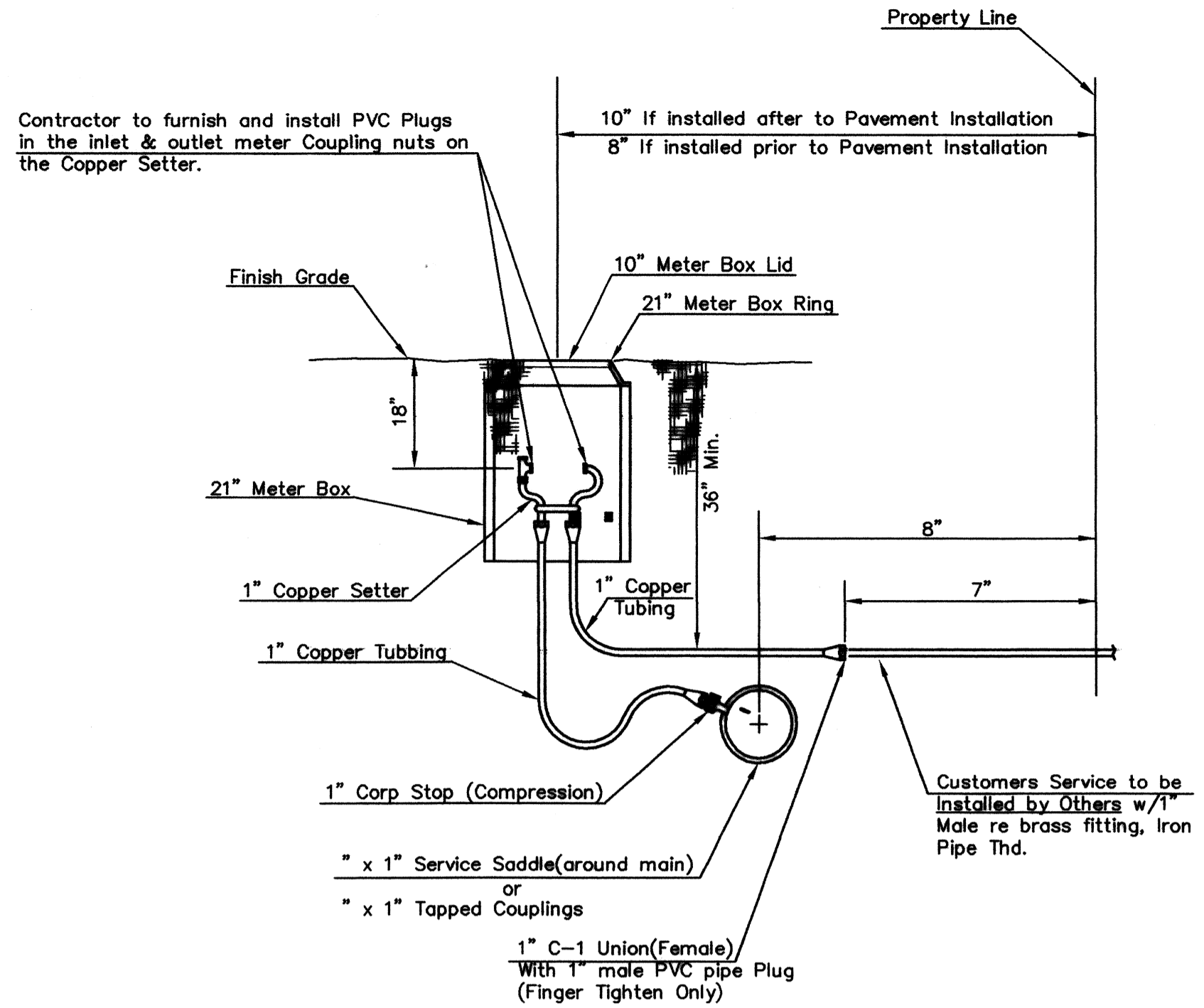


Note: Service Saddles are not required on top of 8" mains or larger
 Meter boxes will be located on each lot to be served, as indicated in the SPECIAL PROVISIONS

**TYPICAL METER SETTING
 LONG SERVICE 1"**

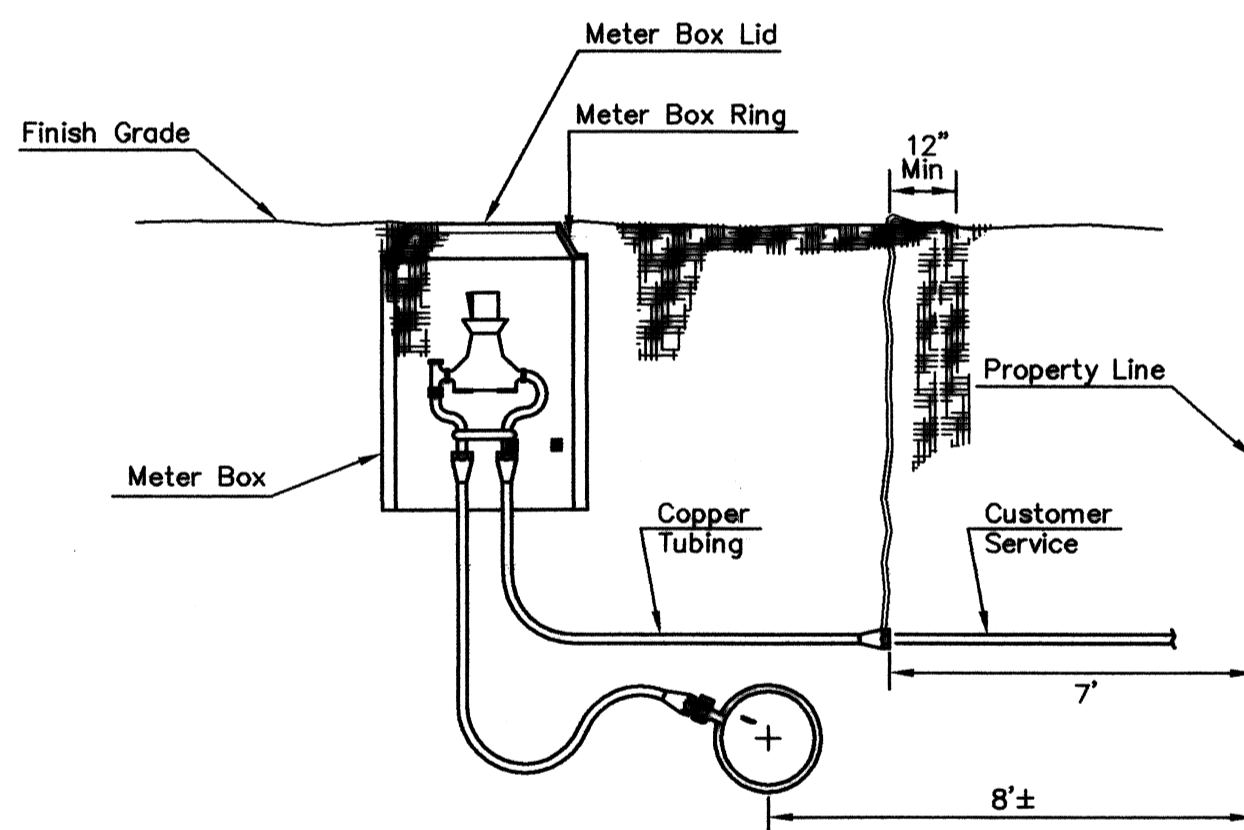


MATERIALS FOR AIR RELEASE ASSEMBLY



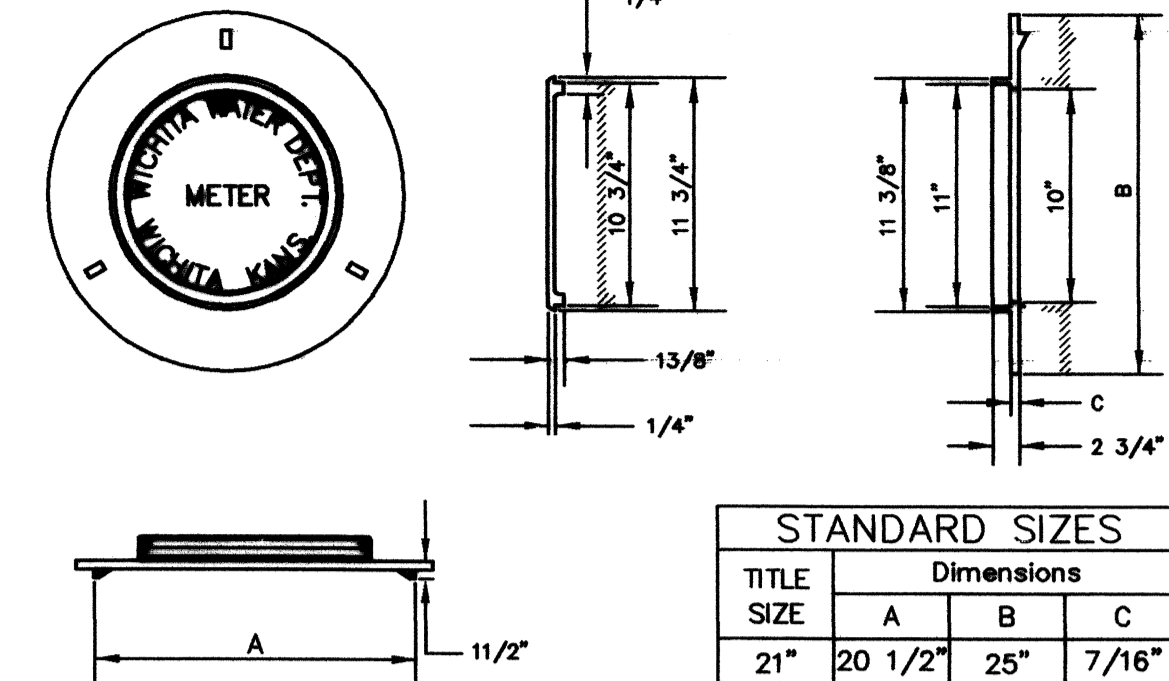
Note: Service Saddles are not required on top of 8" mains or larger
 Meter boxes will be located on each lot to be served, as indicated in the SPECIAL PROVISIONS

**TYPICAL METER SETTING
 SHORT SERVICE 1"**



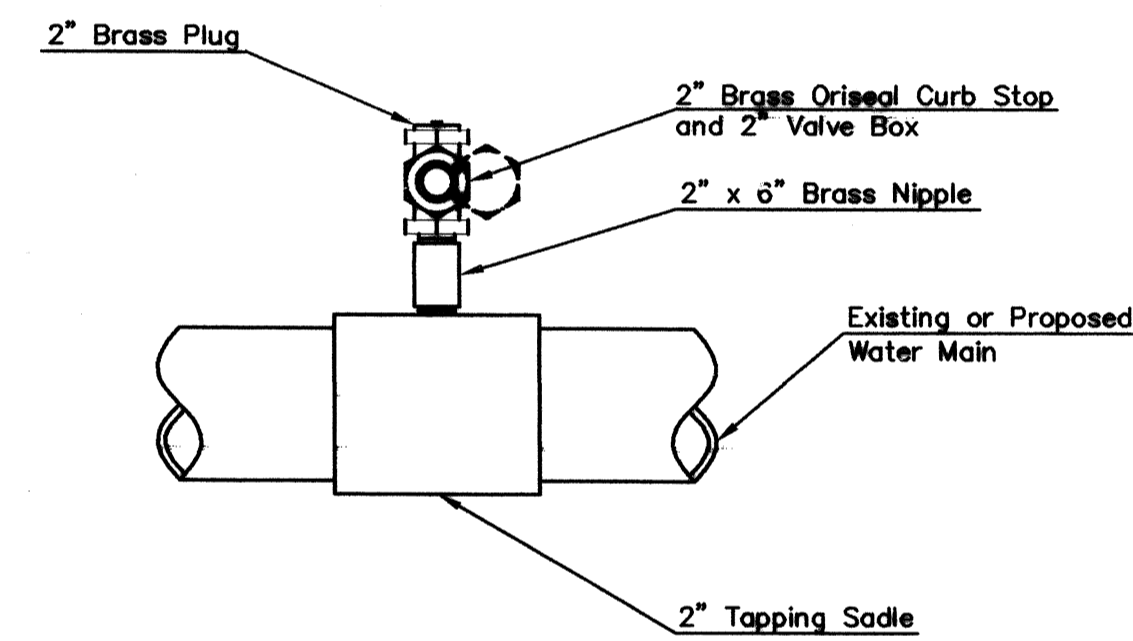
If customers service line is not installed at the time Meter Box and Setter are installed, Plastic Flagging is to be tied to the end of copper tubing & brought straight up to top of ground and be exposed a minimum of 12" on top of ground. (Plastic Flagging to be Furnished by Contractor)

**TYPICAL METER SETTING
 PLASTIC FLAGGING**



Other Approved Ring And Lids: Ford Meter Box Co. Inc. 21" Ring & Lid Catalog No. C-4

RING & LID FOR METER VAULTS



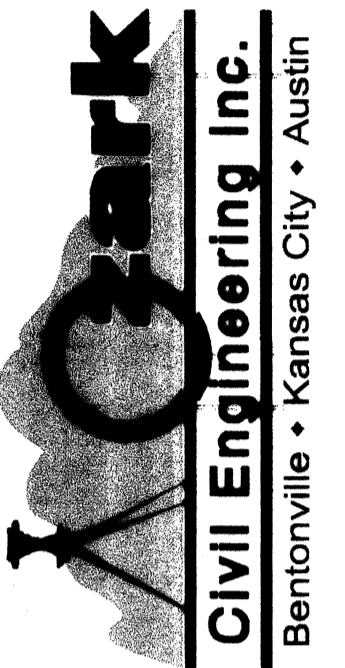
Note: Where the 2" service outlet assembly is to be used to connect a 2" main to another main, the 2" valve shall be a 2" IPT Gate Valve. 2" Ball or Globe valve shall not be approved for this use.

2" SERVICE OUTLET ASSEMBLY



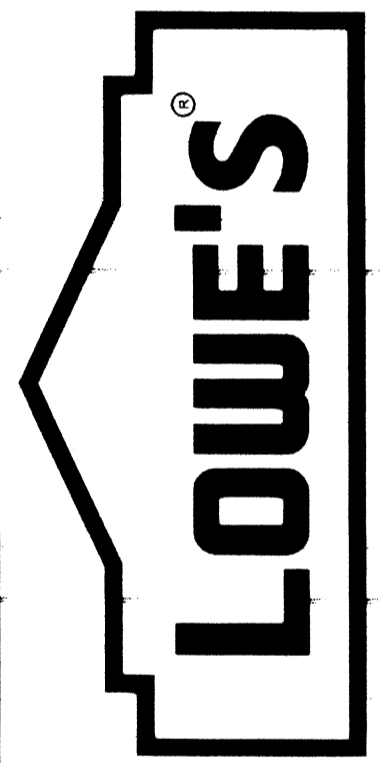
STANDARD WATER SERVICE DETAILS		
CITY ENGINEER JAMES L. ARMOUR, P.E., L.S.		
PROJECT NUMBER XXX-XXXX	DCR NUMBER XXXXXX	DATE MM/YY
CITY ENGINEER'S OFFICE CITY HALL - SEVENTH FLOOR 406 NORTH MAIN STREET WICHITA, KANSAS 67202-1620 (316) 268-4901 (316) 268-4114 FAX		
REVISION ABC	REVISION DEF	DATE X OF X

REVISIONS	
DATE	DESCRIPTION



LOWE'S HOME CENTERS, INC.
 1805 CURTIS BRIDGE ROAD
 REEC DOCK
 WILKESBORO, NC 28697
 336.658.4000 (V) 336.658.3257 (F)

THIS DRAWING IS THE PROPERTY OF LOWE'S HOME CENTERS, INC. ANY USE OR REPRODUCTION IN WHOLE OR PART IS PROHIBITED WITHOUT THE EXPRESS WRITTEN CONSENT OF LOWE'S HOME CENTERS, INC. COPYRIGHT 2003 ALL RIGHTS RESERVED



DETAIL SHEET
 LOWE'S OF
 N.W. WICHITA
 MAIZE RD. & CENTRAL PARK ST.
 WICHITA, KS.
 PROJECT No. 04-0460
 DRAWN BY: JG
 CHECKED BY: SM

ORIGINAL ISSUE DATE:	PERMIT SET ISSUE DATE:
CONSTRUCTION SET ISSUE DATE: 8-17-07	DRAWING NUMBER: 25