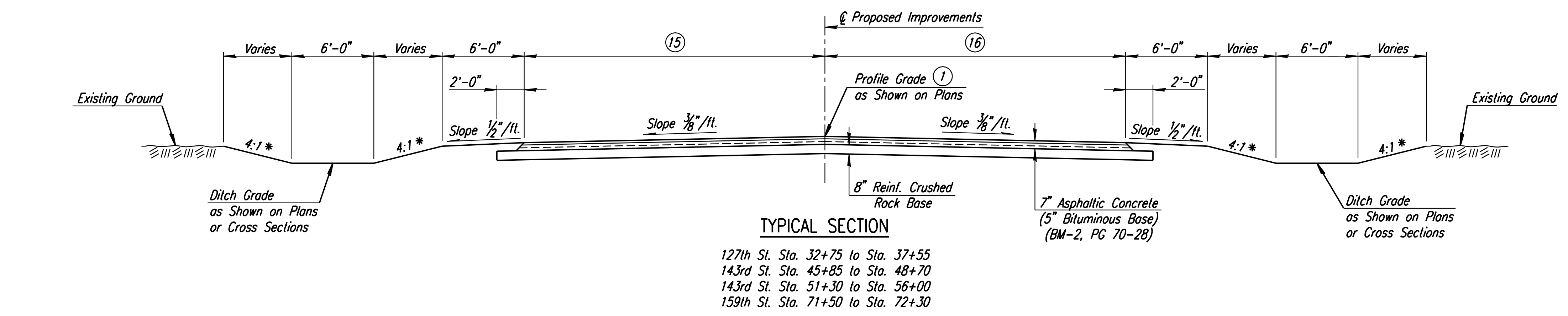
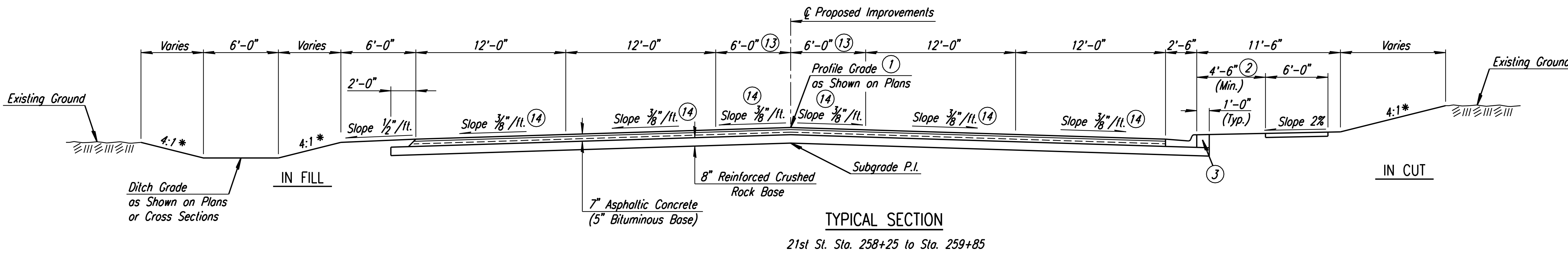
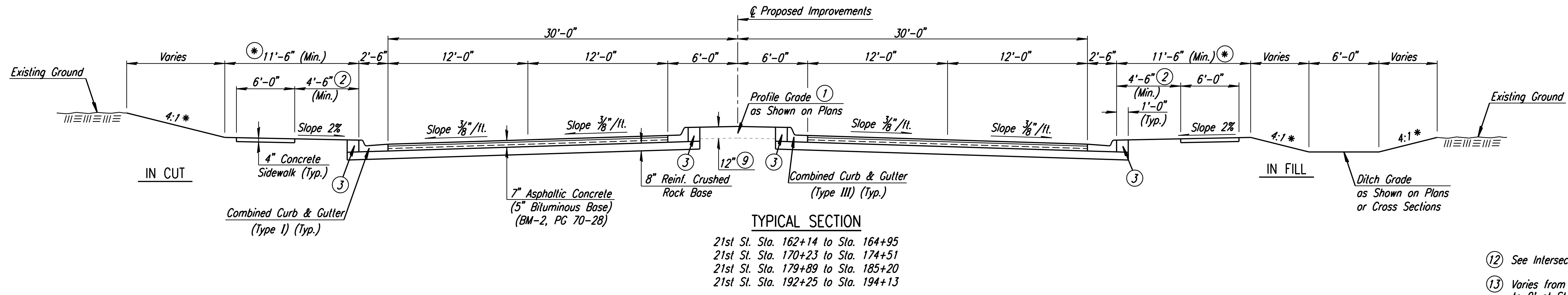
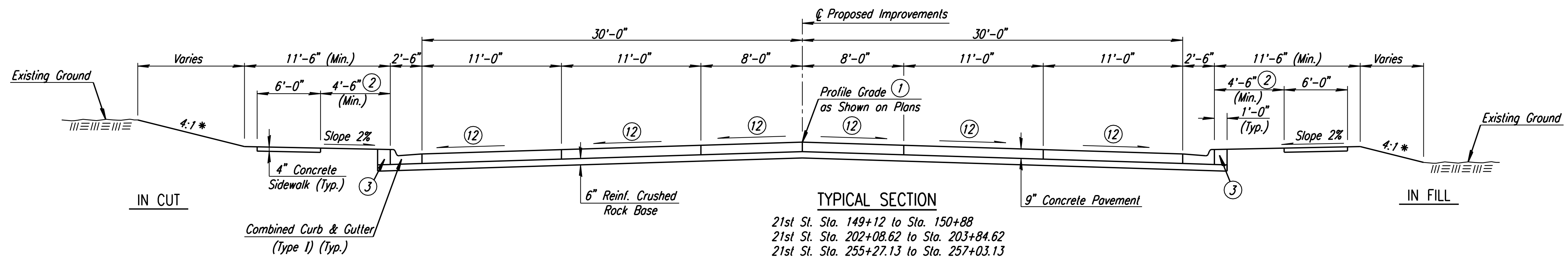


DATE	
BY	
REFERENCES NOTED	
REFERENCES CHECKED	

DSNR: JPS OPER: SVB SCALE: 1"=5'  
 I:/2001/01616/TYPICAL/01616-Typicals.dgn 5-8-2007 13:57:19 LAST REV: 5-19-2008 BY: svb



- ⑫ See Intersection Details for spot elevations.
  - ⑬ Varies from 6' at Sta. 258+25 to 0' at Sta. 259+85.
  - ⑭ Cross Slope Varies from 3/8"/ft. at Sta. 258+25 to 1/4"/ft. at Sta. 259+85.
  - ⑮ 127th St.: Varies from 32' at Sta. 32+75 to 11' at Sta. 35+90.  
11' from Sta. 35+90 to Sta. 37+55.  
143rd St.: Varies from 21'-3 3/4" at Sta. 45+85 to 32' at Sta. 48+70.  
Varies from 32' at Sta. 51+30 to 13'-6" at Sta. 54+07.50.  
13'-6" from Sta. 54+07.50 to Sta. 56+00.  
159th St.: Varies from 32' at Sta. 71+50 to 24'-11 1/4" at Sta. 72+30.
  - ⑯ 127th St.: Varies from 32' at Sta. 32+75 to 14' at Sta. 37+55.  
143rd St.: Varies from 13' at Sta. 45+85 to 32' at Sta. 48+70.  
Varies from 32' at Sta. 51+30 to 15' at Sta. 55+83.33.  
15' from Sta. 55+83.33 to Sta. 56+00.  
159th St.: Varies from 32' at Sta. 71+50 to 29'-5 5/8" at Sta. 72+30.
- \* See Cross Sections for Variations.  
 ⊙ See Plans for Retaining Wall Locations.

No.	Revision	By	Date
	21ST ST.		
<b>TYPICAL SECTIONS</b>			
JAMES L. ARMOUR, P.E.—CITY ENGINEER CITY OF WICHITA PROJECT NO. 472-84636 <b>Professional Engineering Consultants, P.A.</b> 303 S. TOPEKA • WICHITA, KANSAS 67202 316-262-2691 • FAX 316-262-3003			
Designed by	JPS	Job No.	01616
Drawn by	SVB	Date	August, 2008
			Sht. 3 of 282