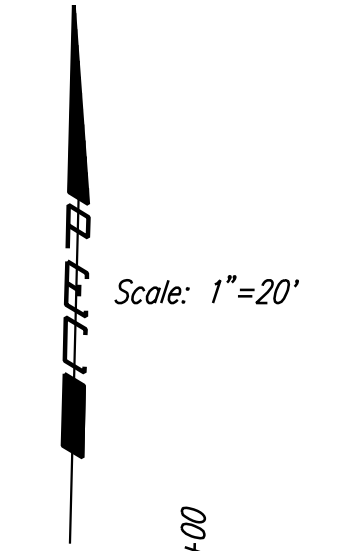
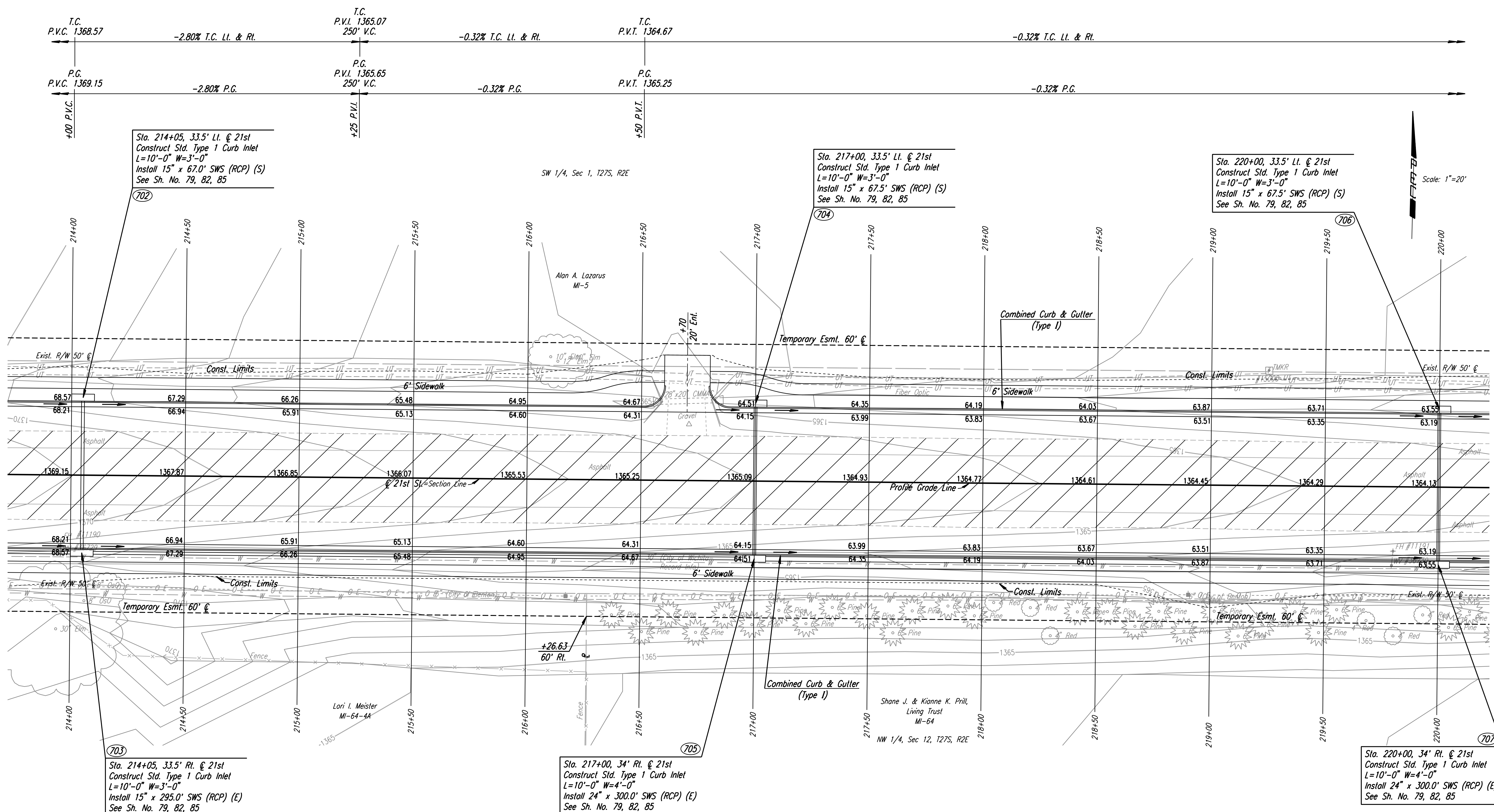


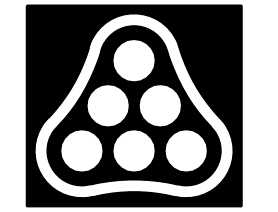
DSNR: JPS OPER: DRP SCALE: 1"=20'
 I:\2001\01616\PLAN\BDR214.DGN 5-12-2004 14:36:46 LAST REV: 5-20-2008 BY: svb



REMOVAL OF EXISTING STRUCTURES *		
STATION	SIDE	ITEM
216+77	Lt.	28"x20" CMMAC w/End Sections

* For Information Only

- UTILITIES**
- Power: Westar Energy
 - Telephone: AT&T
 - Water: Wichita Water & Sewer Dept.
 - Water: City of Benton



21ST ST. PLAN STA. 214+00 TO STA. 220+00 JAMES L. ARMOUR, P.E. - CITY ENGINEER CITY OF WICHITA PROJECT NO. 472-84636	No. _____ By _____ Date _____ Scale: 1"=20'
Professional Engineering Consultants, P.A. 303 S. TOPEKA • WICHITA, KANSAS 67202 316-262-2691 • FAX 316-262-3003	
Designed by: JPS Drawn by: SVB	Job No.: 01616 Date: August, 2008
SH. 32 of 282	