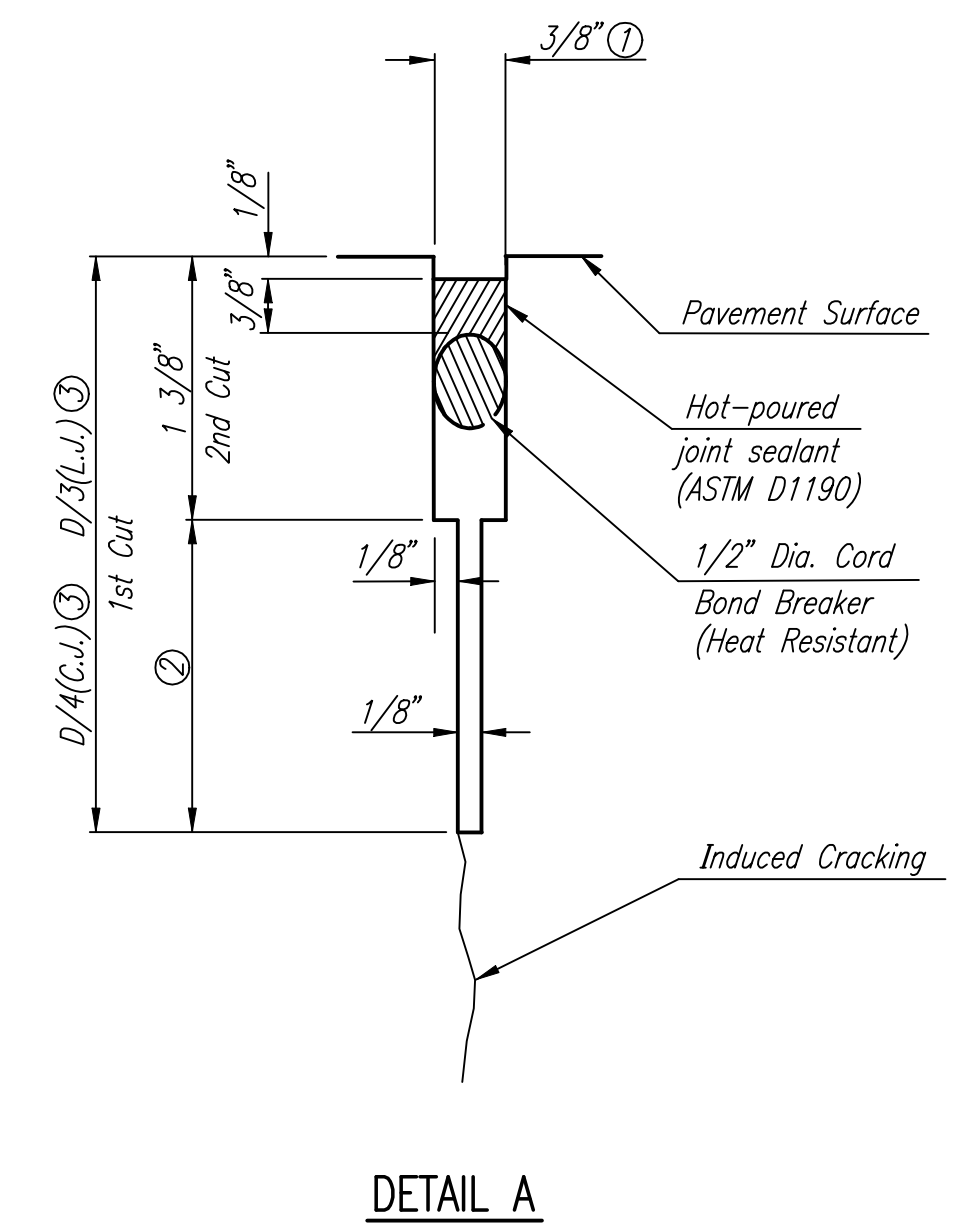
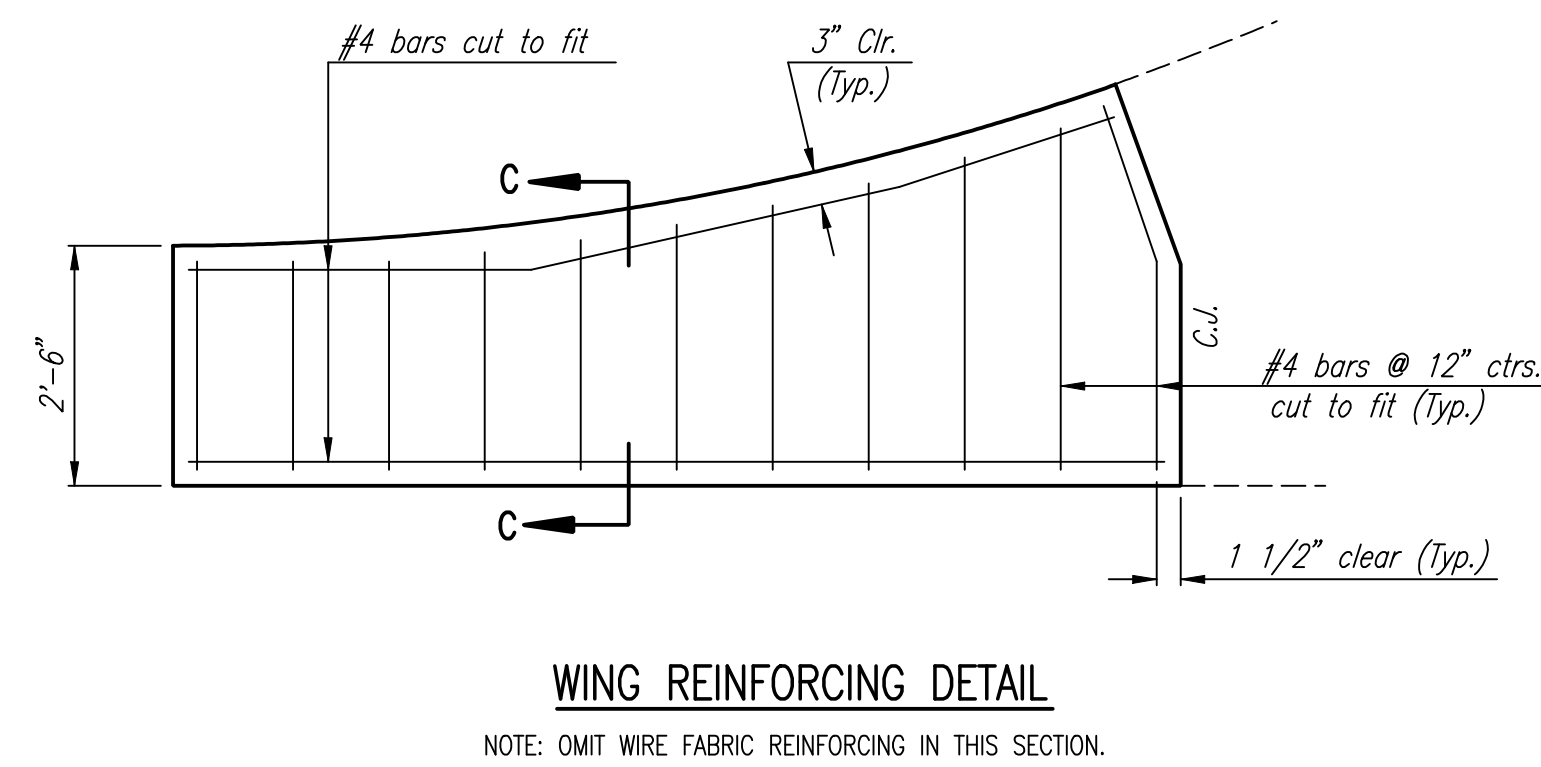
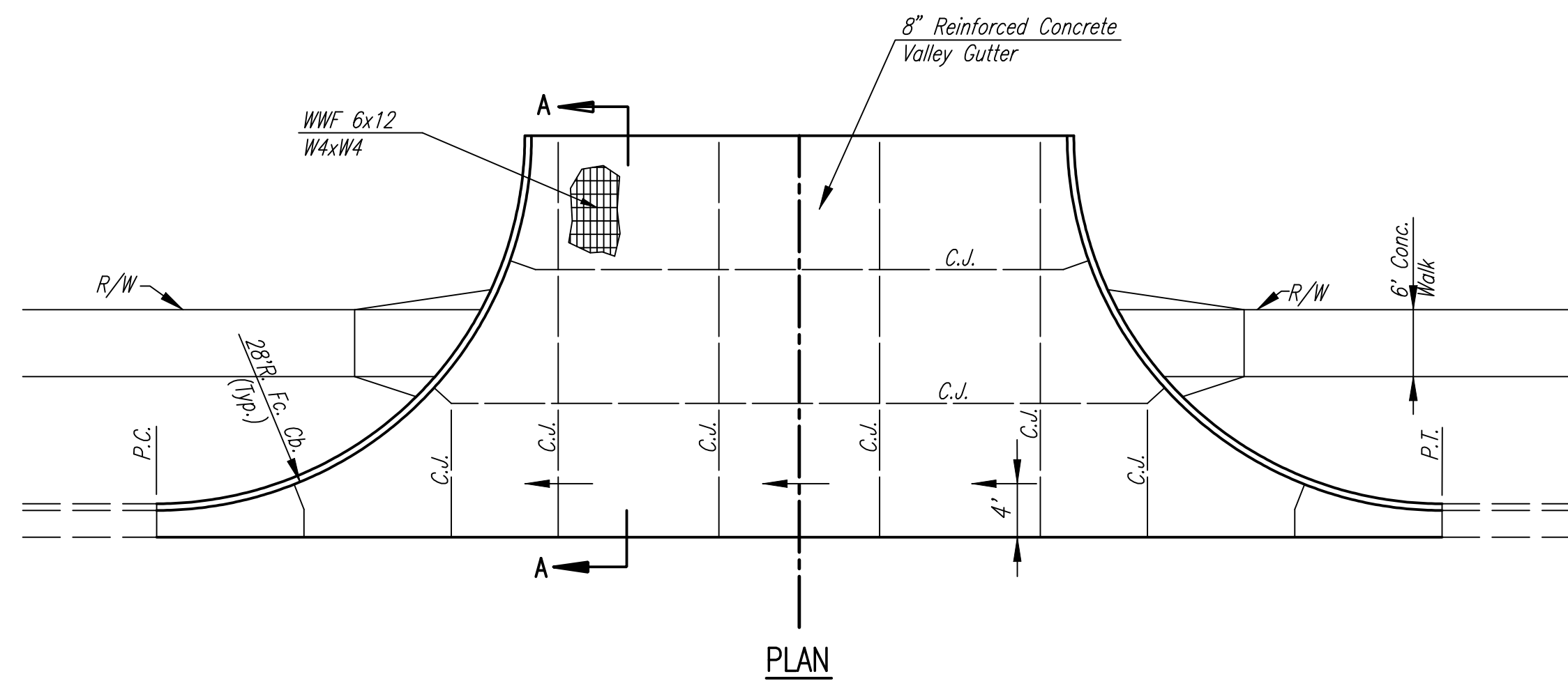
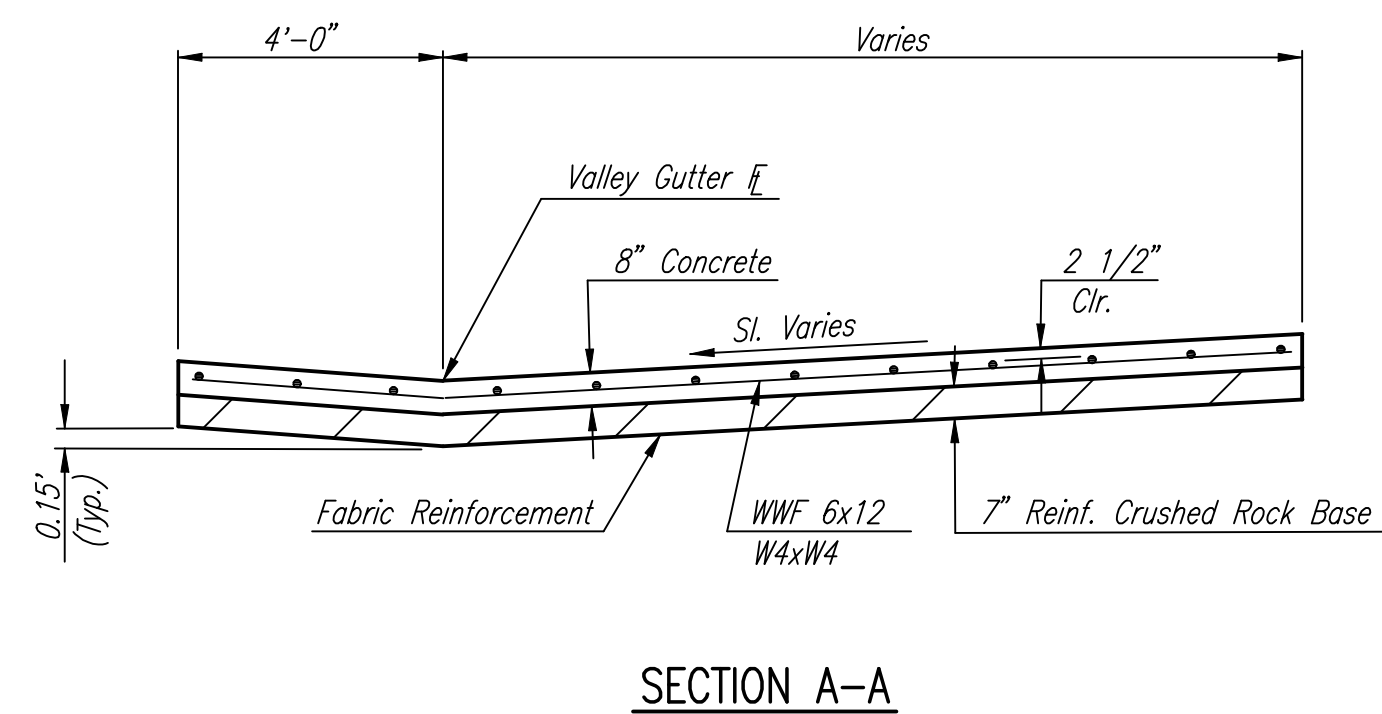


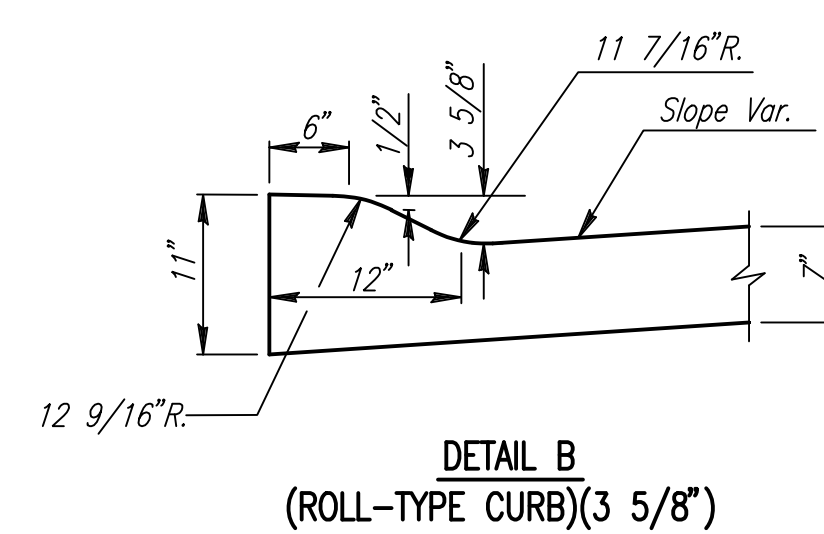
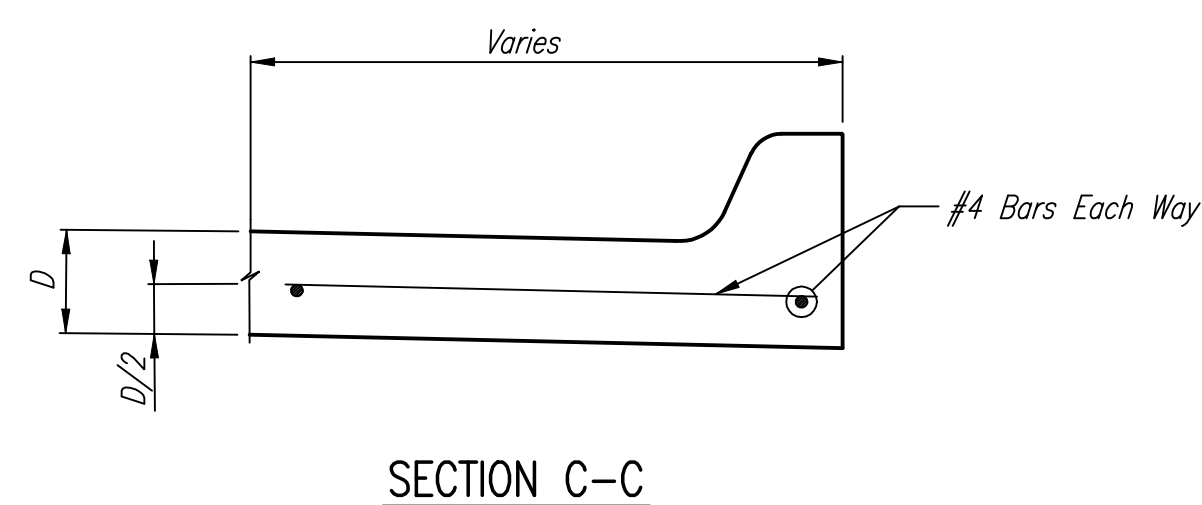
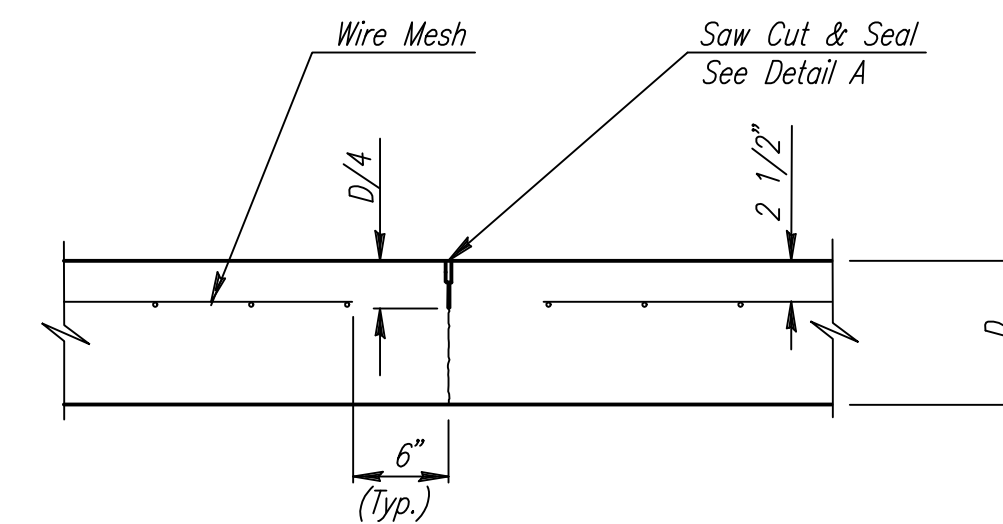
DSNR: I:/2001/01616/STANDARDS/01616-VALGUTDL v8.DGN 12-16-2007 13:33:14 LAST REV: 5-21-2008 BY: svb
 OPER: svb SCALE: I:/2001/01616/STANDARDS/01616-VALGUTDL v8.DGN 12-16-2007 13:33:14 LAST REV: 5-21-2008 BY: svb



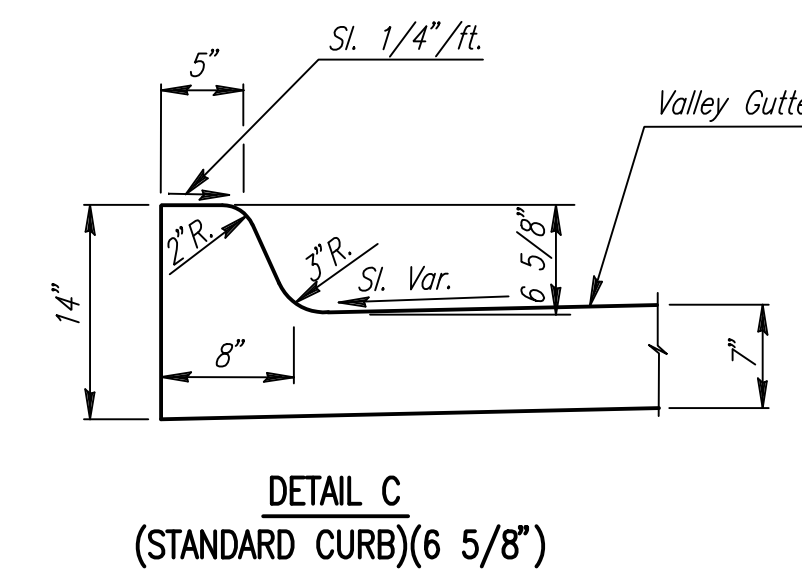
- ① To be accomplished in 2 cuts for Longitudinal Joints and Contraction Joints. Initial cut to be 1/8" wide.
- ② Eliminate bottom of cut when metal keyway is used as part of Longitudinal or Transverse Construction Joint and at Doweled Construction Joint Locations.
- ③ 1 1/2" Minimum



NOTE: OMIT REINFORCING MESH AT ALL JOINTS
 NOTE: ALL CONCRETE VALLEY GUTTER REINFORCEMENT SHALL BE ADEQUATELY SUPPORTED BY BAR CHAIRS IN THE REQUIRED POSITION UNLESS APPROVED OTHERWISE BY THE ENGINEER.



MONOLITHIC EDGE CURB



No.	Revision	By	Date
21ST ST. VALLEY GUTTER DETAILS JAMES L. ARMOUR, P.E.-CITY ENGINEER CITY OF WICHITA PROJECT NO. 472-84636 Professional Engineering Consultants, P.A. 303 S. TOPEKA • WICHITA, KANSAS 67202 316-262-2691 • FAX 316-262-3003			
Designed by	Job No. 01616	Sht. 72 of 282	
Drawn by	Date August, 2008		