

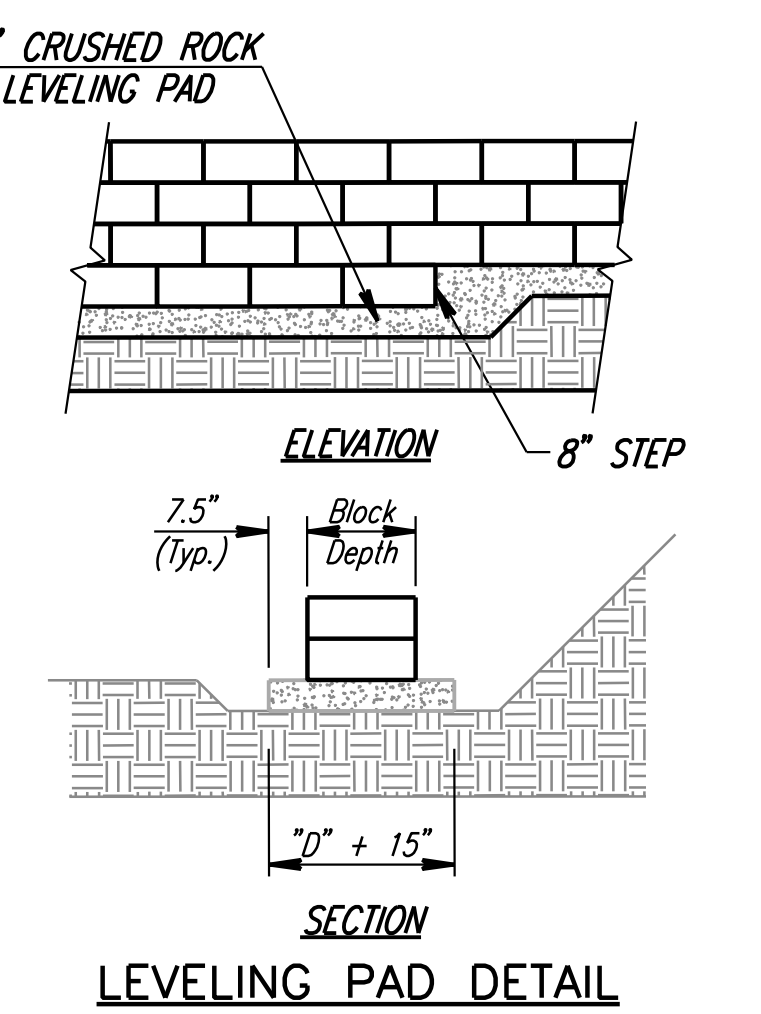
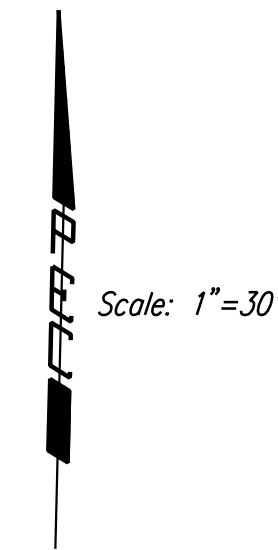
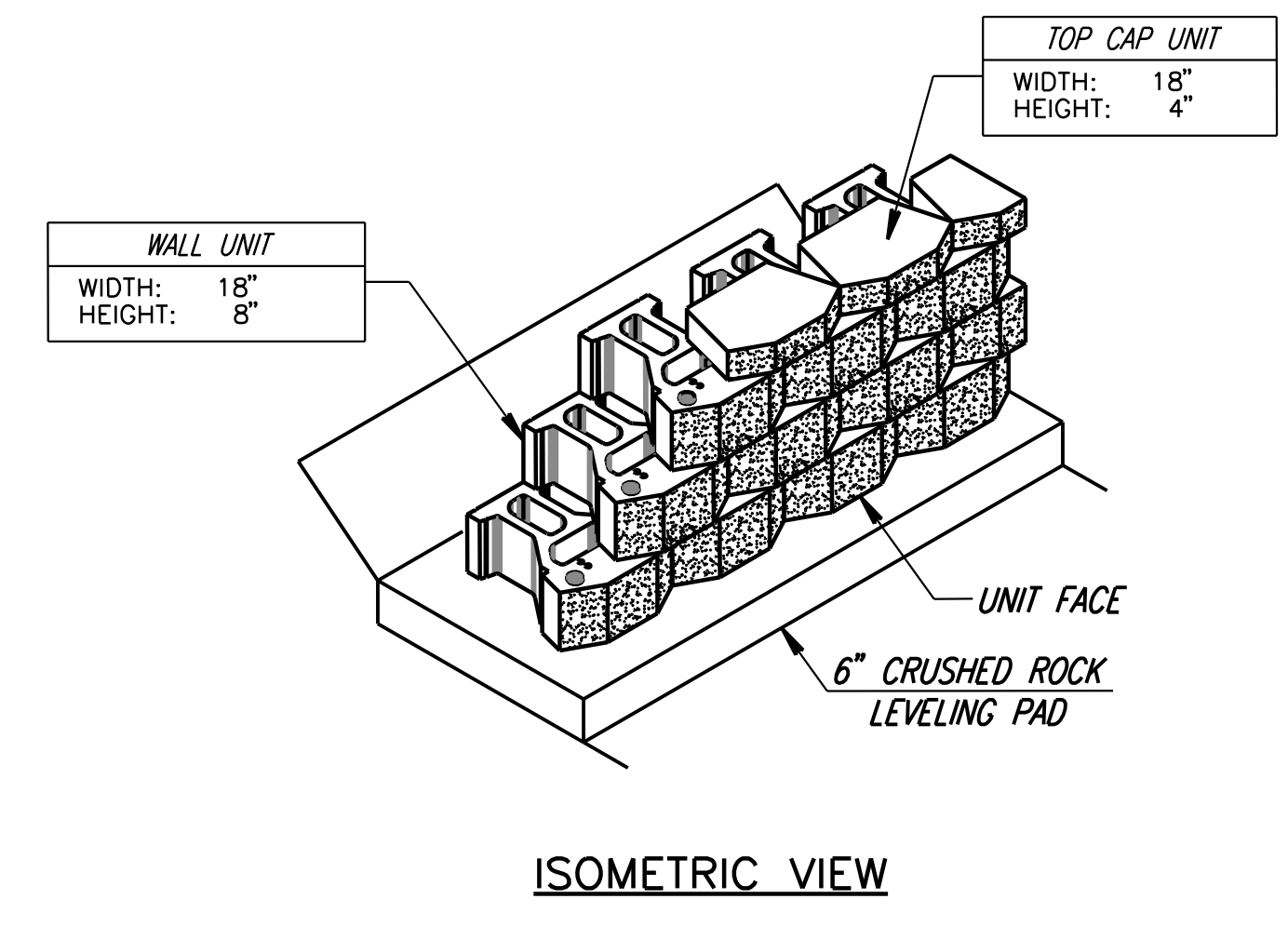
**GENERAL NOTES**

The Contractor shall provide and install the segmental retaining wall system from components supplied by Keystone, Mesa, Rockwood, or Versa-Lok, or an approved equal, in accordance with the supplier's recommendations and construction manual.

The wall units shall be beveled faced. The color shall be Tan, as approved by the Engineer.

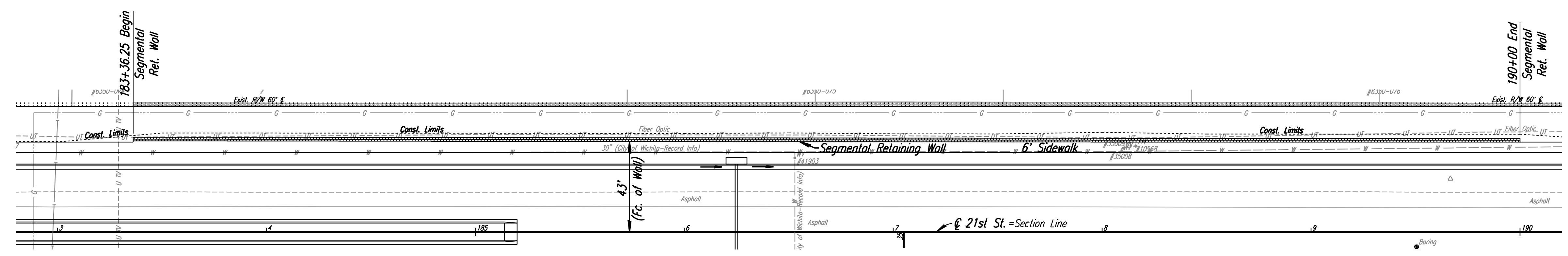
Segmental Retaining Wall will be paid for at the contract unit price bid per square foot as measured from the top of wall to the top of leveling pad. This payment will be considered full compensation for erection of the wall including but not limited to: excavation, grading, and compaction of the wall foundation, general and local dewatering as required for proper execution of the work, construction of leveling pads, erection of the modular block wall elements, placement of geogrids and connectors and compaction of select backfill material within the reinforced soil volume, and providing and placing cap units as required.

The Contractor shall be responsible for locating all underground utilities prior to construction.

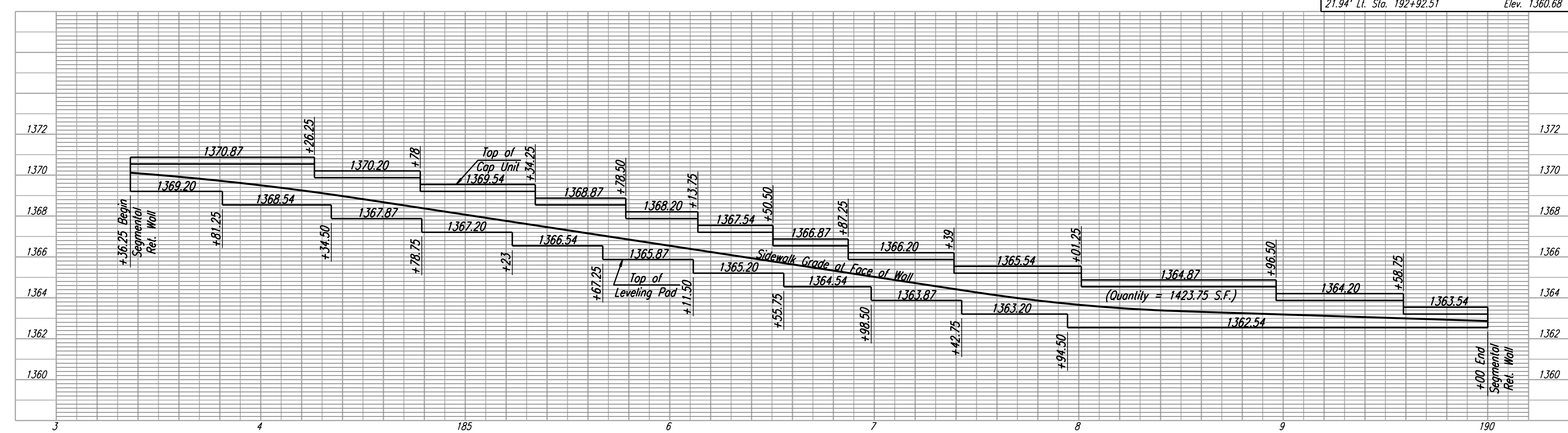


**BASE LEVELING PAD NOTES:**

1. THE LEVELING PAD IS TO BE CONSTRUCTED OF CRUSHED STONE
2. THE BASE FOUNDATION SHALL BE COMPACTED TO 90% OF STANDARD PROCTOR (ASTM D-698) PRIOR TO PLACEMENT OF THE LEVELING PAD.



BM #12 Chis. "a" Center N. headwall RCBC under 21st St. N., W of 143rd E. 21.94' Lt. Sta. 192+92.51 Elev. 1360.68



- UTILITIES**
- Cable TV: Cox Communications
  - Gas: Kansas Gas Service
  - San. Sewer: Wichita Water & Sewer Dept.
  - Telephone: AT&T
  - Water: Wichita Water & Sewer Dept.

DSNR: JPS OPER: SVB SCALE: 1"=30' I:/2001/01616/Segmental Ret. Walls/01616-SRW 183.DGN 8-1-2007 14:36:46 LAST REV: 5-21-2008 BY: svb

**SEGMENTAL RET. WALL**  
 PLAN & PROFILE  
 STA. 183+36.25 TO STA. 190+00  
 C.O.W. PROJ. NO. 472-84636  
 Date August, 2008  
 Job No. 01616  
 Drawn by SVB  
 Designed by JPS  
 Professional Engineering Consultants, P.A.  
 303 S. TOPEKA WICHITA, KANSAS 67202  
 316.266.2891 • FAX 316.266.3600