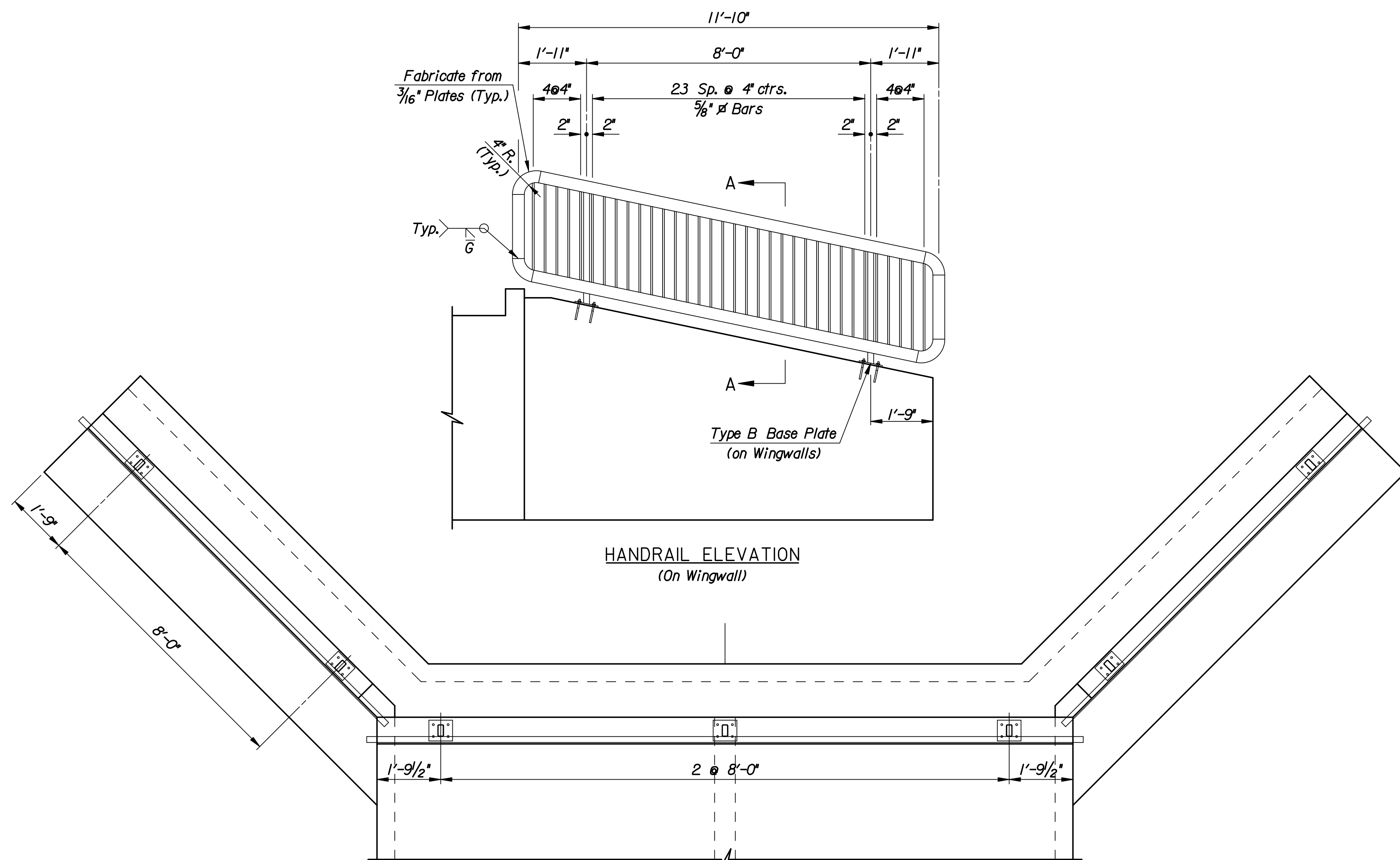
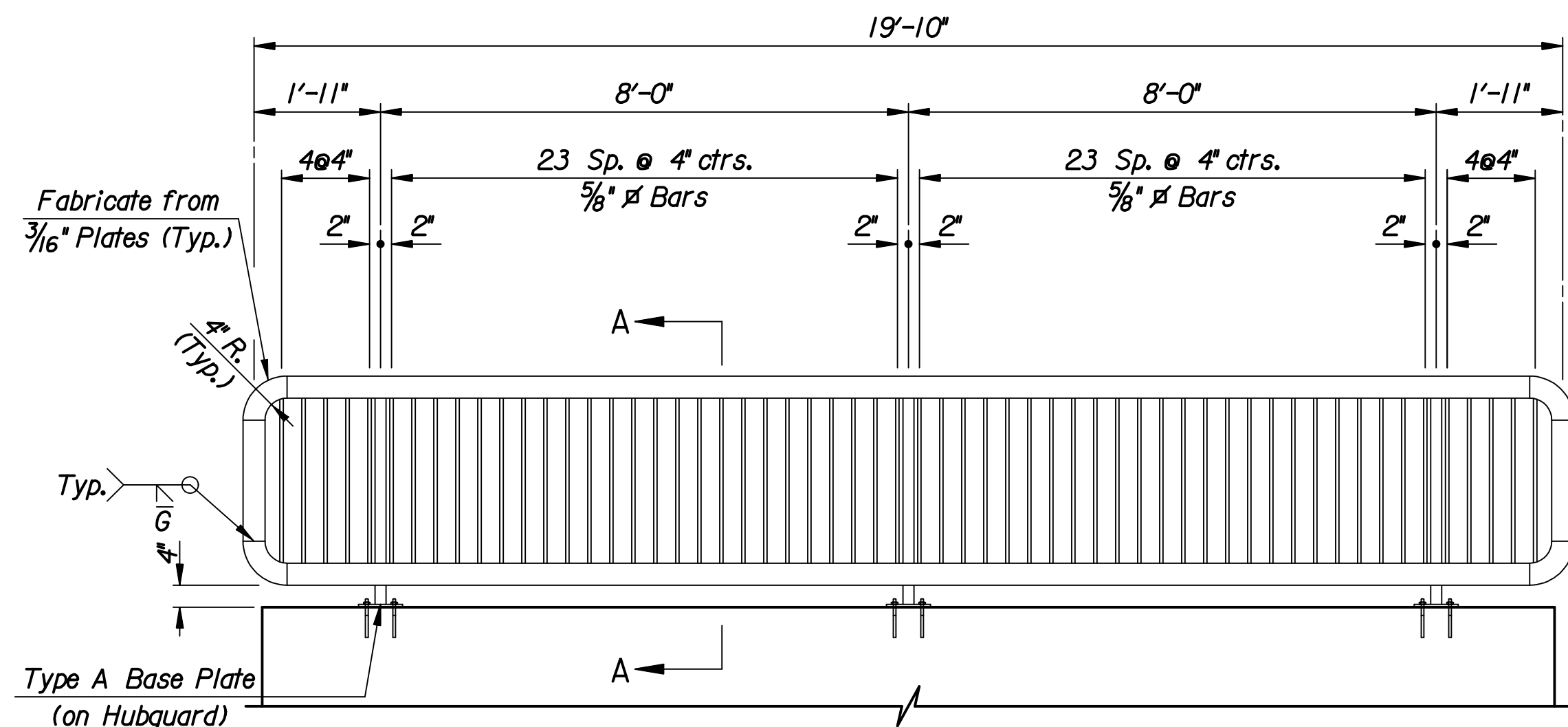


DSNR: MSN OPER: MSN SCALE: I:/2001/01616/ROB/01616-Handrail-Station165+14.DGN 04-13-2007 16:00:00 LAST REV: 5-21-2008 BY: svb

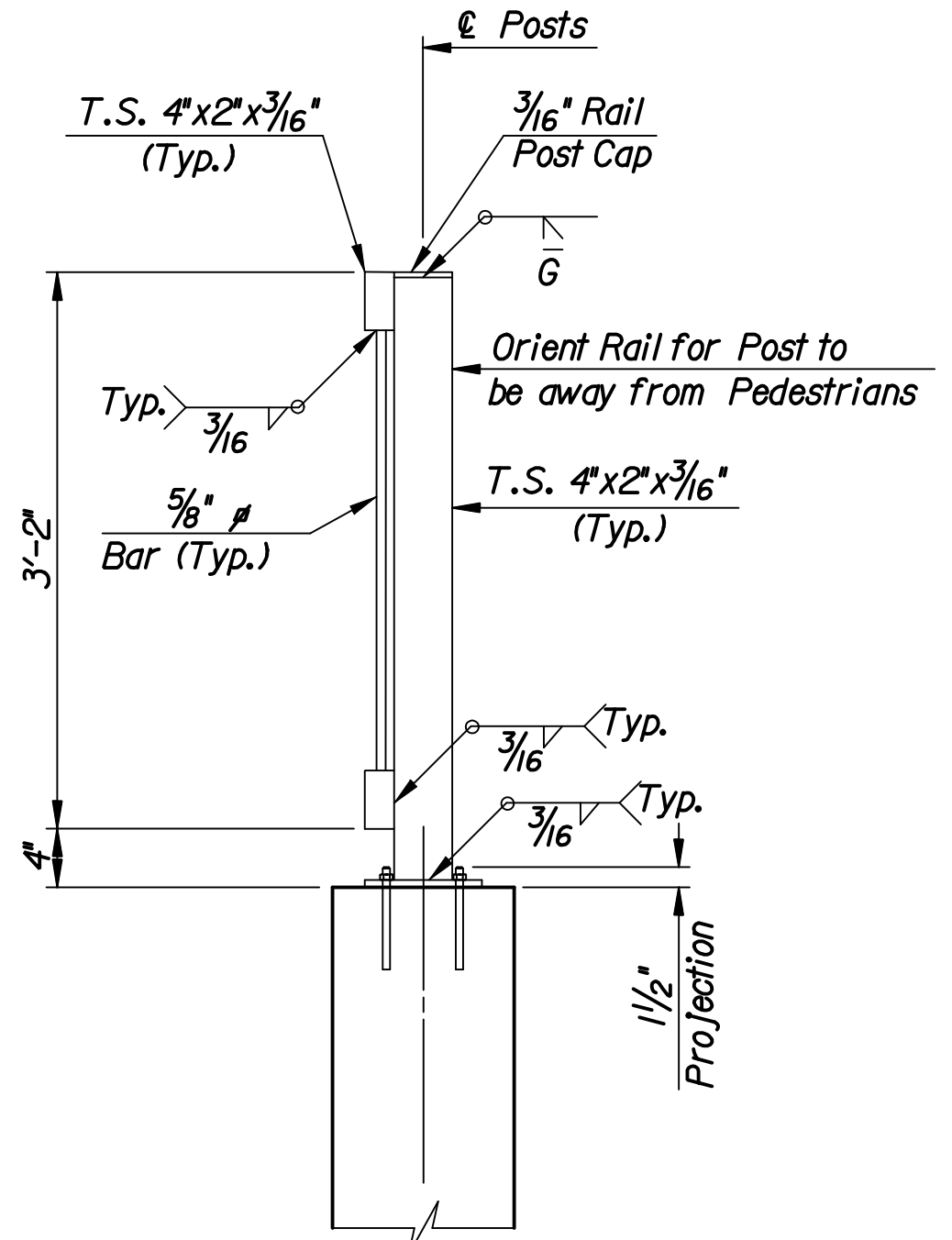


HANDRAIL ELEVATION
(On Wingwall)

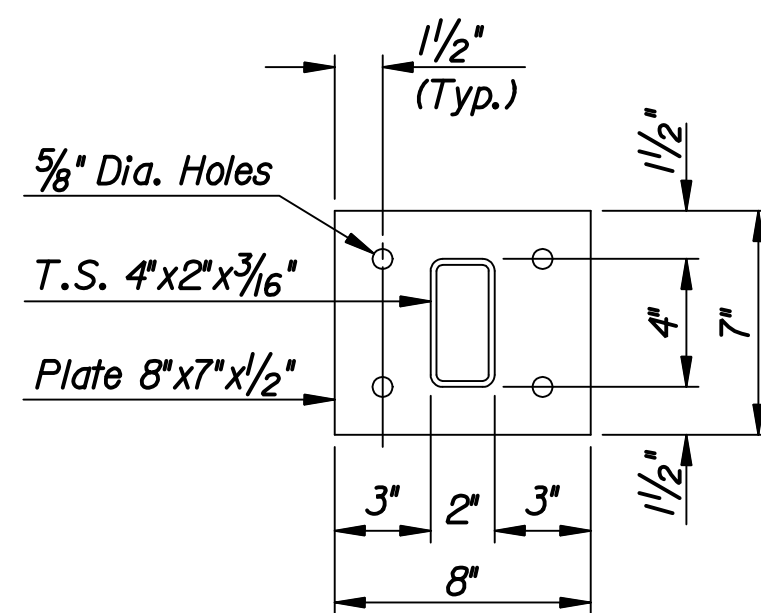
HANDRAIL PLAN



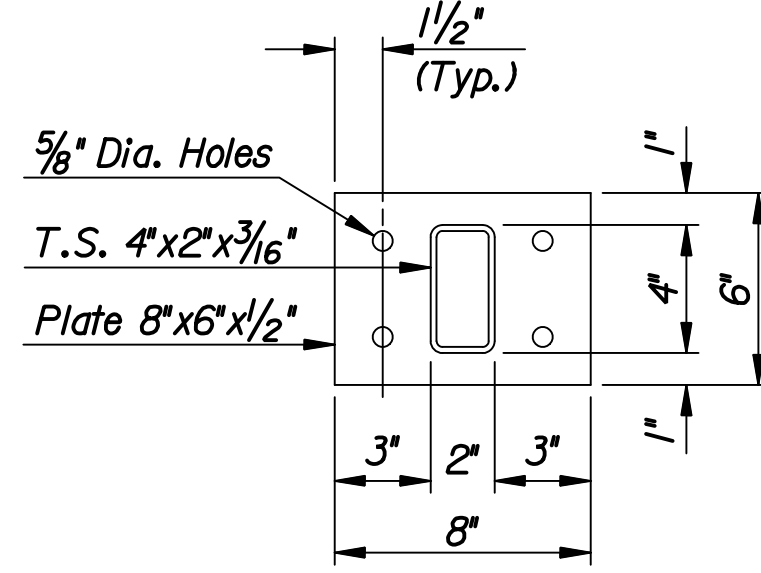
HANDRAIL ELEVATION
(On Hubguard)



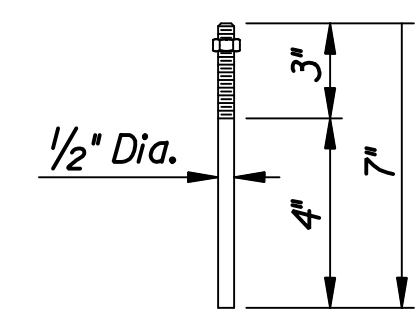
SECTION A-A
Center Posts on Hubguard or Wingwall



TYPE A BASE PLATE
(6 Required)



TYPE B BASE PLATE
(8 Required)



ANCHOR BOLT
Galvanized (ASTM A153)
(May substitute expandable anchor bolts when approved by the Engineer)

GENERAL NOTES

The horizontal members of the Rail and Posts shall be hollow structural tubing. All structural steel tubing shall comply to A.S.T.M. designation A36 or A500 Grade B respectively. Rail shall be fabricated in lengths as shown from joint to joint and joint to end. Post and Bars shall be set vertical and shimmed if required. Prior to painting abrasive blast to commercial finish SSPC-SP6 to obtain a surface profile of 1-1/2 Mils. The shop and field coats applied to structural steel shall conform to an inorganic Zinc Primer with water-borne Acrylic finish coat. (The finish coat shall match Carboline *C900, Ebony Black). Provide a color sample to the Engineer with shop drawing submittal. Material and construction shall conform to the structural welding code A.W.S. D1.1-01. Shop details must be submitted and approved by the Engineer.

SUMMARY OF QUANTITIES	
Handrail (Steel) (3'-6")	87 L.F.

No.	Revision	By	Date
21ST ST. PEDESTRIAN HANDRAIL RCB STA. 165+14.00 JAMES L. ARMOUR, P.E.—CITY ENGINEER CITY OF WICHITA PROJECT NO. 472-34636 Professional Engineering Consultants, P.A. 303 S. TOPEKA • WICHITA, KANSAS 67202 316-262-2691 • FAX 316-262-3003			
Designed by	MSN	Job No.	01616
Drawn by	CP	Date	August, 2008
			Sht. 94 of 282