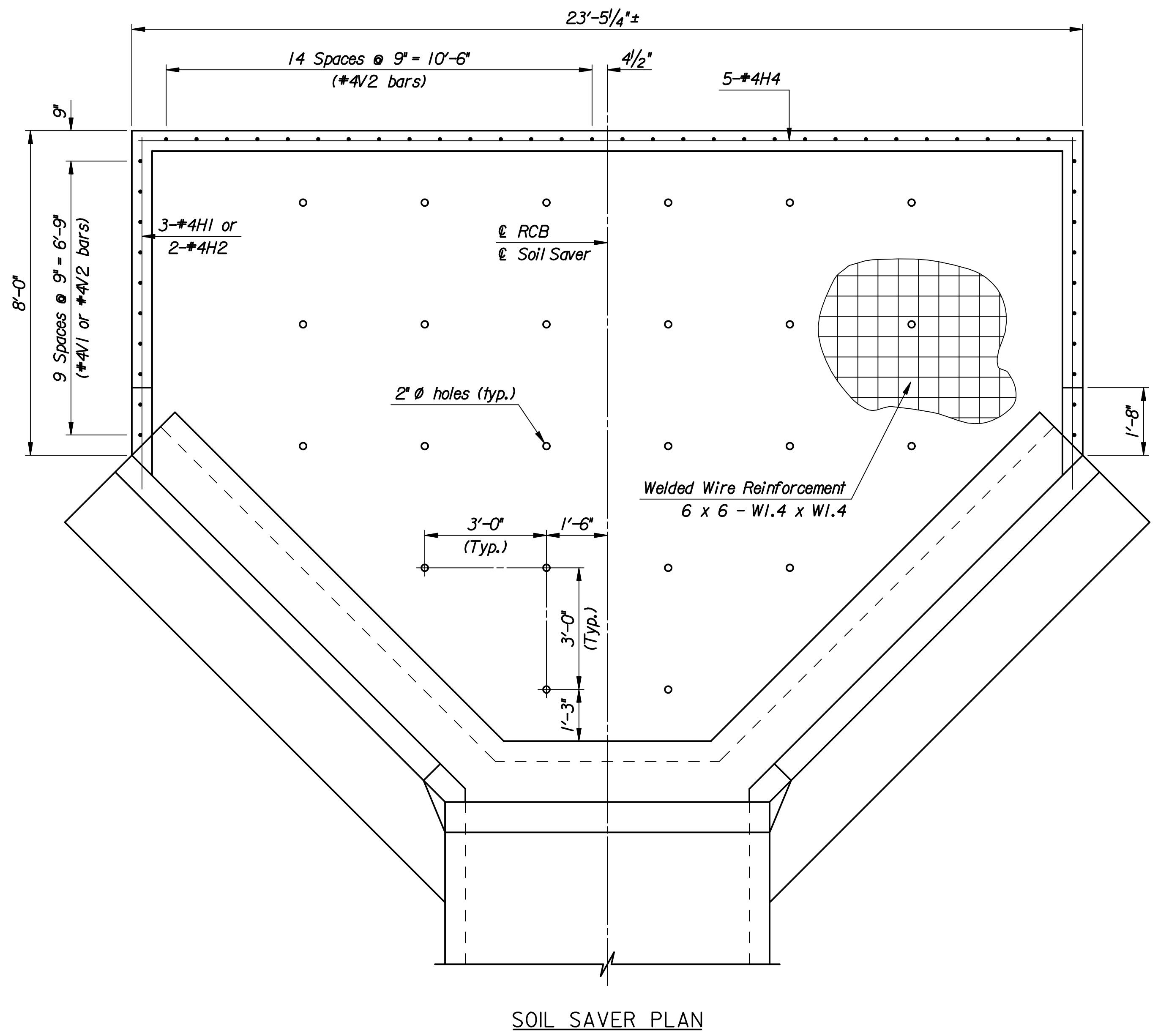
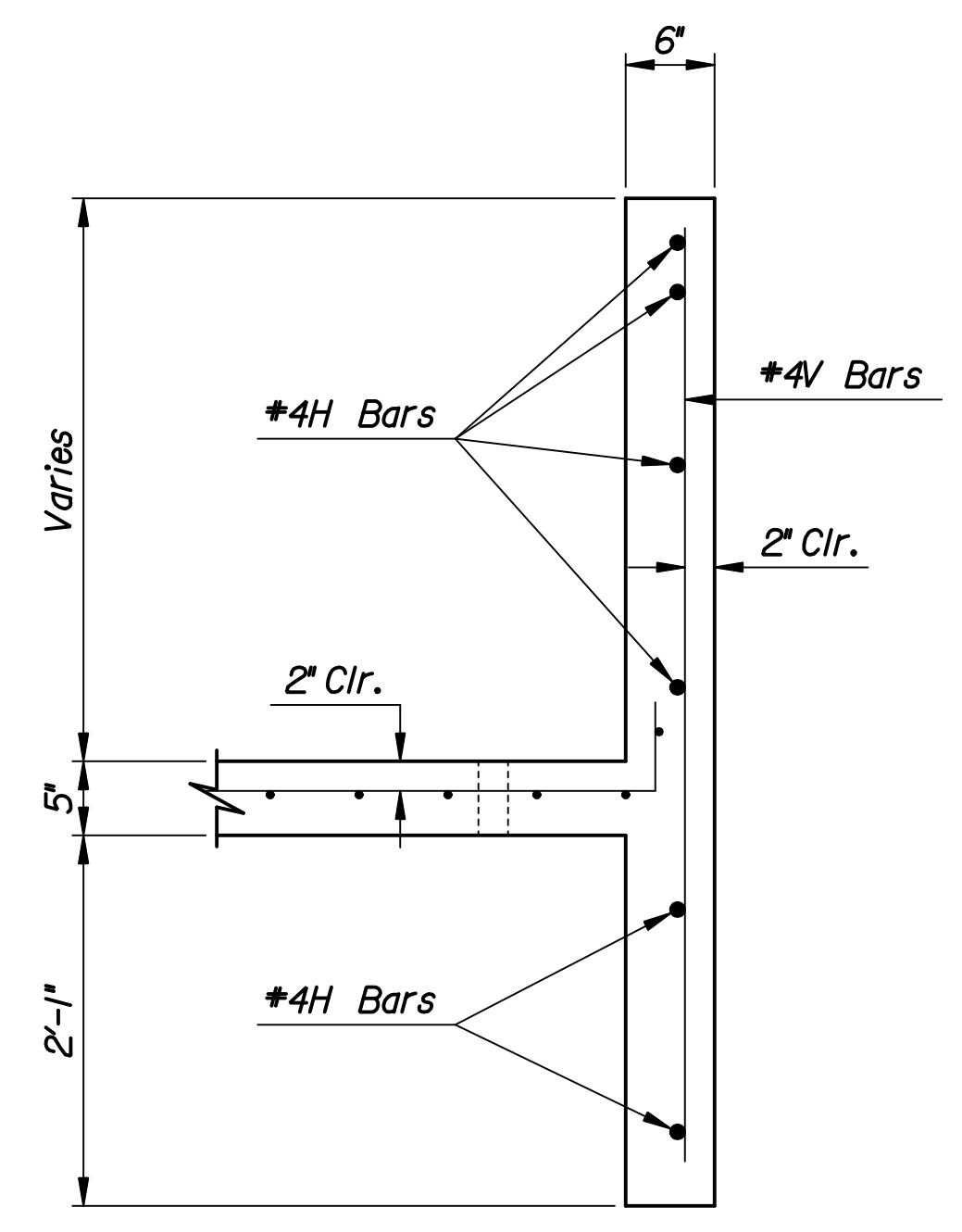


DSNR: MSN OPER: MSN SCALE: 1:2001/01616/RCB/01616_Soil_Saver_Station225+45.DGN 12-28-2007 16:00:00 LAST REV: 5-21-2008 BY: svb



SOIL SAVER PLAN



SECTION

GENERAL NOTES

Concrete: Concrete (Grade 4.0) shall be used throughout. All exposed edges shall be beveled with a 3/4" triangular mounding.

Reinforcing: All reinforcing shall conform to ASTM A615, Grade 60. Welded Wire Reinforcement shall conform to ASTM A185. All dimensions are to the centerline of bars unless otherwise noted.

Welded Wire Reinforcement shall be paid as pounds of reinforcing steel.

When weep holes in the apron are warranted by drainage conditions they shall be constructed as directed by the Engineer.

Drill and grout #4H1 and #4H3 bars into wingwalls when the soil saver is constructed separately from the wingwalls.

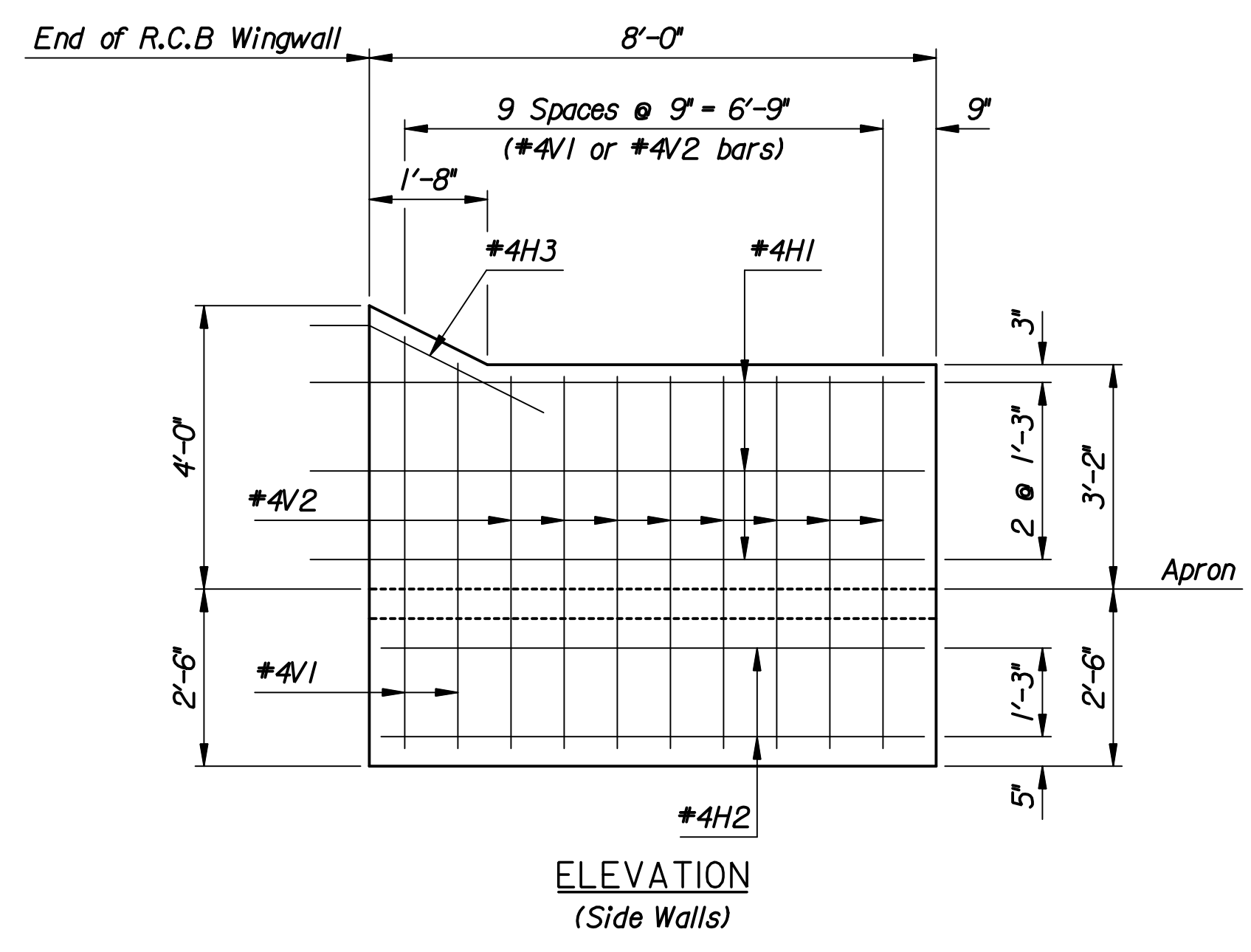
BILL OF REINFORCING			
Mark	Number	Size	Length
H1	6	#4	8'-8"
H2	4	#4	7'-4"
H3	2	#4	3'-4"
H4	5	#4	23'-1"
V1	4	#4	Varies
V2	46	#4	5'-3"

Varies from 5'-5" to 5'-9"
by 4" (cut 2 each length)

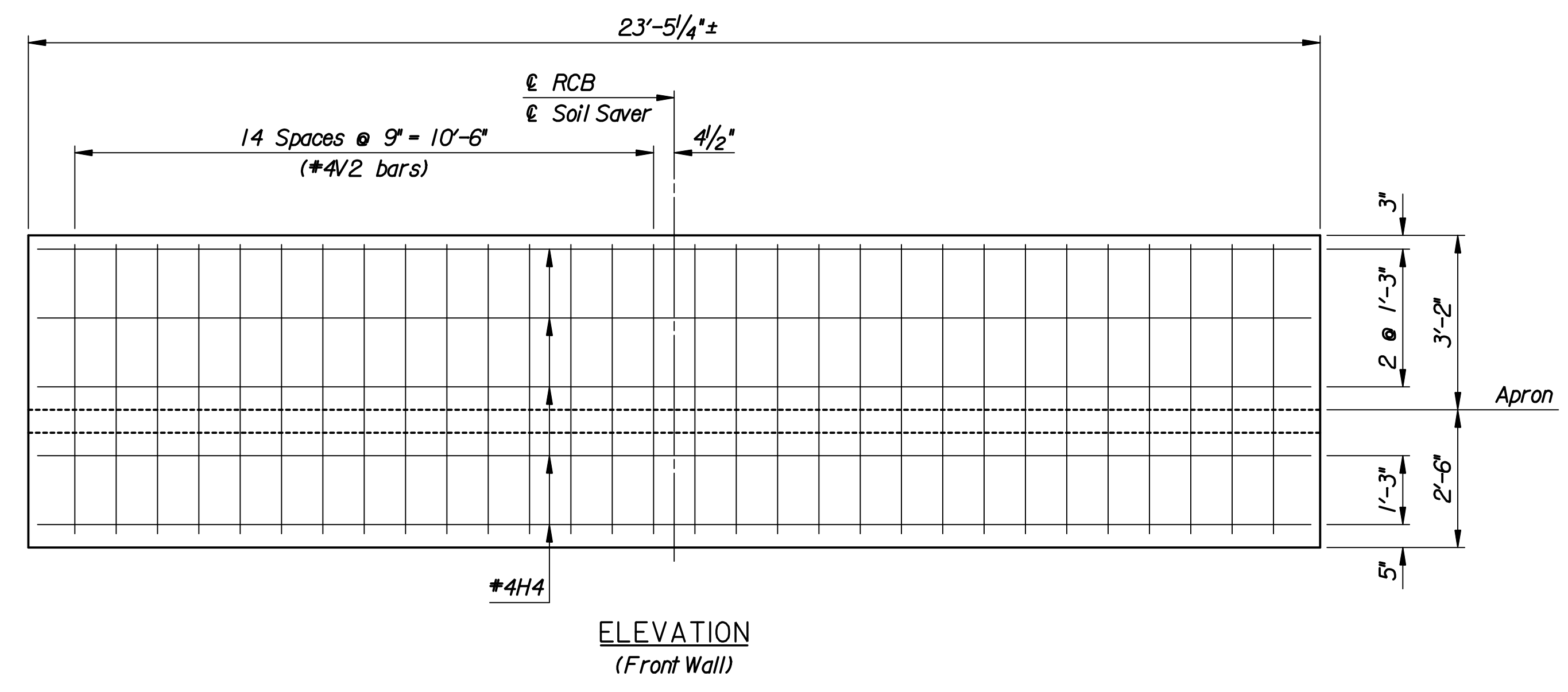
VI

SUMMARY OF QUANTITIES *		
Item	Quantity	Units
Welded Wire Reinforcement	270.6	Sq. Ft.
Concrete (Grade 4.0)	6.88	Cu. Yds.
Reinforcing Steel	368.9	Lbs.

* For Information Only.



ELEVATION (Side Walls)



ELEVATION (Front Wall)

	21ST ST. SOIL SAVER RCB STA 225+45.00 <small>JAMES L. ARMOUR, P.E. - CITY ENGINEER CITY OF WICHITA PROJECT NO. 472-84636</small>		No. _____ Revision _____ By _____ Date _____
	Professional Engineering Consultants, P.A. <small>303 S. TOPEKA • WICHITA, KANSAS 67202 316-262-2691 • FAX 316-262-3003</small>		
	Designed by MSN Drawn by MSN	Job No. 01616 Date August, 2008	Sht. 105 of 282