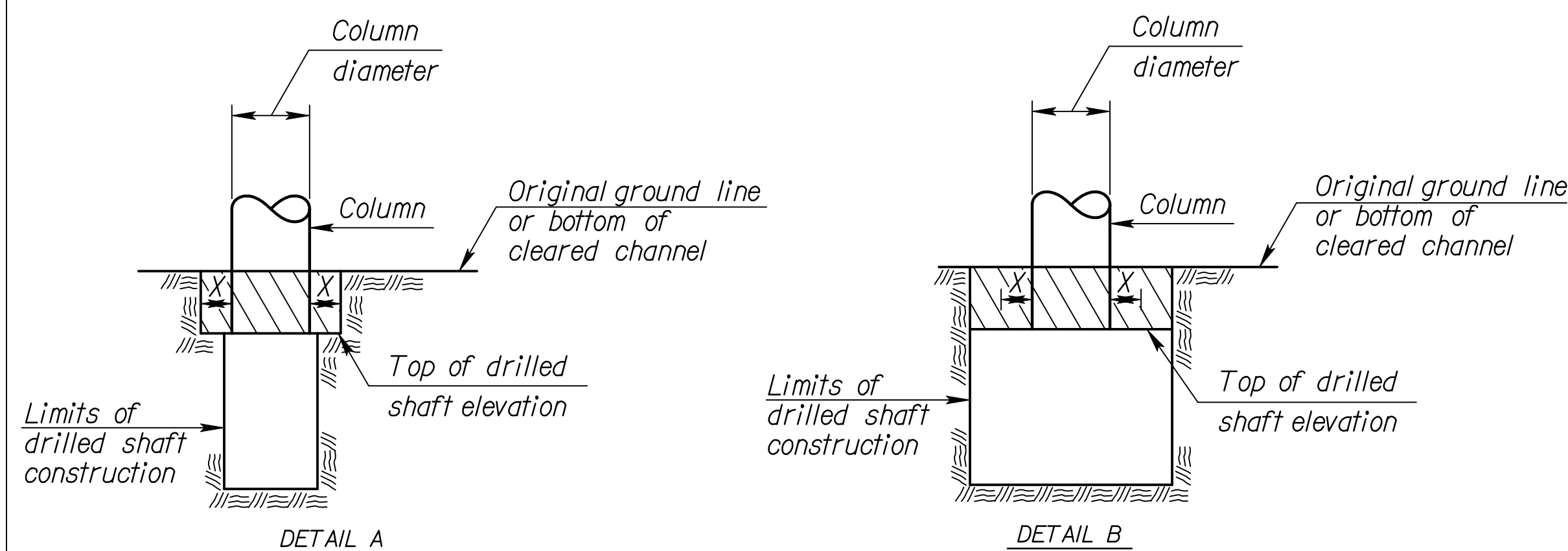
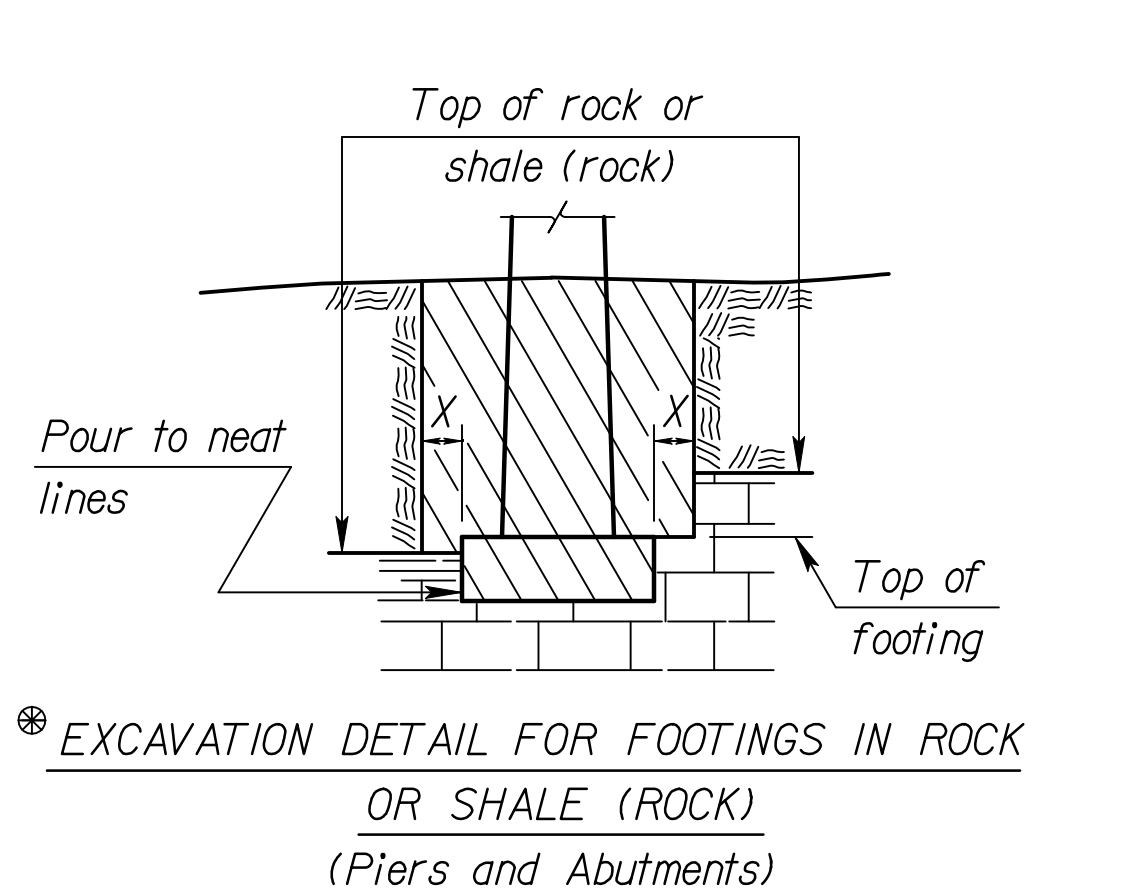
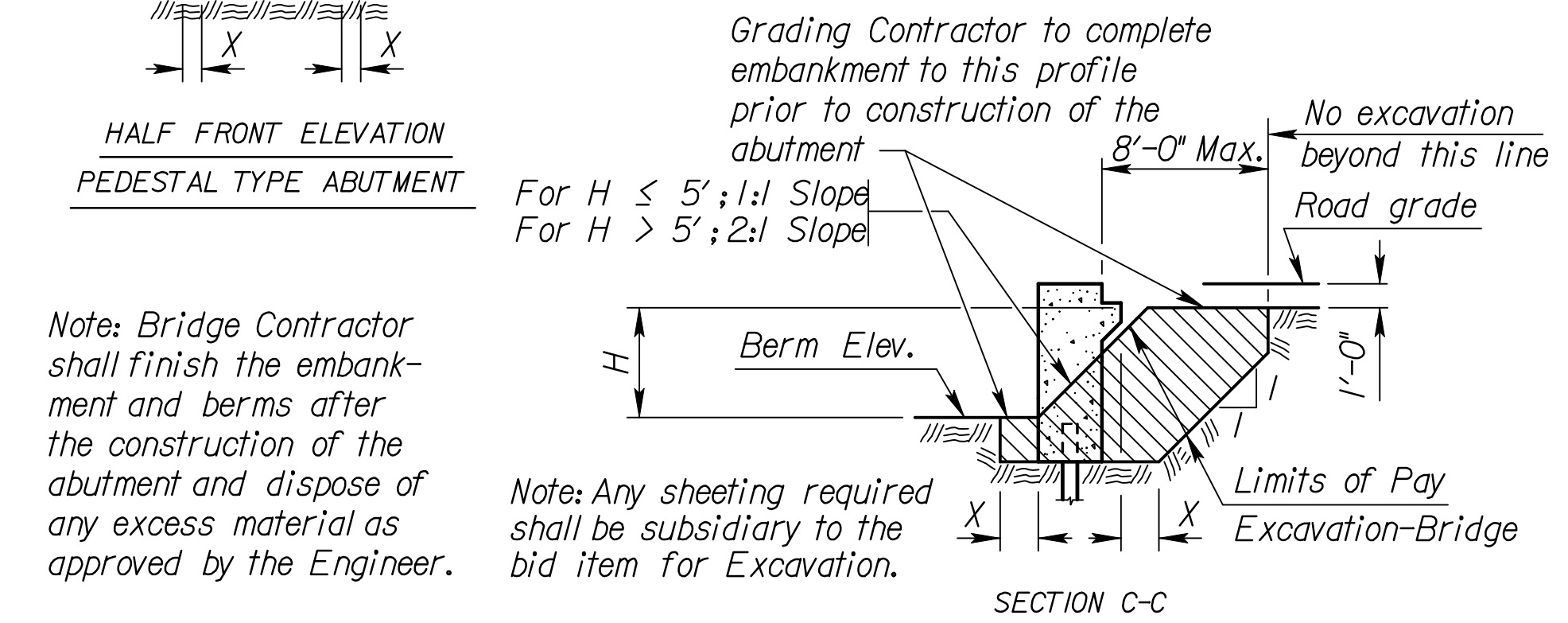
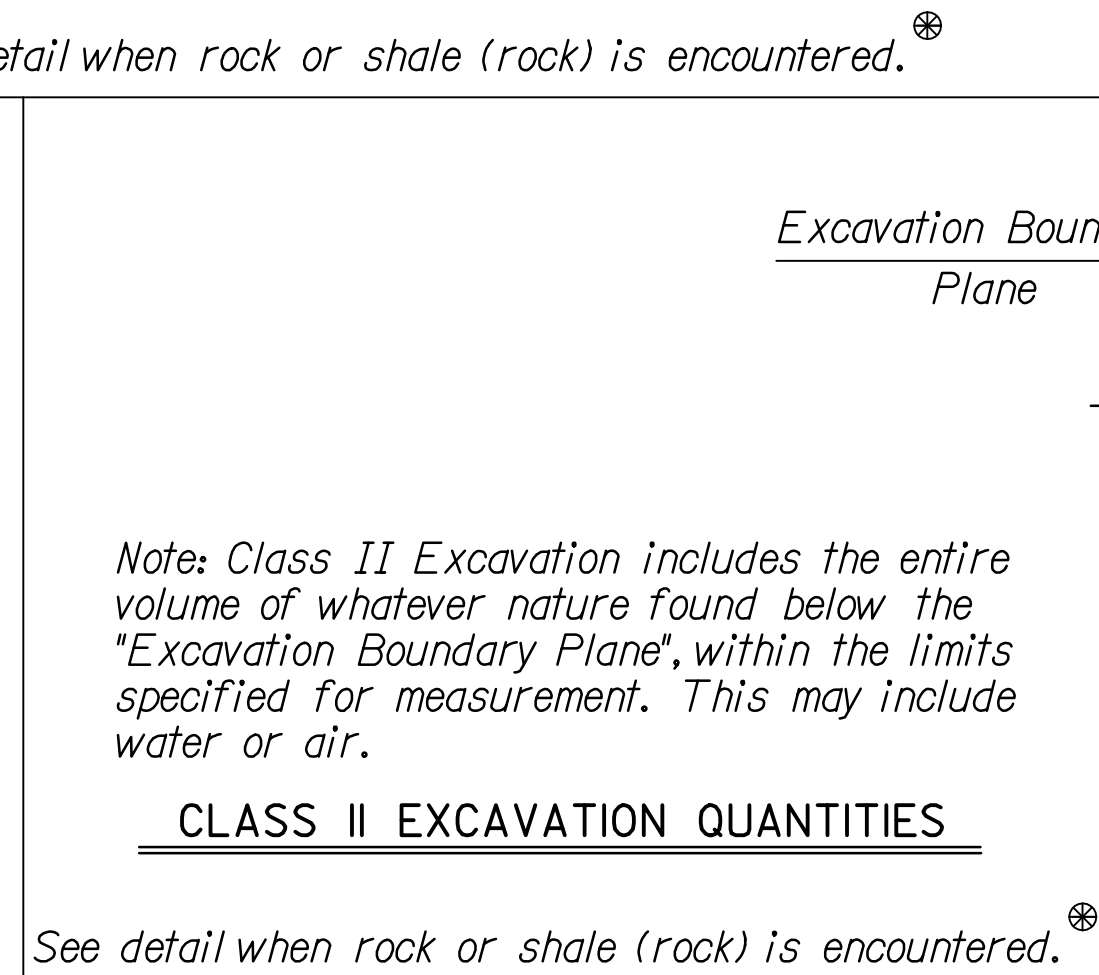
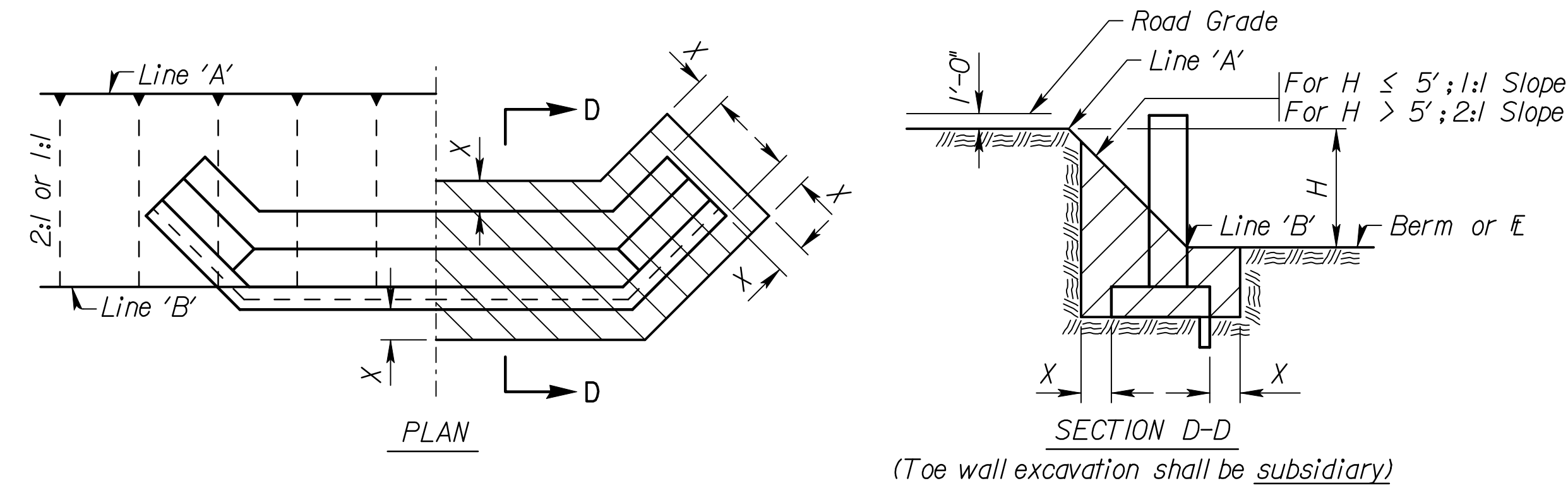
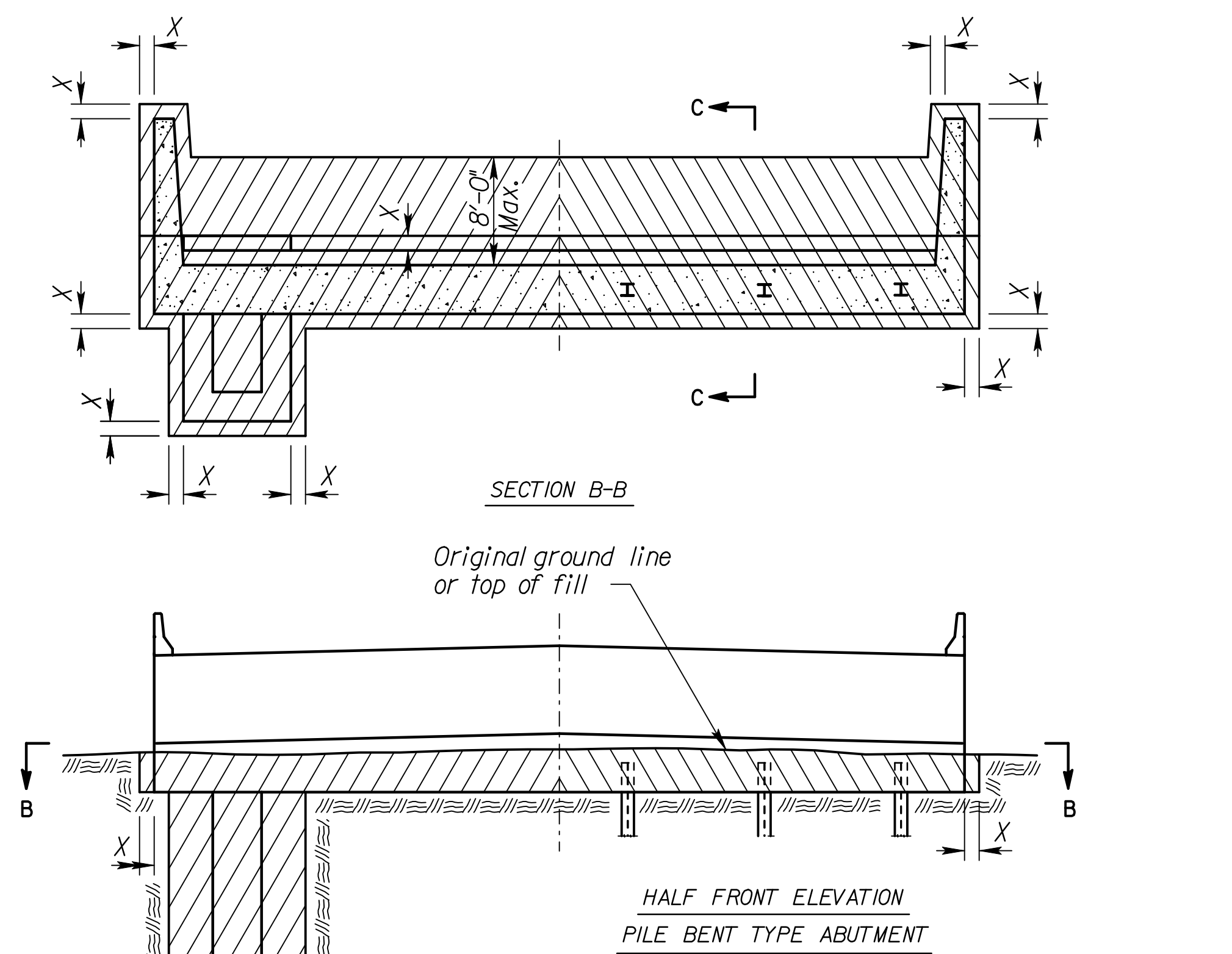
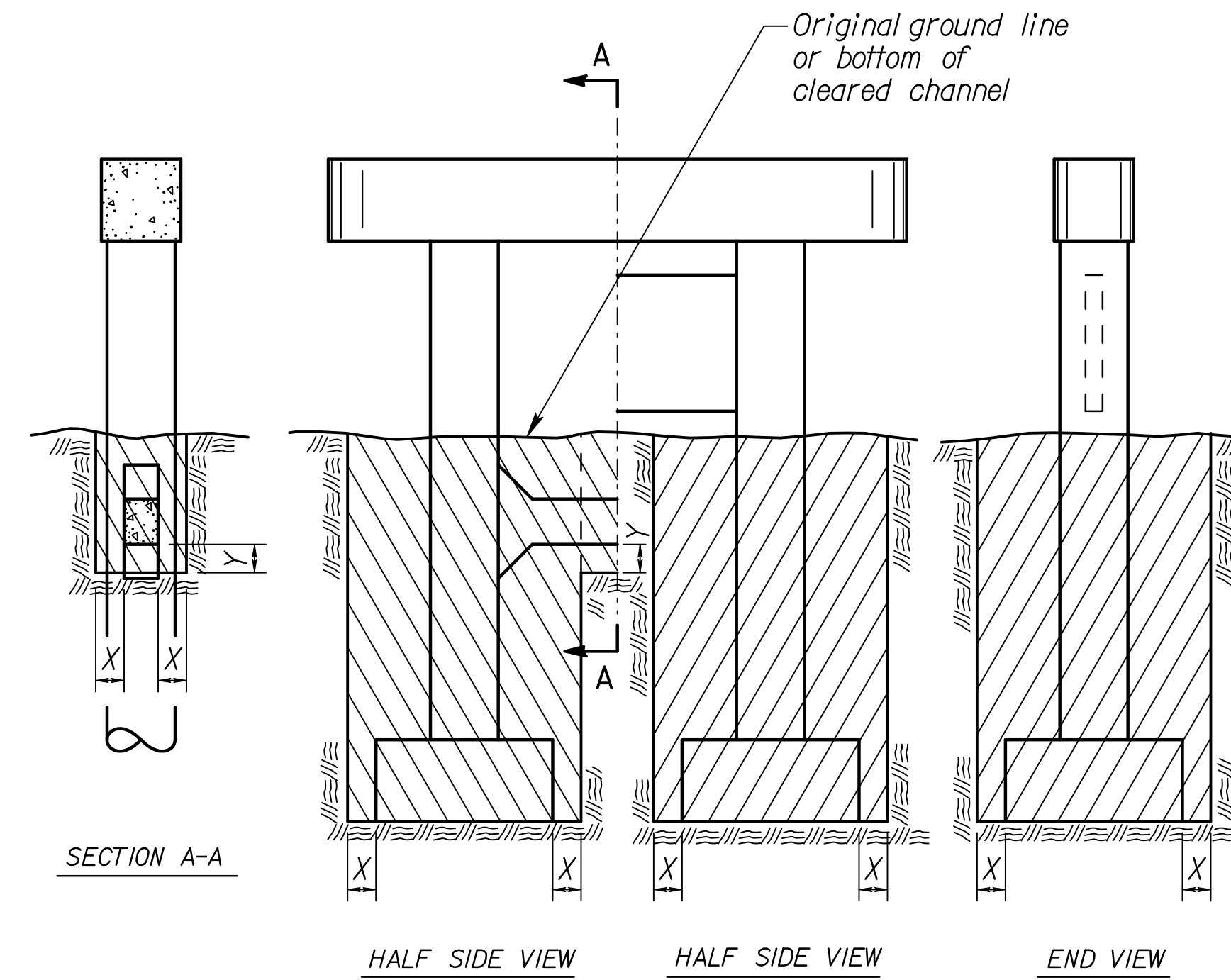
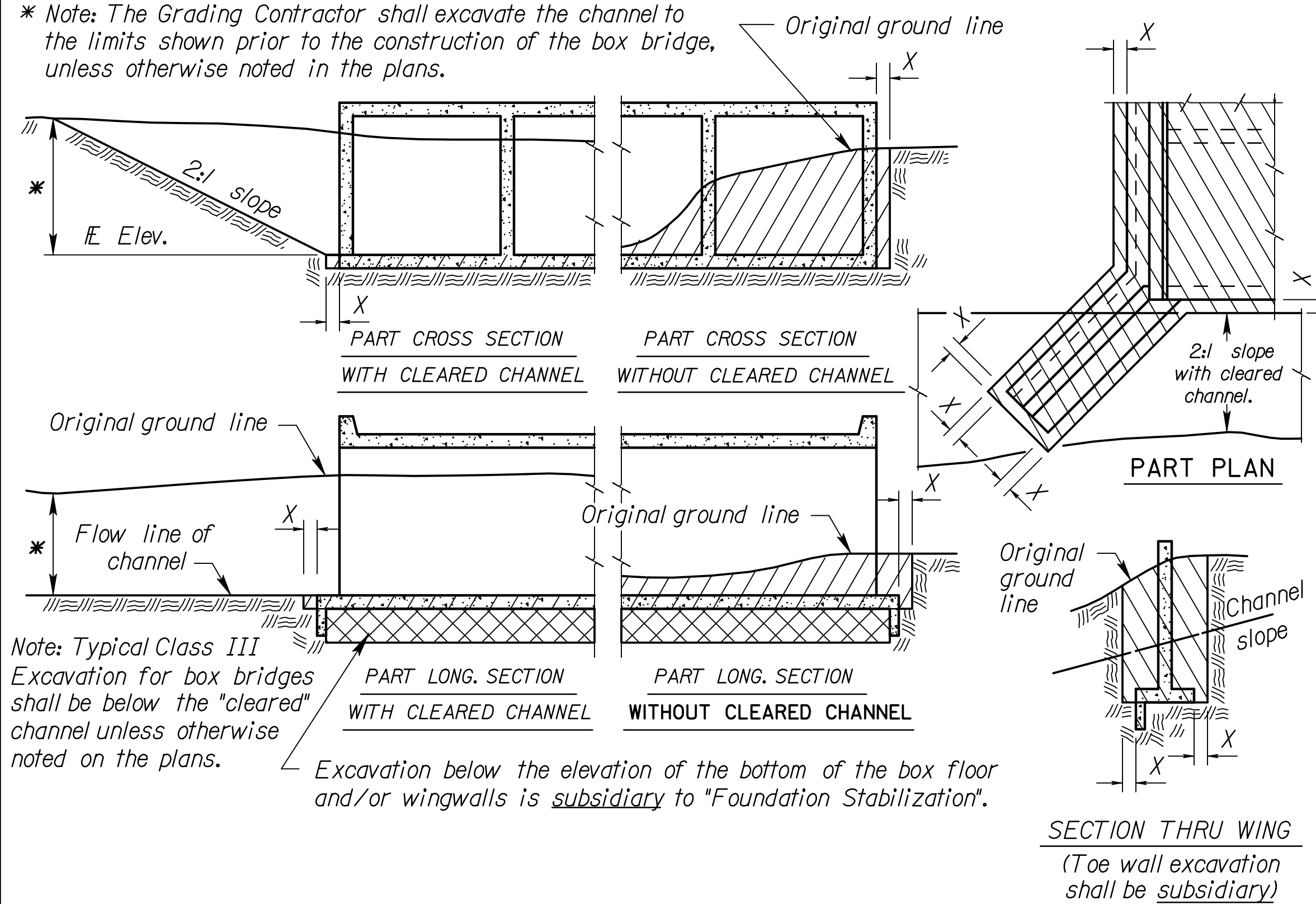


STATE	PROJECT NO.	YEAR	SHEET NO.	TOTAL SHEETS
KANSAS	472-84636	2008	112	282

\* Note: The Grading Contractor shall excavate the channel to the limits shown prior to the construction of the box bridge, unless otherwise noted in the plans.



Note: All bridge excavation shall be computed on the basis of the cross-hatch areas and boundary lines indicated on this sheet and the Excavation Boundary Plane on the Construction Layout.

Sides of trenches in hard or compacted soil including embankments shall be shored, sheeted, braced or otherwise supported when the trench is more than 5 feet in depth and 8 feet or more in length. In lieu of the shoring, the sides of the trench above the 5 foot level may be sloped to preclude collapse. The slope for average soils shall be 1:1. If the angle of repose of the soil is less, flatter slopes shall be required.

Dimension "X" shall be 2'-0" unless indicated otherwise on the general plans.  
Dimension "Y" shall be 1'-6" unless indicated otherwise on the general plans.

Note: Excavation below top of rock, hard shale or below top of footing, whichever is lower, shall be to neat lines of the concrete construction.

NO.	DATE	REVISIONS	BY	APP'D
8	10-16-06	Revised 'Foundation Stab.' Note	JPJ	KFH
7	10-19-04	Concrete - Class to Grade	RAM	KFH
6	4-10-02	Added 'Foundation Stab.' Note	RAM	KFH
5	8-12-95	Correct Section BB at abutment	LRR	KFH
4	1-30-95	Drilled Shaft Excavation	LRR	KFH
3	7-26-94	Change limits at abutment	LRR	KFH
2	1-26-93	Add Class 2 & Flared Wing det.	LRR	KFH
1	4-6-90	Change limits at abutments	LRR	KFH

KANSAS DEPARTMENT OF TRANSPORTATION

BRIDGE EXCAVATION

DESIGNED	DETAILED	APP'D	KENNETH F. HURST
DESIGN CK.	DETAIL CK.	LRR QUAN. CK.	CADD CK.

Std. Base File: br100.dgn  
 Plotted By: unfiled  
 File: A:\2001\016\RCB\01616-BR100.dgn  
 Plot Location: %CDOTGRP%  
 Plot Date: 8/29/2008