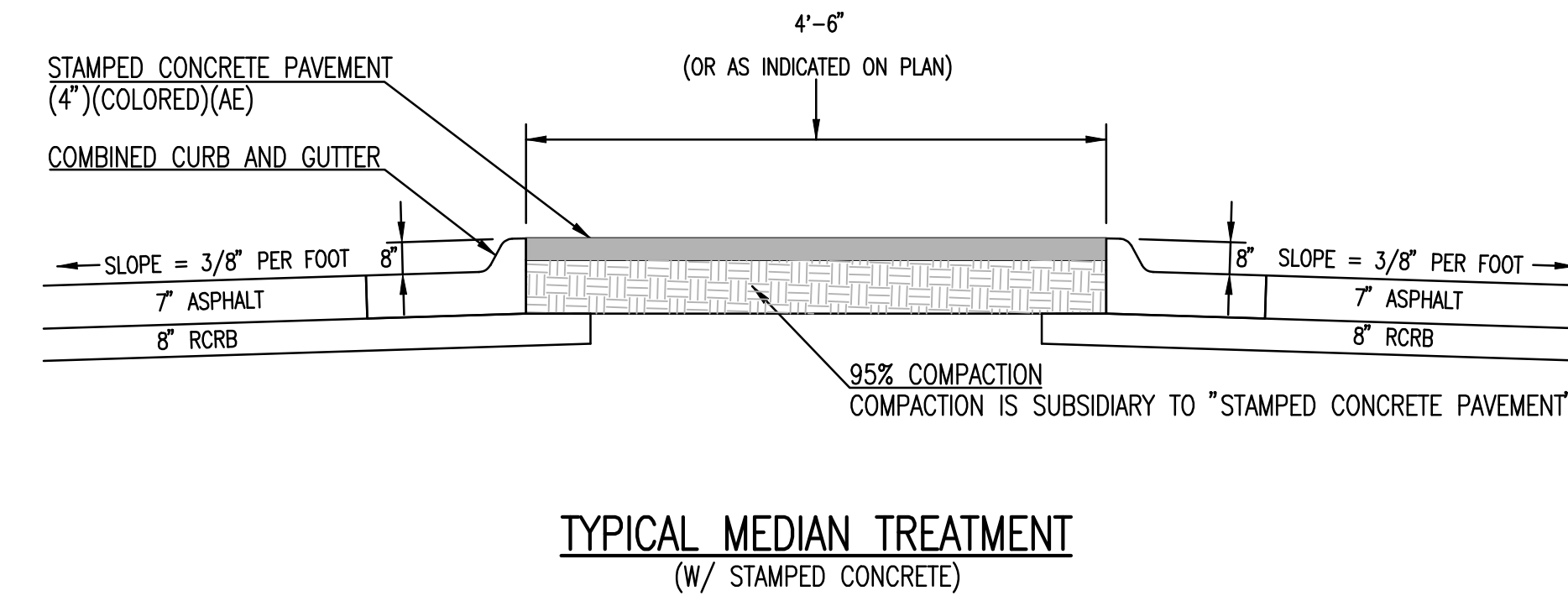
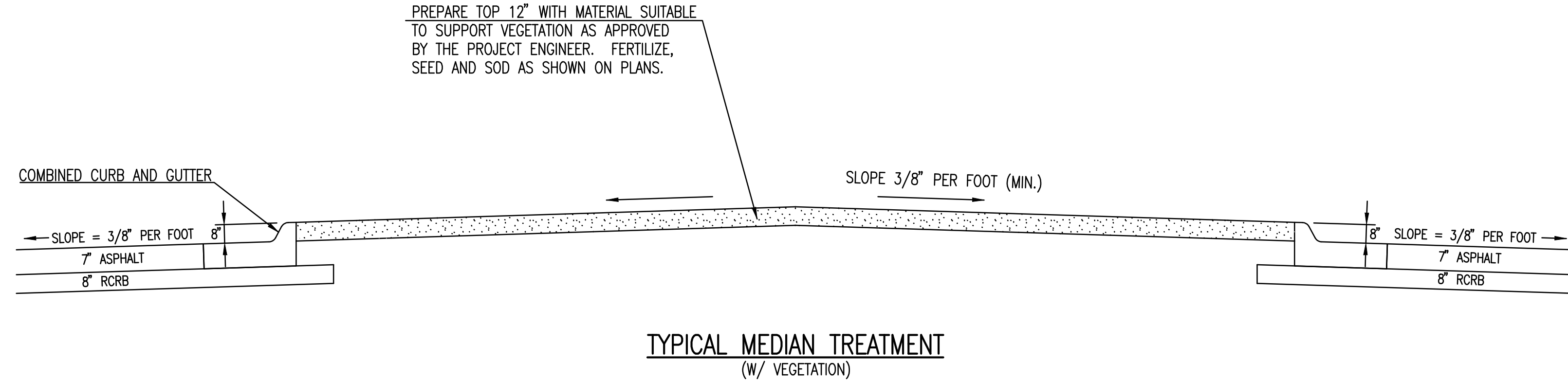


GENERAL NOTES:

- CONTRACTOR SHALL PROVIDE A MINIMUM FORTY-EIGHT (48) HOURS ADVANCE NOTICE (EXCLUDING WEEKENDS AND HOLIDAYS) PRIOR TO BEGINNING ANY EXCAVATION, TO KANSAS ONE-CALL SYSTEM, A UTILITY LOCATION SERVICE, AT (316) 687-2470 TO REQUEST THE FOLLOWING UTILITY COMPANIES TO LOCATE ALL EXISTING LINES WITHIN THE PROJECT AREA: K.G.S. GAS, AQUILA, WESTAR, SBC, COX COMMUNICATIONS, CITY OF WICHITA SEWER MAINTENANCE AND CITY OF WICHITA WATER DEPARTMENT.
- CONTRACTOR SHALL SATISFY HIMSELF OF SURFACE AND SUBSURFACE CONDITIONS PRIOR TO BIDDING.
- THE CONTRACTOR SHALL BE RESPONSIBLE FOR PRESERVING PROPERTY IRONS. THE CONTRACTOR WILL BE REQUIRED TO RE-ESTABLISH ANY PROPERTY IRONS WHICH ARE DAMAGED OR DESTROYED BY HIS CONSTRUCTION OPERATIONS. SUCH IRONS SHALL BE RE-ESTABLISHED BY A LICENSED LAND SURVEYOR IN ACCORDANCE WITH STATE LAWS.
- THE CONTRACTOR WILL BE REQUIRED TO WORK AROUND IMPROVEMENTS CONSTRUCTED UNDER OTHER PROJECTS AND SHALL BE RESPONSIBLE FOR REPAIR OF DAMAGE TO IMPROVEMENTS IN PLACE. COSTS FOR COORDINATION AND REPAIRS TO IMPROVEMENTS IN PLACE, IF REQUIRED, SHALL BE BORNE BY THE CONTRACTOR.
- ALL PLANT MATERIAL SHALL BE HIGH-QUALITY NURSERY GROWN STOCK WHICH MEETS THE "AMERICAN ASSOCIATION OF NURSERYMEN" STANDARDS AS SPECIFIED BY THE "AMERICAN NATIONAL STANDARDS INSTITUTE" IN ANSI Z60.1-1986 OR AS MAY BE AMENDED IN THE FUTURE.
- ALL PLANT MATERIAL AND TURF SHALL BE INSTALLED IN ACCORDANCE WITH THE CITY OF WICHITA SPECIFICATIONS.
- ALL TREES SHALL HAVE A MINIMUM BRANCHING HEIGHT OF 4 FEET.

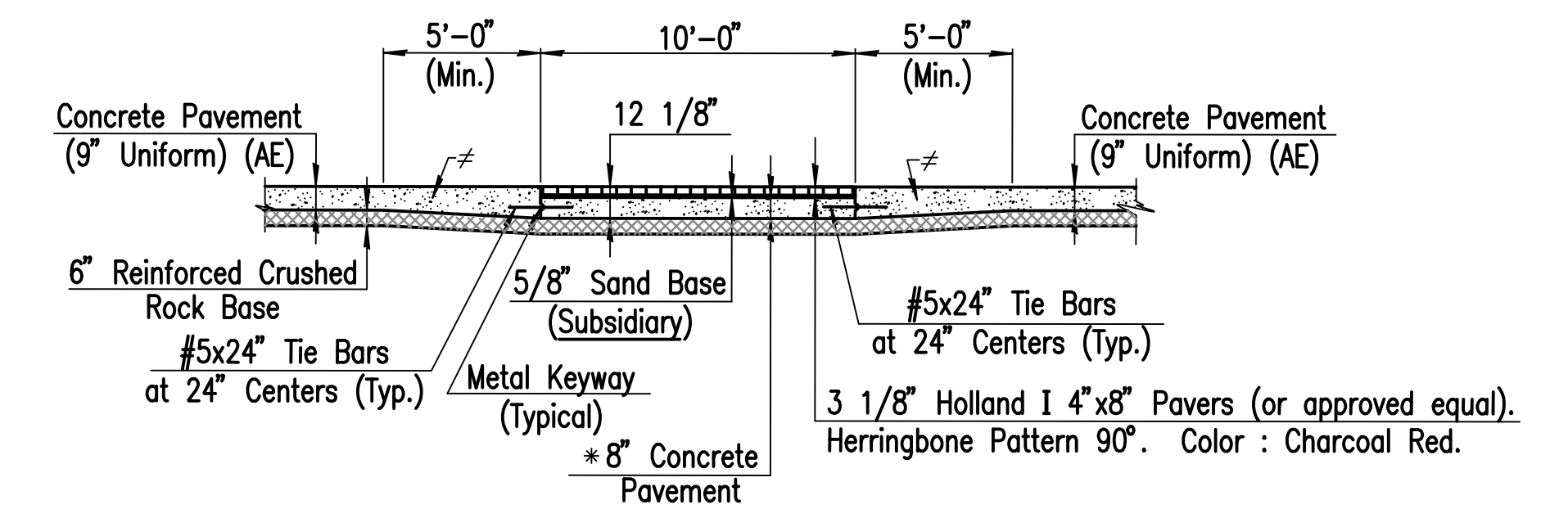
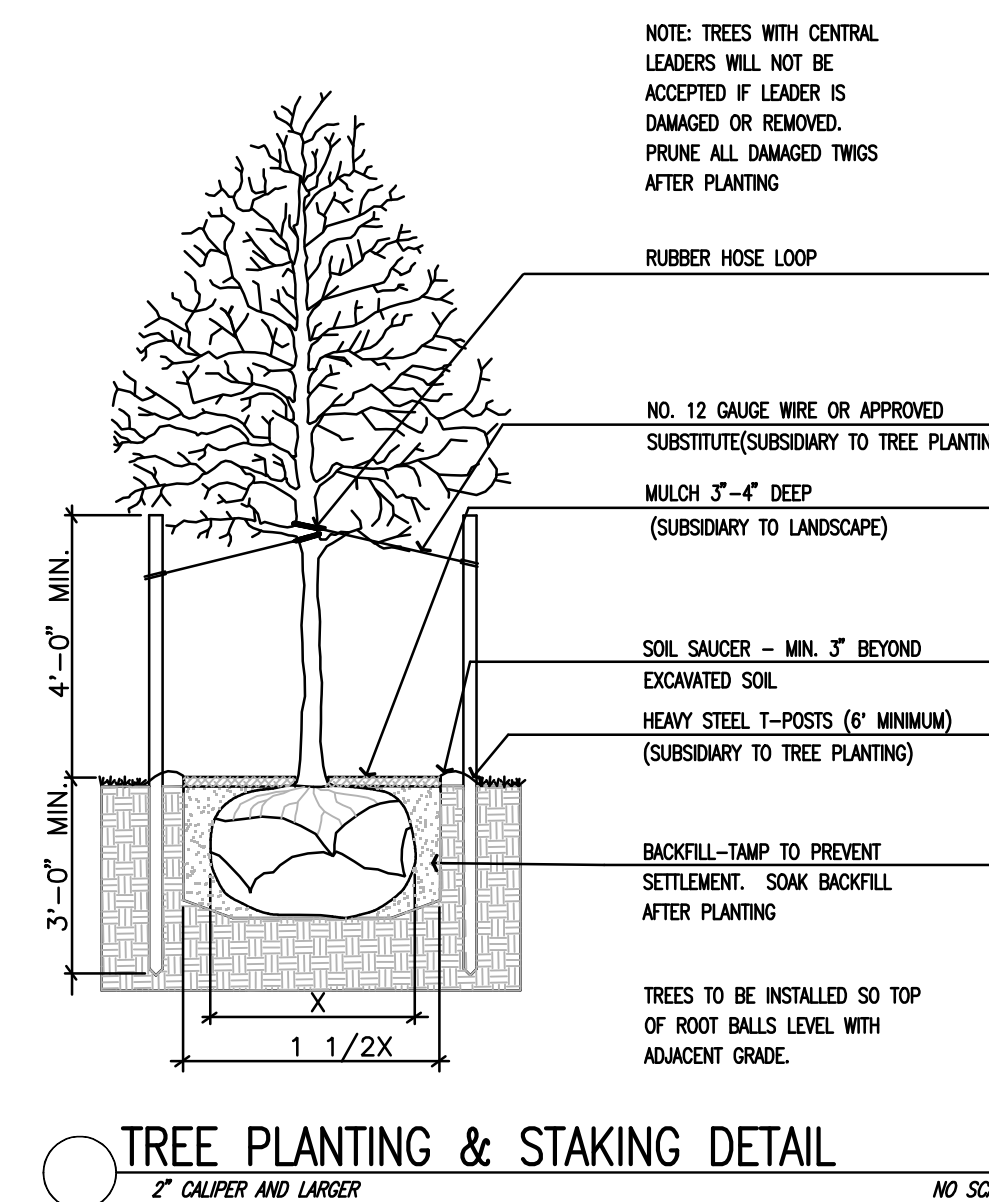


PLANT MATERIALS LIST					
KEY	QUANTITY	COMMON NAME	BOTANICAL NAME	SIZE	CONDITION
DECIDUOUS TREES					
BO	10	Bur Oak	Quercus Macrocarpa	2.5-3' Cal.	B & B
LE	13	Locebark Elm 'Allee'	Ulmus Parvifolia 'Allee'	2.5-3' Cal.	B & B
PC	37	Prairiefire Crabapple	Malus 'Prairiefire'	2-2.5' Cal.	B & B
CP	12	Chinese Pistache	Pistacia Chinensis	2.5-3' Cal.	B & B
SO	8	Sawtooth Oak	Quercus Acutissima	2.5-3' Cal.	B & B
SSC	32	Spring Snow Crabapple	Malus 'Spring Snow'	2-2.5' Cal.	B & B
ORB	71	Oklahoma Redbud *	Cercis Reniformis	2-2.5' Cal.	B & B
SM	16	Shantung Maple	Acer Truncatum	2-2.5' Cal.	B & B
WH	74	Washington Hawthorn *	Crataegus Crusgalli	2-2.5' Cal.	B & B
SLH	8	Skyline Honeylocust	Gleditsia Triacanthos Var. Inermis 'Skyline'	2.5-3' Cal.	B & B
CHP	22	Chanticleer Pear	Pyrus Calleryana 'Chanticleer'	2.5-3' Cal.	B & B
GT	18	Goldenrain Tree	Kouleruteria Paniculata	2.5-3' Cal.	B & B

* SINGLE TRUNK ONLY

ADDITIONAL LANDSCAPE QUANTITIES		
ITEM	QUANTITY	NOTES
STAMPED CONCRETE PAVEMENT (4\"/>		

- SEED SHALL BE A MIX OF RYEGRASS APPLIED AT A RATE OF 50 LBS. PER ACRE AND BUFFALO GRASS APPLIED AT A RATE OF 200 LBS PER ACRE. EROSION CONTROL MAT SHALL BE CURLEX I EXCELSIOR BLANKET, OR APPROVED EQUAL.
- QUANTITY SHOWN FOR INFORMATION ONLY. THE CONTRACTOR WILL BE REQUIRED TO SEED AND MAT ALL NON-PAVED AREAS DISTURBED BY CONSTRUCTION THAT ARE NOT SHOWN TO BE SODDED.



* 8" Concrete Pavement to be paid as "Concrete Pavement (9" Uniform)(AE)."

≠ Additional Pavement Thickness shall be Subsidiary to "Concrete Pavement (9" Uniform)(AE)."

DSNR: RMH OPER: SVB SCALE: 1=20.00
 I:\2001\01616\landscape\01616-landscape-dtl.dgn 5-21-2008 svb

No.	Revision	By	Date
21st St.			
LANDSCAPE DETAILS			
LANDSCAPE NOTES AND DETAILS			
JAMES L. ARMOUR, P.E. - CITY ENGINEER CITY OF WICHITA PROJECT NO. 472-84636			
Professional Engineering Consultants, P.A.			
303 S. TOPEKA • WICHITA, KANSAS 67202 316-262-2691 • FAX 316-262-3003			
Designed by	RMH	Job No.	01616
Drawn by	SVB	Date	August, 2008
			Sht. 124 of 282