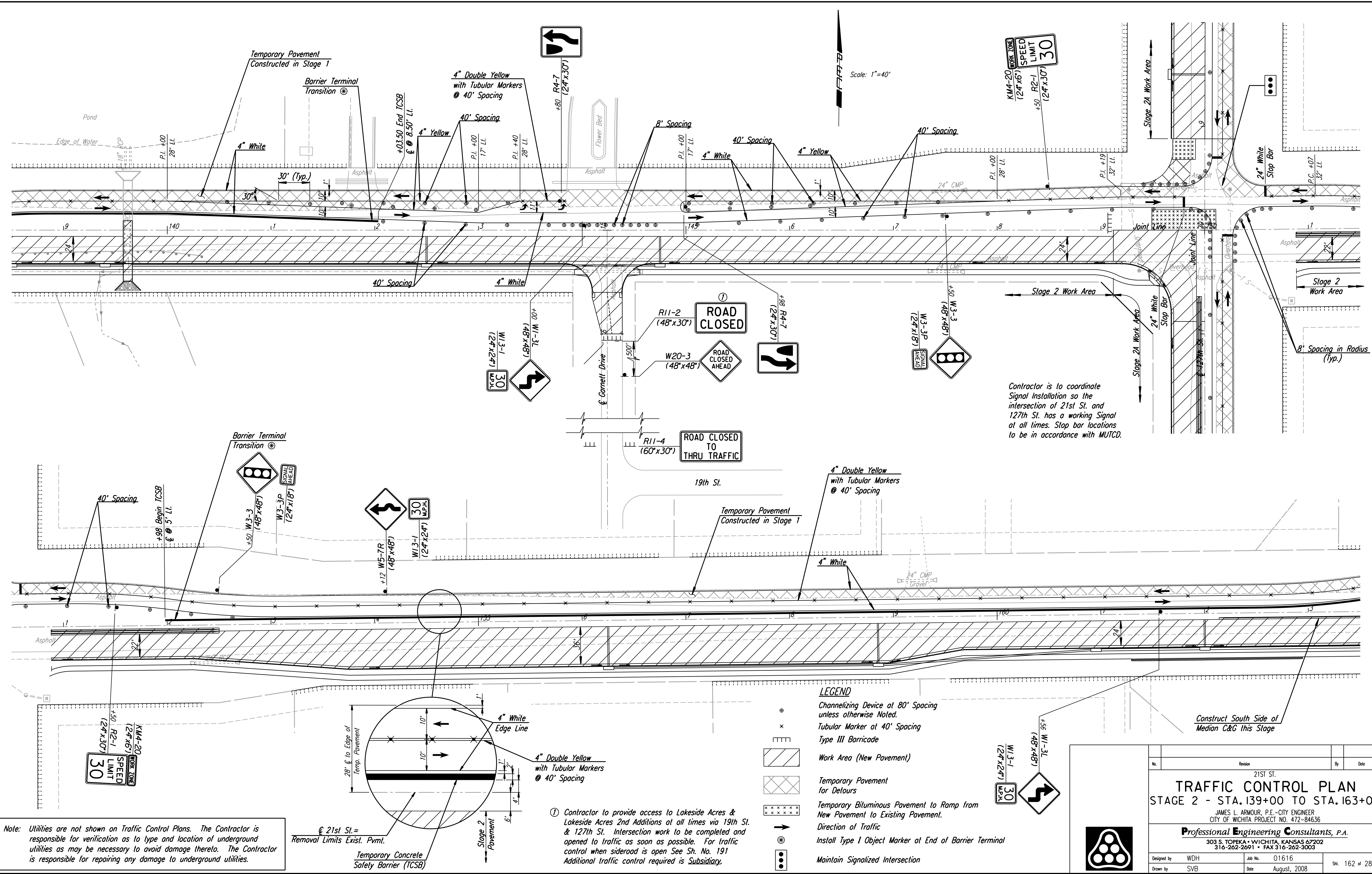
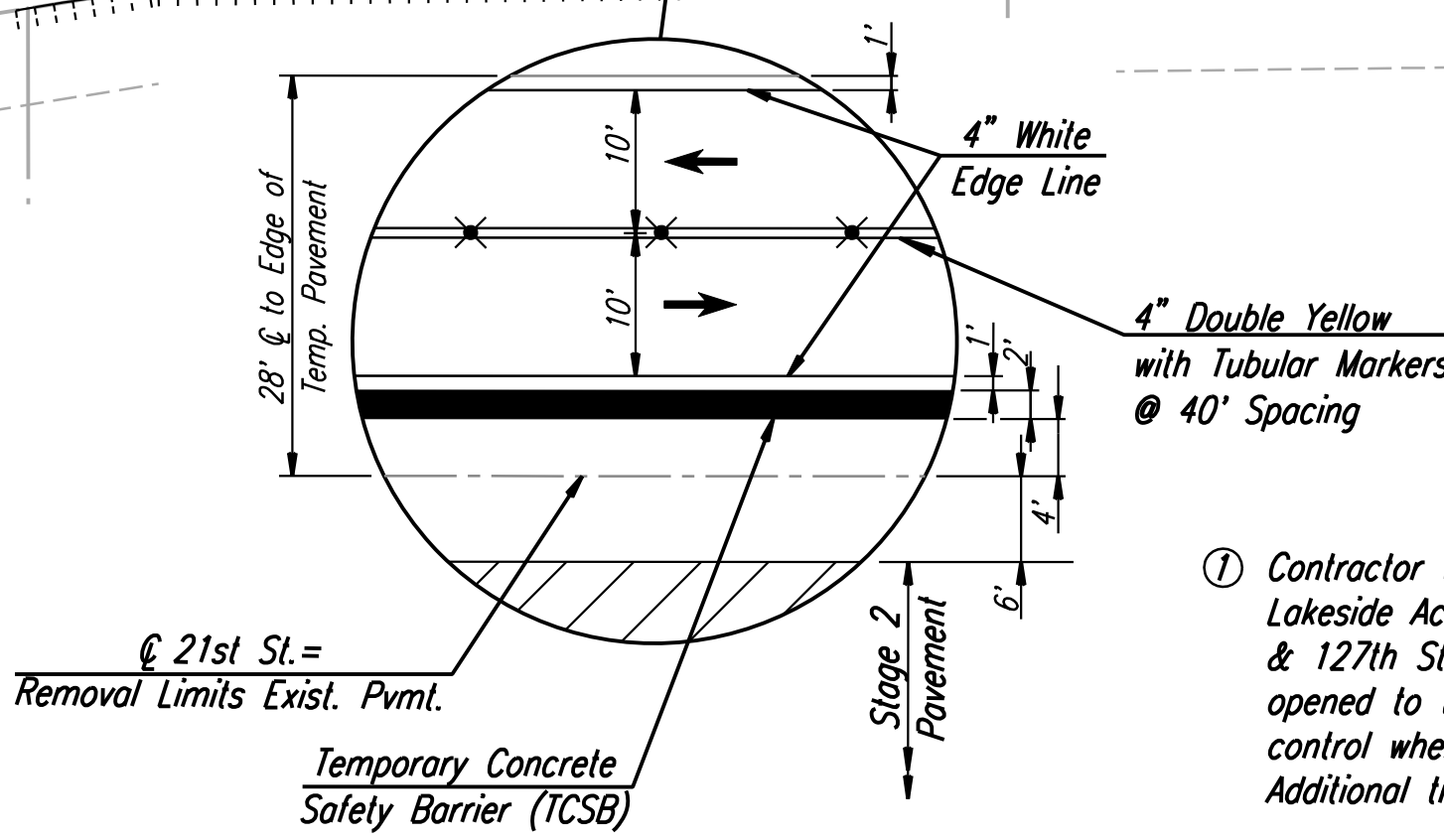


DSNR: WDH OPER: SVB SCALE: 1"=40' DATE: 8-21-2007 14:36:46 LAST REV: 5-23-2008 BY: svb  
 I:\2001\01616\Traffic Control\01616-T.C. Stage 2 139.DGN



Note: Utilities are not shown on Traffic Control Plans. The Contractor is responsible for verification as to type and location of underground utilities as may be necessary to avoid damage thereto. The Contractor is responsible for repairing any damage to underground utilities.



① Contractor to provide access to Lakeside Acres & Lakeside Acres 2nd Additions at all times via 19th St. & 127th St. Intersection work to be completed and opened to traffic as soon as possible. For traffic control when sideroad is open See Sh. No. 191 Additional traffic control required is Subsidiary.

- LEGEND**
- ⊙ Channelizing Device at 80' Spacing unless otherwise Noted.
  - x Tubular Marker at 40' Spacing
  - ▨ Type III Barricade
  - ▨ Work Area (New Pavement)
  - ▨ Temporary Pavement for Detours
  - xxxxx Temporary Bituminous Pavement to Ramp from New Pavement to Existing Pavement.
  - Direction of Traffic
  - ⊕ Install Type I Object Marker at End of Barrier Terminal
  - ⊙ Maintain Signalized Intersection

Contractor is to coordinate Signal Installation so the intersection of 21st St. and 127th St. has a working Signal at all times. Stop bar locations to be in accordance with MUTCD.

21ST ST.		By	Date
<b>TRAFFIC CONTROL PLAN</b>			
STAGE 2 - STA. 139+00 TO STA. 163+00			
JAMES L. ARMOUR, P.E. - CITY ENGINEER CITY OF WICHITA PROJECT NO. 472-84636			
<b>Professional Engineering Consultants, P.A.</b> 303 S. TOPEKA • WICHITA, KANSAS 67202 316-262-2691 • FAX 316-262-3003			
Designed by	WDH	Job No.	01616
Drawn by	SVB	Date	August, 2008
			Sht. 162 of 282