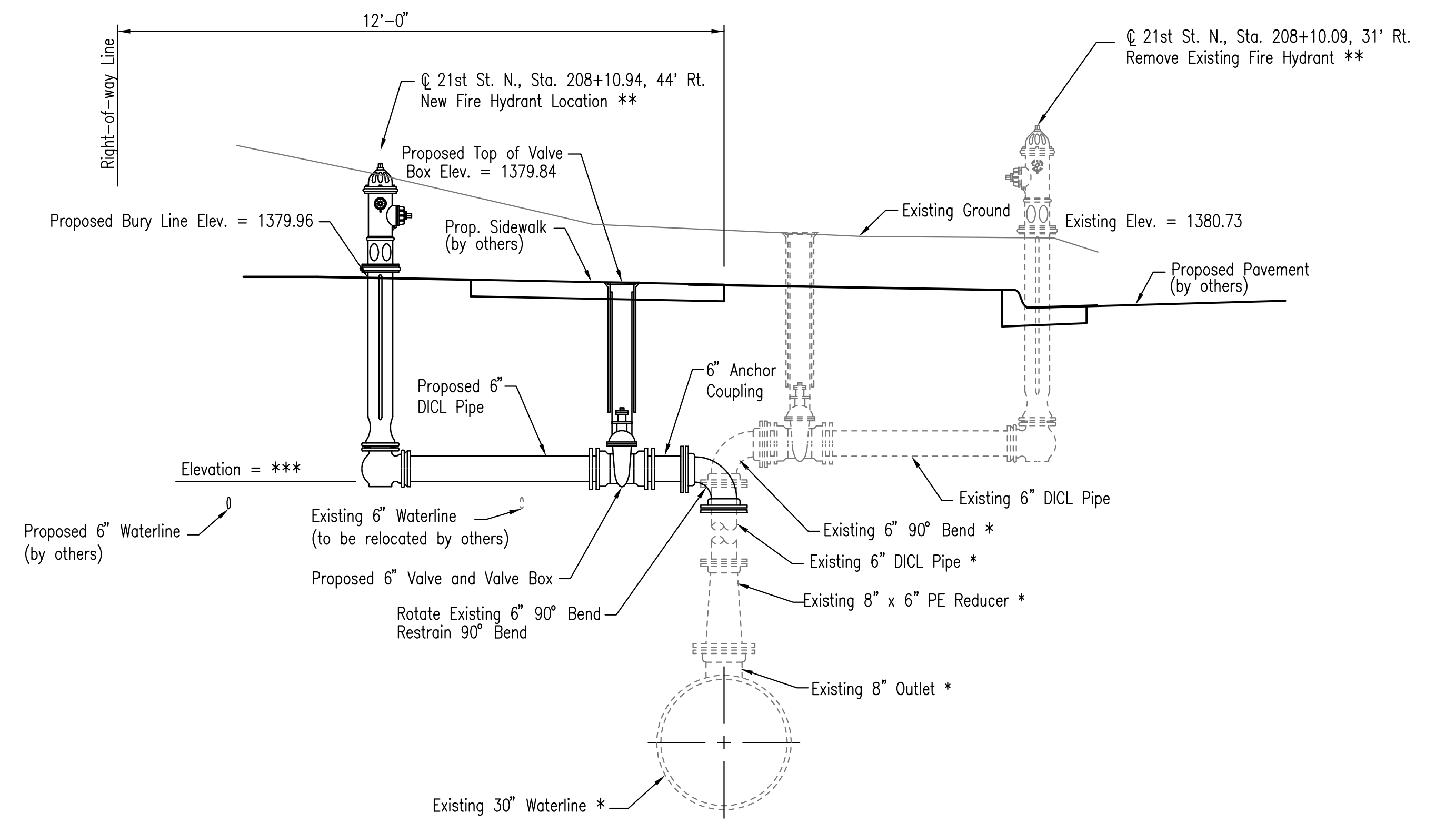
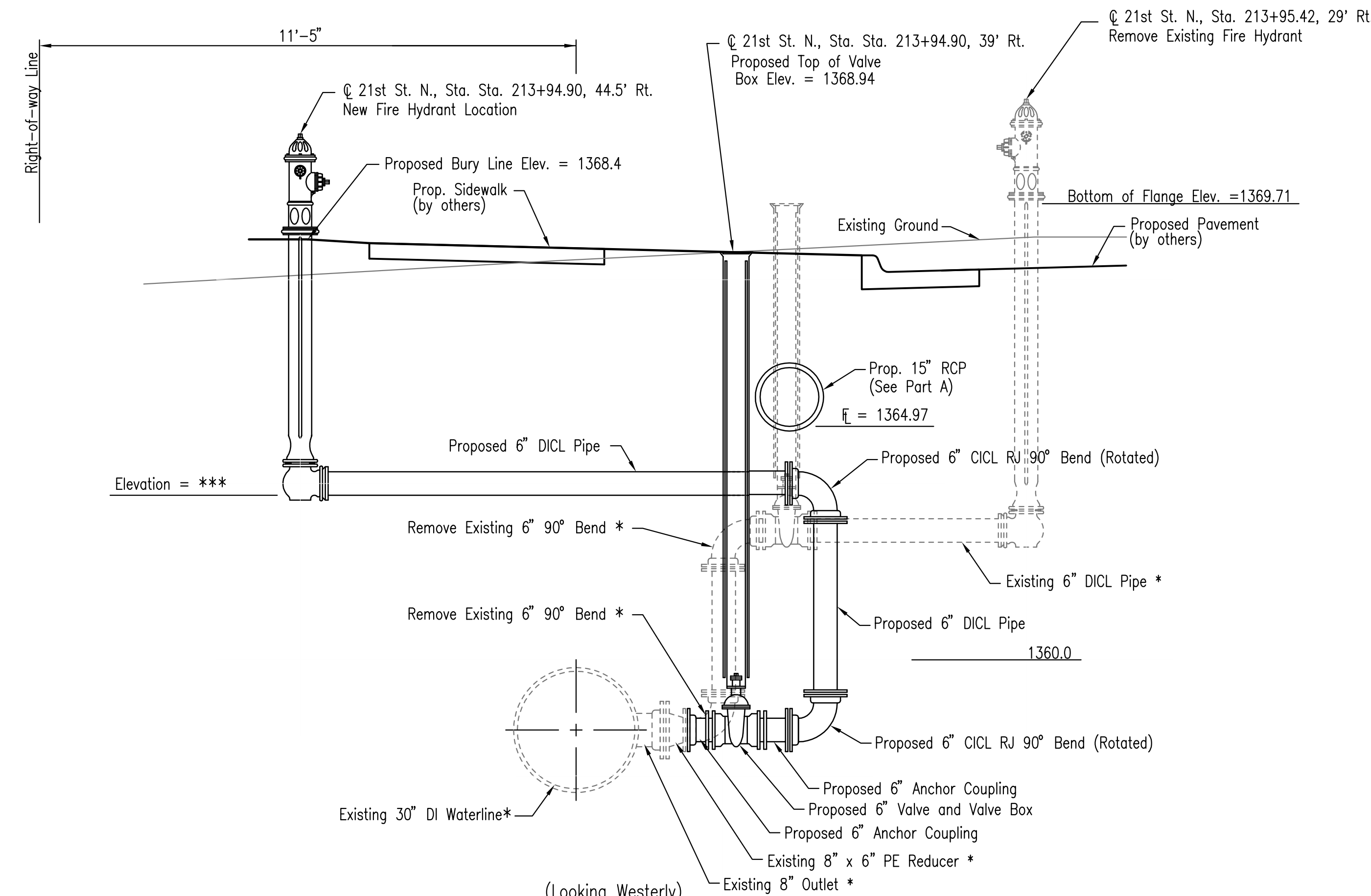


(Looking Northerly)
SCALE: 1" = 1/2'
FH RELOCATION NO. 1
(Plan View, sheet no. B5)



(Looking Westerly)
SCALE: 1" = 1/2'
FH RELOCATION NO. 2
(Plan View, sheet no. B18)



(Looking Westerly)
SCALE: 1" = 1/2'
FH RELOCATION NO. 3
(Plan View, sheet no. B18)

- * EXISTING PIPE DRAWN PER ASBUILT INFORMATION. PRIOR TO BEGINNING CONSTRUCTION, THE CONTRACTOR SHALL EXCAVATE THE EXISTING WATERLINES TO VERIFY PIPE SIZE, TYPE, FITTINGS, AND HORIZONTAL AND VERTICAL LOCATION. THE CONTRACTOR SHALL REPORT HIS FINDINGS TO THE ENGINEER SO THAT ANY NECESSARY PLAN MODIFICATIONS CAN BE MADE. ANY ADDITIONAL LABOR OR MATERIALS NECESSARY TO COMPLETE THE CONNECTION SHALL BE CONSIDERED SUBSIDIARY TO THE PROJECT.
- THE CONTRACTOR SHALL ADJUST ALL VALVE BOXES DEPENDANT ON THE MATERIAL COMPOSITION OF THE VALVE BOX. THE 2" SQUARE OPERATING NUT SHALL BE A MAXIMUM OF 5" FROM THE GROUND SURFACE.
- IF THE REQUIRED HYDRANT BURY IS IN EXCESS OF 5', BUT LESS THAN 7', CONTRACTOR SHALL USE STANDARD 5' HYDRANT BURY AND HYDRANT BARREL EXTENSIONS AS NECESSARY. IF THE REQUIRED HYDRANT BURY IS GREATER THAN 7', CONTRACTOR SHALL USE 5' HYDRANT BURY, 2-MJ 90° BENDS, 6" ANCHOR COUPLING AND 6" DICL SPOOL PIPE AS NECESSARY FOR VERTICAL ADJUSTMENT. THE CONTRACTOR SHALL PROVIDE ADEQUATE THRUST BLOCKING AT HYDRANT AND MEGALUGS, ROD AND LUG OR SIMILAR RESTRAINT BETWEEN 90° BENDS TO SECURE ALL FITTINGS DURING TESTING AND OPERATION. THE CONTRACTOR SHALL PROVIDE A VALVE STEM EXTENSION PER DETAIL THIS SHEET.
- ** CONTRACTOR SHALL RELOCATE EXISTING FIRE HYDRANT TO NEW LOCATION. PIPE LENGTHS SHALL BE ADJUSTED AS REQUIRED TO ACHIEVE PROPOSED BURY LINE ELEVATION.
- *** CONTRACTOR SHALL VERIFY FIRE HYDRANT BURY DEPTH AND EXISTING EXTENSIONS. CONTRACTOR SHALL RELOCATE FIRE HYDRANT WITH BURY DEPTH AS REQUIRED AND PROVIDE ADEQUATE LENGTH OF DICL PIPE TO COMPLETE RELOCATION.

Saved: 08-14-2008 8:57:18 AM by CSL
 Plot Scale: 1:2 09-02-2008 2:59:50 PM
 C:\2007\01616\002\01616-002-C-FH_RelocDetail01

No.	Revision	By	Date
21ST STREET N. - FROM K-96 TO 159TH STREET E. WATERLINE ADJUSTMENTS FH RELOCATION DETAILS JAMES L. ARMOUR, P.E. - CITY ENGINEER CITY OF WICHITA PROJECT NO. 448-90380 Professional Engineering Consultants, P.A. 303 S. TOPEKA • WICHITA, KANSAS 67202 316-262-2691 • FAX 316-262-3003			
Designed by	MDK	Job No.	35-01616-002
Drawn by	CSL, JAN	Date	JANUARY 2003
			Sht. B38 of 40