

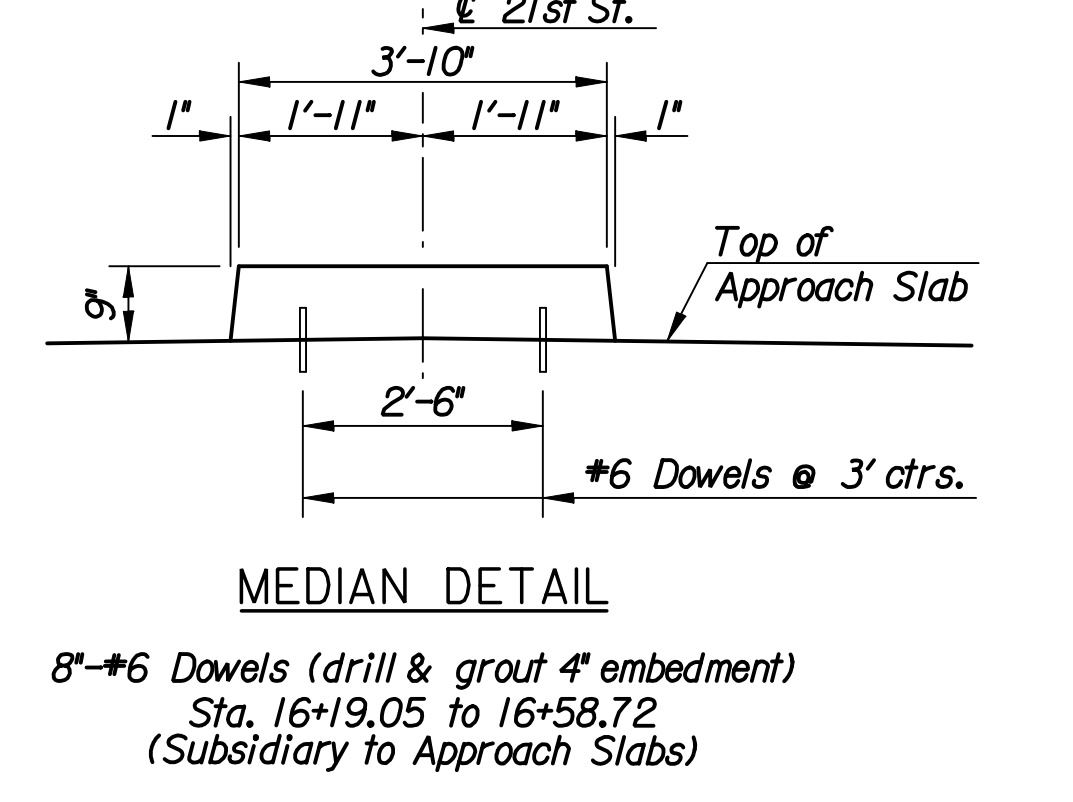
TABLE OF COORDINATES

LOCATION	NORTH COORDINATE	EAST COORDINATE
A	9986.5461	10207.3949
B	9999.5461	10204.3936
C	10012.5461	10201.3923
D	10026.4646	10184.8371
E	10012.5461	10188.0504
F	9999.5461	10191.0517
G	9986.5461	10194.0530
H	9973.0839	10197.1609
I	9973.0779	10196.9913
J	9986.5461	10193.8819
K	9999.5461	10190.8806
L	10012.5461	10187.8793
M	10026.4760	10184.6708
N	10027.1599	10174.6942
O	10012.5461	10177.9978
P	9999.5461	10180.9366
Q	9986.5461	10183.8754
R	9972.7207	10187.0008
S	9971.9241	10164.7176
T	9986.5461	10164.7176
U	9999.5461	10164.7176
V	10012.5461	10164.7176
W	10027.8439	10164.7176

BENDING DIAGRAMS

Note: All dimensions are out to out of bars, unless otherwise noted.

BAR	NO.	SIZE	LENGTH
#5 a			13'-0"
#6 c			13'-0"
#6 h			Varies from 15'-1" to 16'-0" by 7/16"
#6 i			Varies from 15'-0" to 15'-6" by 3/16"
#6 f			12'-9"
#5 b			12'-6"
#5 g			Varies from 14'-7" to 15'-0" by 7/16"
#5 d			Varies from 14'-6 3/8" to 15'-0" by 3/16"



BAR LIST (ONE END)

BAR	NO.	SIZE	LENGTH
a	112	#5	13'-0"
b	54	#5	14'-6"
c	54	#6	13'-0"
d	27	#5	Varies
e	21	#6	3'-0"
el	68	#5	3'-0"
f	112	#6	13'-9 1/2"
g	27	#5	Varies
h	27	#6	Varies
i	27	#6	Varies

TABLE OF COORDINATES

LOCATION	NORTH COORDINATE	EAST COORDINATE
AA	10030.8369	10164.9228
BB	10031.0644	10159.9338
CC	10031.2258	10158.1724
DD	10036.6810	10159.0695
EE	10034.5721	10186.6421
FF	10034.5721	10196.3072
GG	10028.5906	10197.6882
HH	9969.3653	10177.1143
II	9963.9222	10159.7176
JJ	9957.5895	10160.6490
KK	9960.5721	10204.1881
LL	9960.5721	10213.3915
MM	9970.5721	10211.0828

BILL OF MATERIALS (ONE END)

Item	Quantity	Unit
Reinforcing Steel (Grade 60)	8208	Lbs.
Concrete Pavement (10" Unif.)(AE)	245.5	S.Y.

Note: Quantities listed are for one approach slab only. The reinforcing steel weight is shown for information only and does not include the welded wire mesh.

Type C Expansion Joint only; (See "Expansion Joint Details", Std. No. RD712).

The thermal movement at the abutment is +/- 1/4 inch. W" = 2 inches; See table below for adjusted W" values. W" is the formed gap. The temperatures in the table below are the average ambient temperature over the last 24 hours.

Temp. (F°)	30°	40°	50°	60°	70°	80°	90°
W", (in.)	2 1/4"	2 1/8"	2 1/8"	2"	1 7/8"	1 7/8"	1 3/4"

GENERAL NOTES

Special Concrete Bridge Approach shall be paid for as Sq.Yds. of "Concrete Pavement (10" Unifom)(AE)" and includes all work and materials required to construct the approach slab shown on this sheet. All concrete shall be Concrete Grade (4.0)(AE).

Revisions		By	Date
CITY OF WICHITA			
BR. NO. 430400876500010		STA. 17+62.50	
SPECIAL CONCRETE WEST PAVEMENT APPROACH 21ST STREET OVER LAR			
PROJECT NO. 472-84748		SEDGWICK COUNTY	
Professional Engineering Consultants, P.A.			
303 S. TOPEKA • WICHITA, KANSAS 67202 316-262-2691 • FAX 316-262-3003			
Designed by	MSN	Checked by	RAS
Drawn by	DRP	Date	Feb. 2007
		Job No.	06009

drawn by: drp
 plotted by: msn 9-2-2008
 2006/06009/Final/09_02_2008/06009-000-WestAppSubdrgn