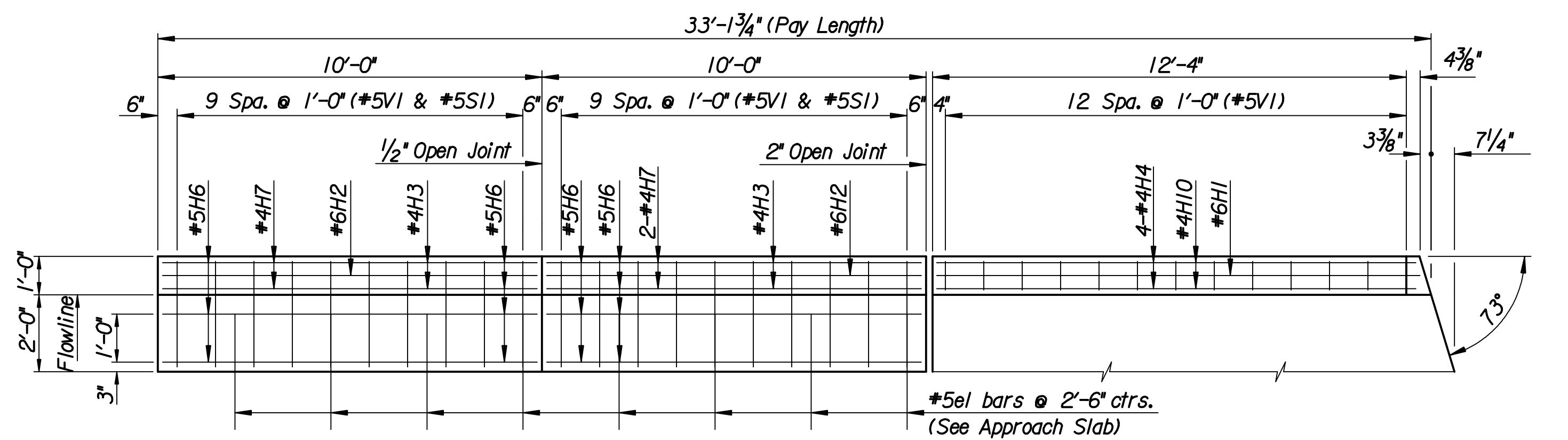
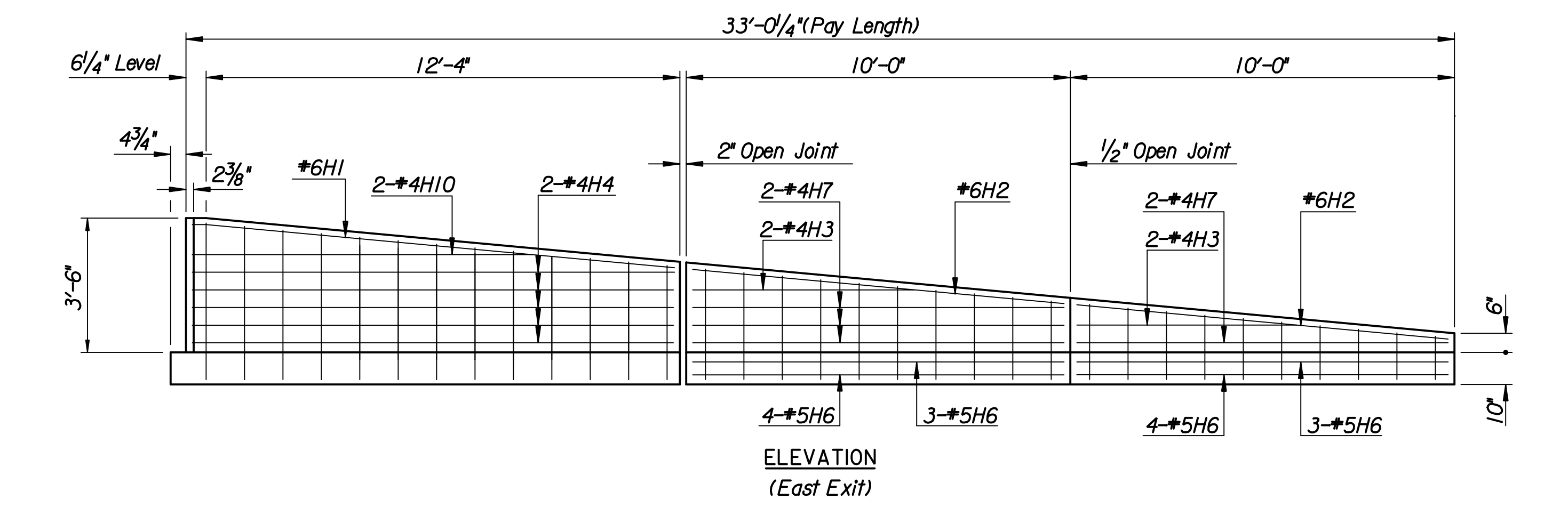


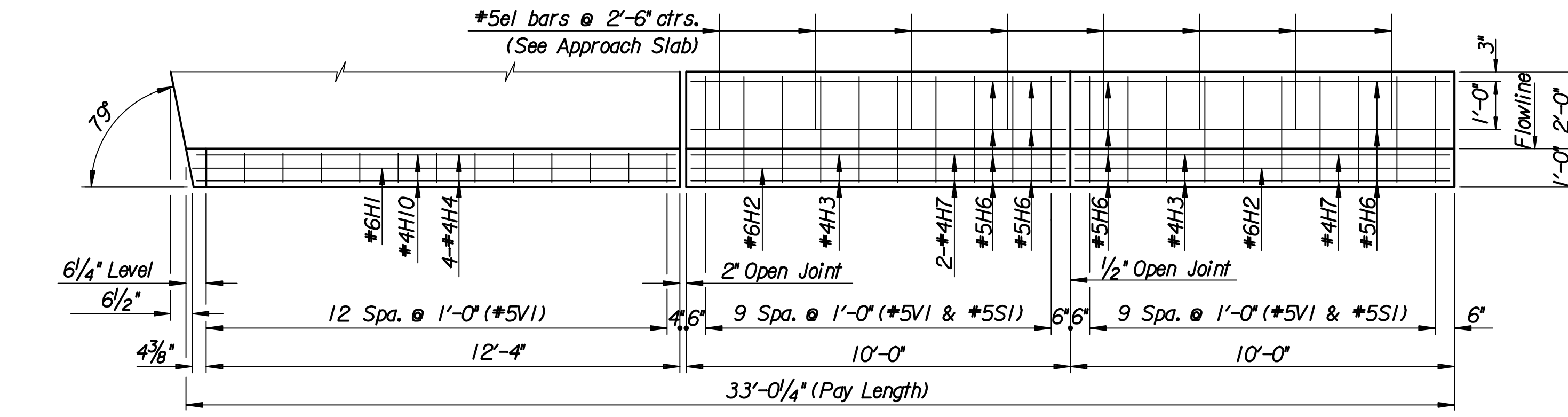
ELEVATION  
(West Exit)



PLAN  
(West Exit)



ELEVATION  
(East Exit)



PLAN  
(East Exit)

BILL OF MATERIALS (WEST EXIT) REINFORCING STEEL							
Mark	No.	Size	Length	Mark	No.	Size	Length
<i>Typical Exit End (One)</i>							
H1	1	6	12'-7"	H6	14	5	9'-8"
H2	2	6	9'-8"	H7	6	4	9'-8"
H3	2	4	5'-9"	H10	2	4	8'-11"
H4	8	4	12'-6"				
SI	40	5	2'-8"				
VI	33	5	Varies				

* SUMMARY OF QUANTITIES		
Item	Quantity	Unit
Concrete Grade (4.0)(AE)	4.31	C.Y.
Reinforcing Steel (Gr. 60)	673.59	Lbs.

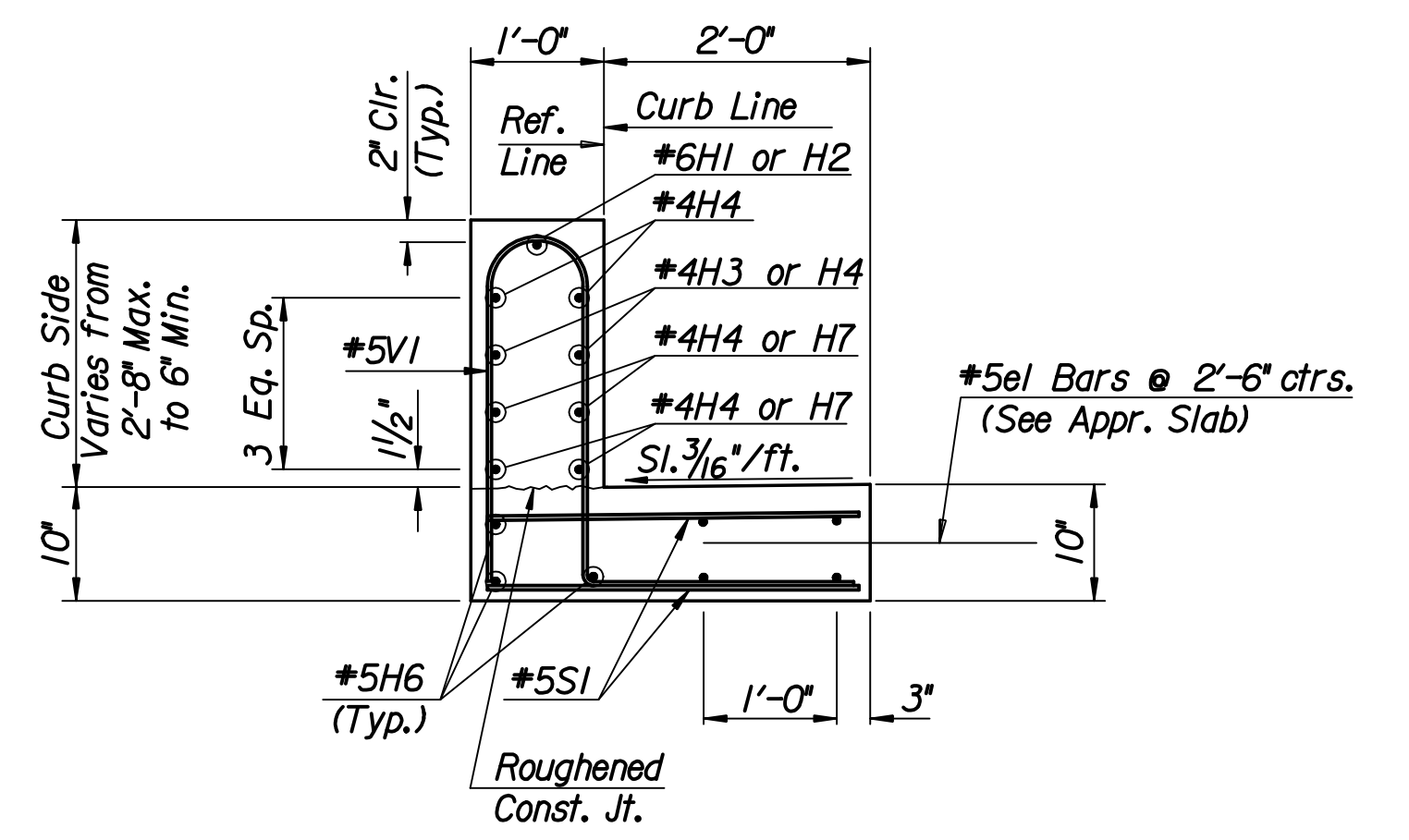
\* For Information Only

BILL OF MATERIALS (EAST EXIT) REINFORCING STEEL							
Mark	No.	Size	Length	Mark	No.	Size	Length
<i>Typical Exit End (One)</i>							
H1	1	6	12'-9"	H6	14	5	9'-8"
H2	2	6	9'-8"	H7	6	4	9'-8"
H3	2	4	5'-9"	H10	2	4	8'-10"
H4	8	4	12'-6"				
SI	40	5	2'-8"				
VI	33	5	Varies				

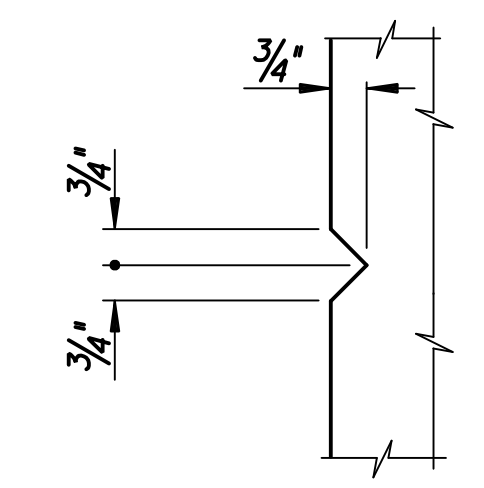
* SUMMARY OF QUANTITIES		
Item	Quantity	Unit
Concrete Grade (4.0)(AE)	4.30	C.Y.
Reinforcing Steel (Gr. 60)	673.72	Lbs.

\* For Information Only

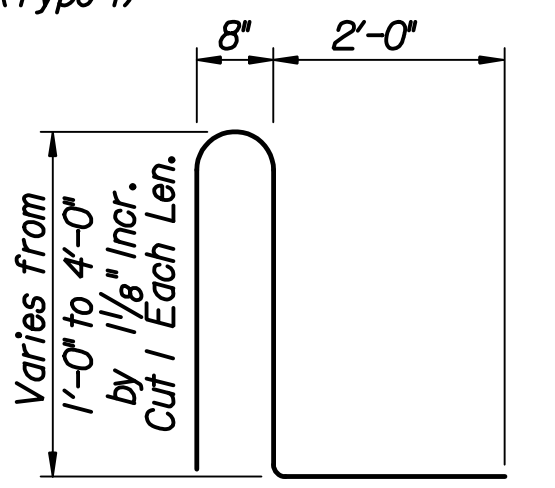


SECTION THRU SAFETY BARRIER  
(TRANSITION)

Adjust F.L. & crossslope in first 5' to meet Combined Curb & Gutter (Type I)

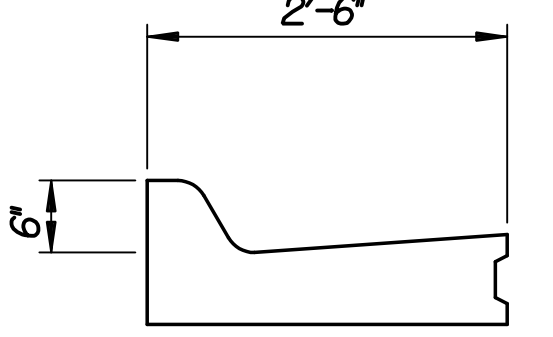


TYPICAL 3/4" TRIANGULAR  
GROOVE DETAIL

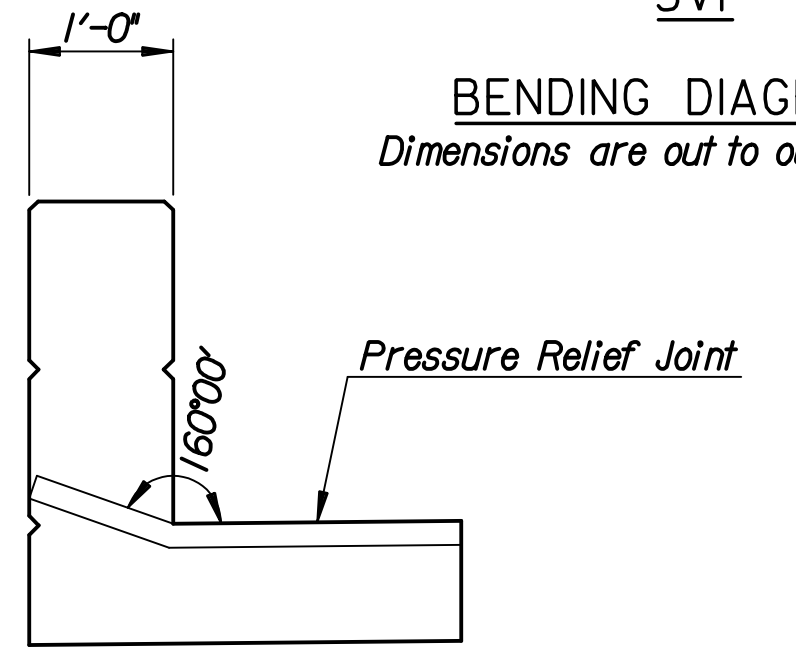


5VI

BENDING DIAGRAMS  
Dimensions are out to out of bars



Combined Curb & Gutter (Type I)



TYPICAL BARRIER JOINT TREATMENT

CONCRETE SAFETY BARRIER (SPECIAL) (AE) NOTES

The "Concrete Safety Barrier (Special)(AE)" shall be constructed of Concrete Grade (4.0)(AE) and A-615 Grade 60 reinforcing steel.

The 3'-6" sections of the barrier shall be grooved with a 3/4" chamfer strip on all exposed edges.

The bid item "Concrete Safety Barrier (Special) (AE)" measured per lineal foot as per plan, shall be full compensation for furnishing all materials, equipment and labor necessary.

No.	Revisions	By	Date
1			

CITY OF WICHITA  
BR. NO. 430400876500010 STA. 17+62.50  
CONCRETE SAFETY BARRIER  
(SPECIAL) (AE) (EXIT END)  
21ST STREET OVER LAR  
PROJECT NO. 472-84748 SEDGWICK COUNTY

Professional Engineering Consultants, P.A.  
303 S. TOPKA • WICHITA, KANSAS 67202  
316-262-2691 • FAX 316-262-3003

Designed by	R.A.S.	Checked by	R.A.S.
Drawn by	W.L.L.	Date	Feb. 2007
		Job No.	06009

drawn by: wll  
plotted by: msn 9-2-2008  
I: 2006/06009/Final/09\_02\_2008/06009-000 TransBarrier-Exit.dgn