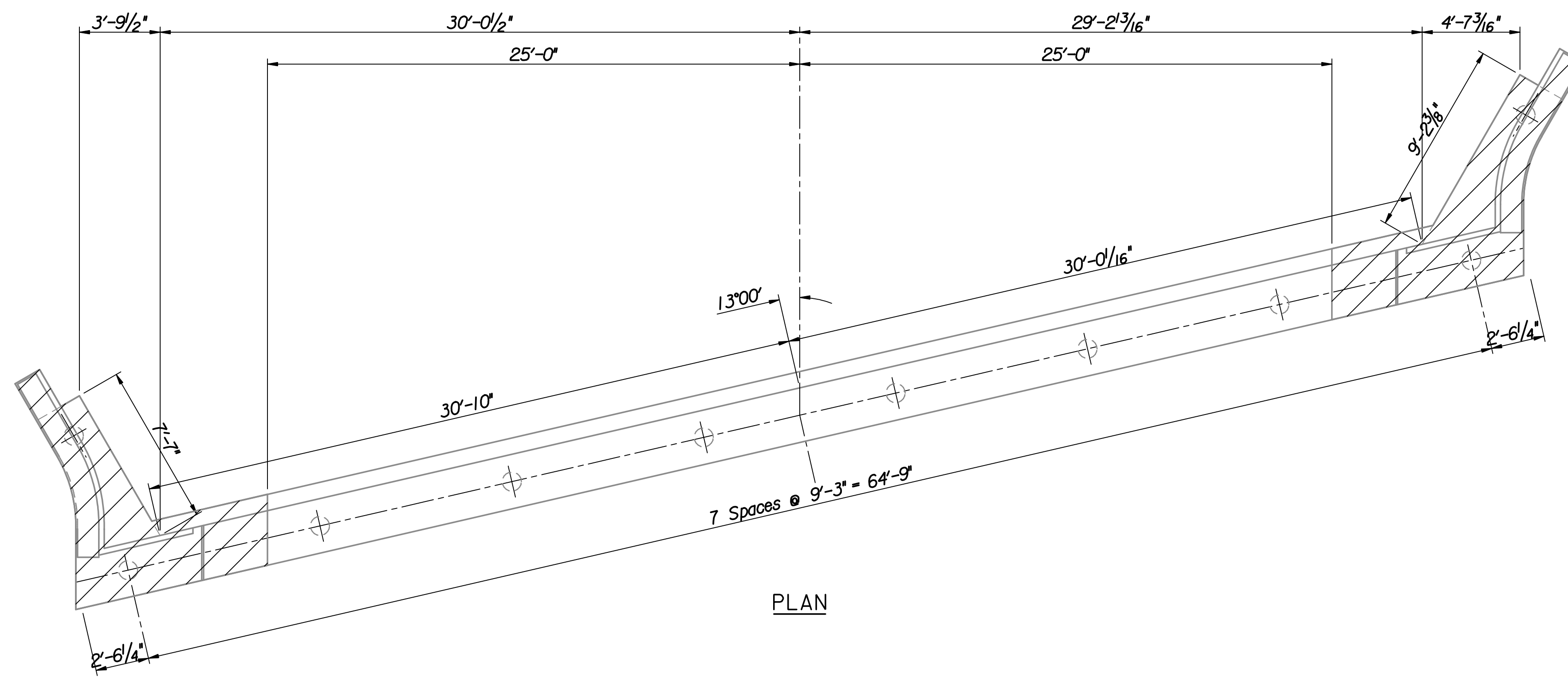
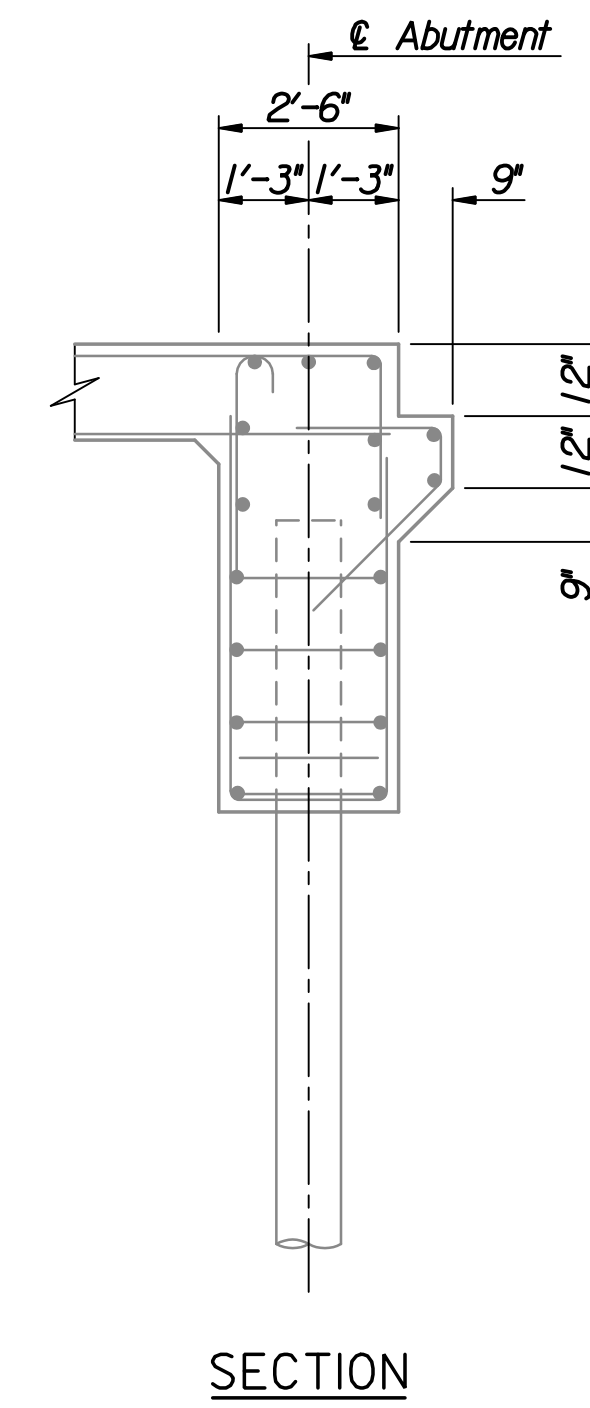
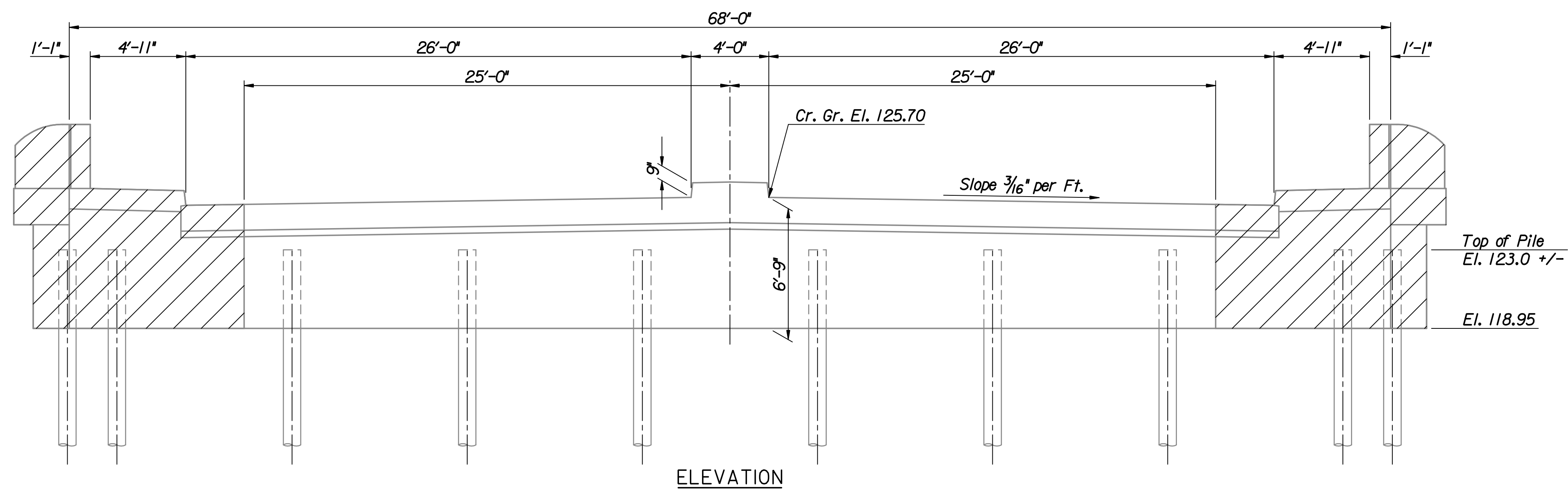


STATE	PROJECT NO.	YEAR	SHEET NO.	TOTAL SHEETS
KANSAS	472-84748	2008	14	52
KDOT PROJECT NO. 87 N-0429-01				



Existing longitudinal reinforcing steel shall remain in place unless it is sufficiently deteriorated. Any reinforcing steel cut or damaged by the Contractor during concrete removal shall be replaced at no additional cost to the Owner. Where non-coated bars come in contact with epoxy coated bars, they need not be coated.

Plotted by : msn 9-2-2008
 Drawn by : will
 I:/2006/06009/Final/09_02_2008/06009-000-Abutment-Existing.dgn

No.	Revisions	By	Date
CITY OF WICHITA BR. NO. 430400876500010 STA. 17+62.50 EXISTING ABUTMENT DETAILS 21ST STREET OVER LAR PROJECT NO. 472-84748 SEDGWICK COUNTY			
Professional Engineering Consultants, P.A. 303 S. TOPEKA • WICHITA, KANSAS 67202 316-262-2691 • FAX 316-262-3003			
Designed by	M.S.N.	Checked by	R.A.S.
Drawn by	W.L.L.	Date	Feb. 2007 Job No. 06009