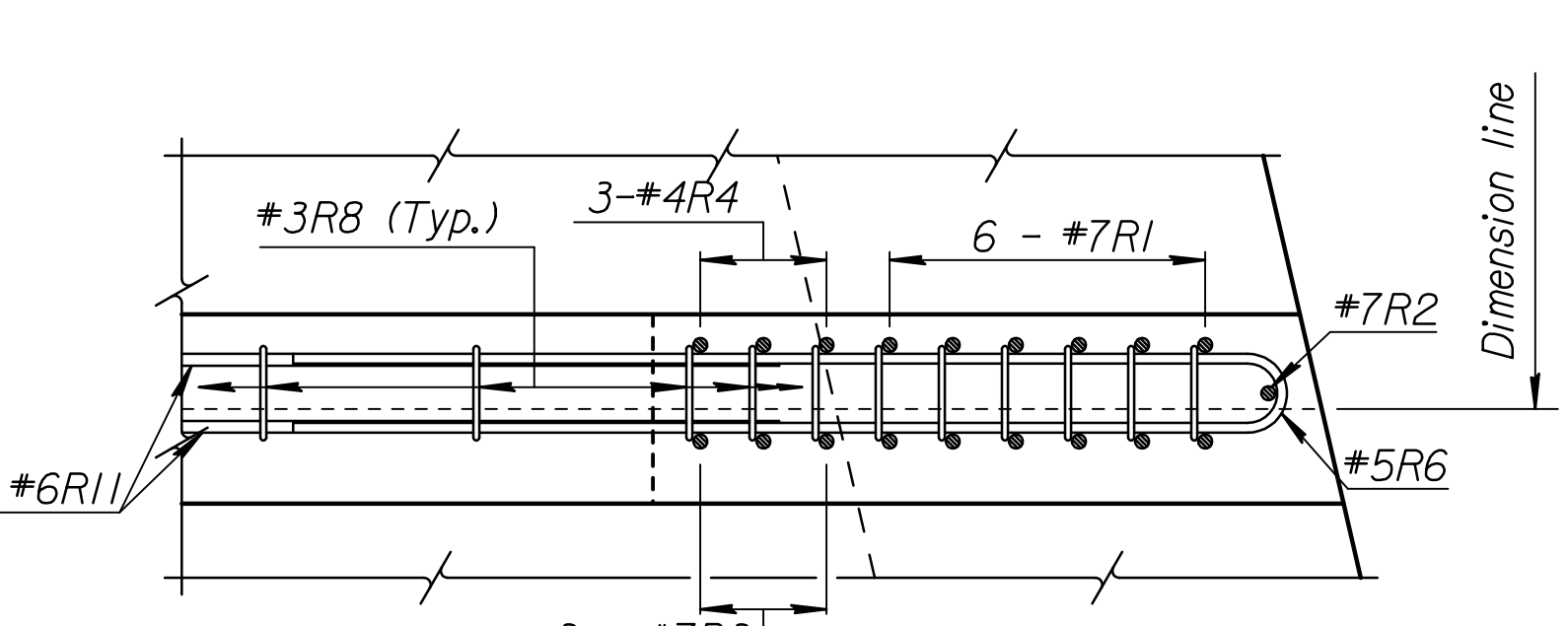
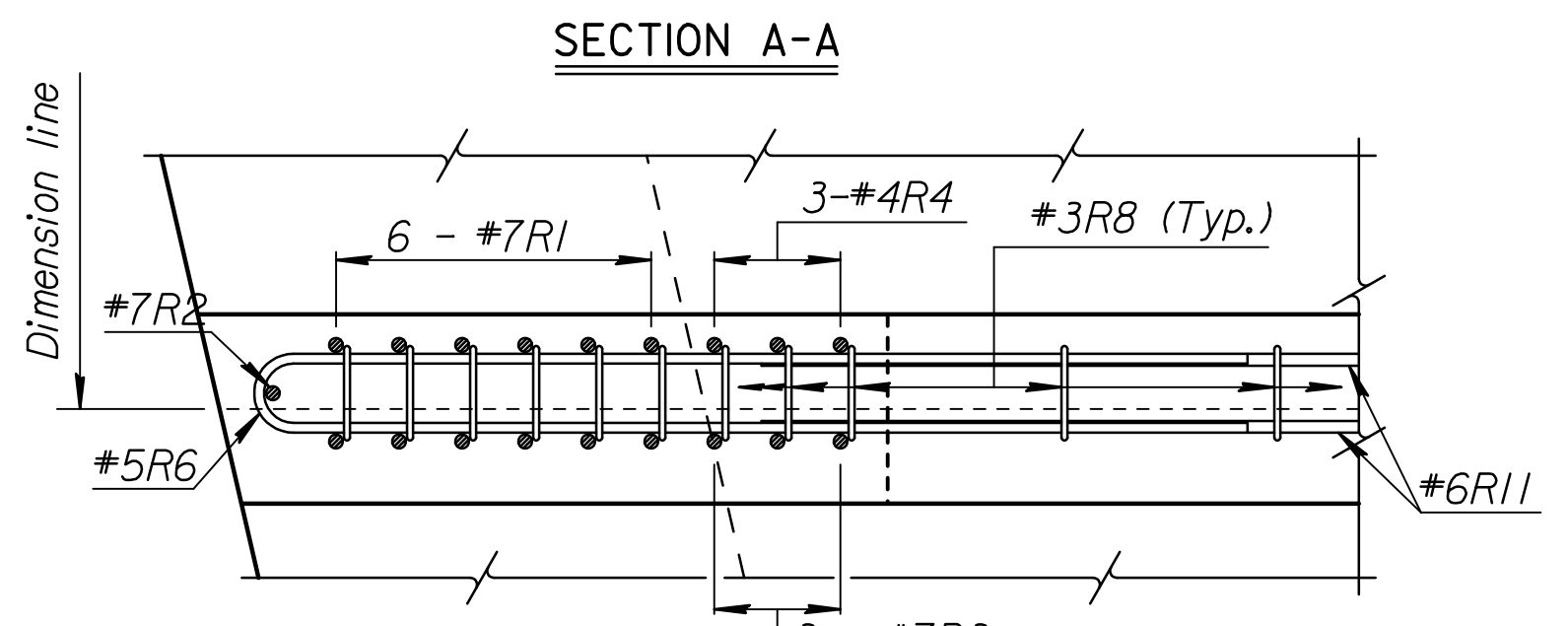
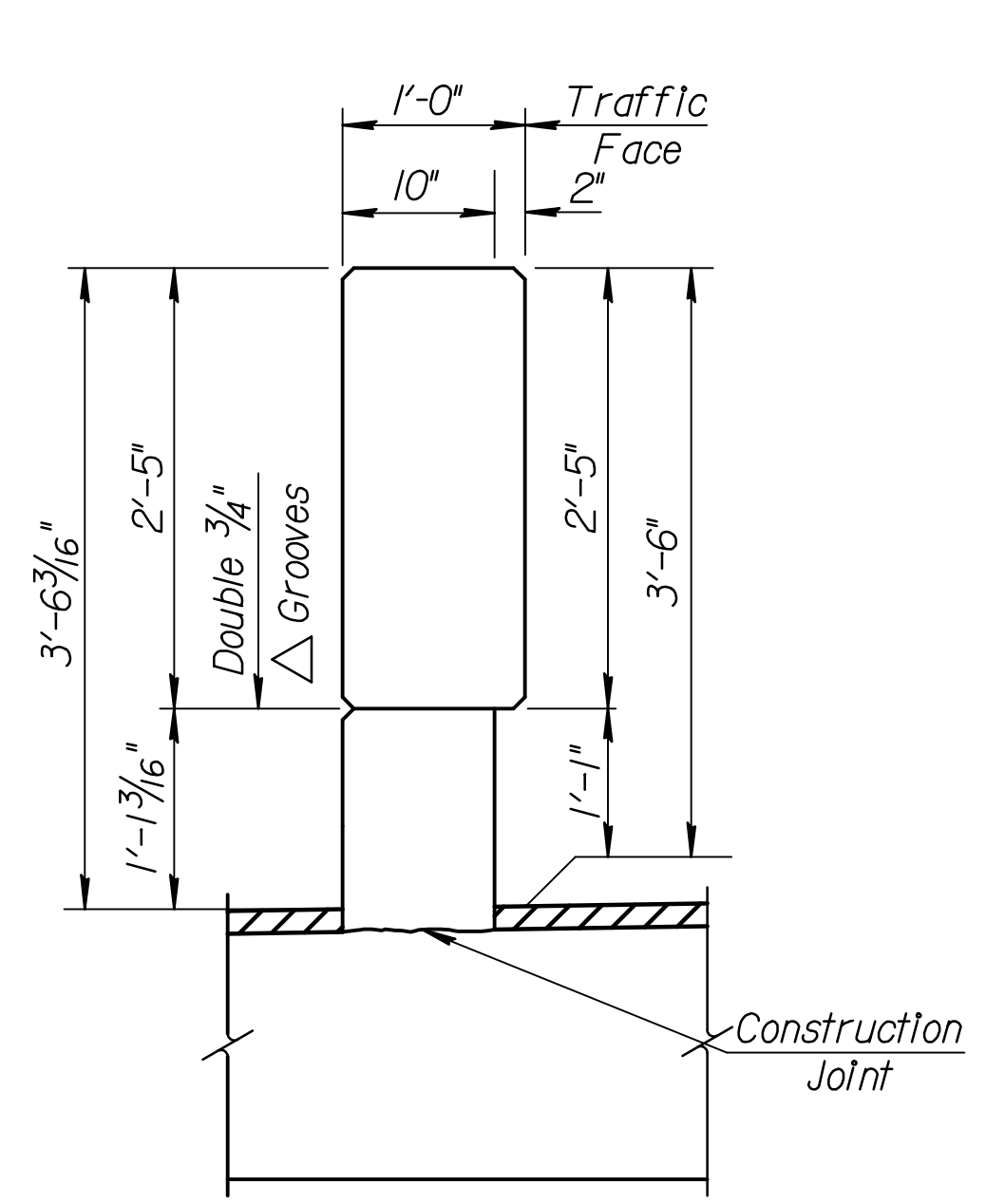
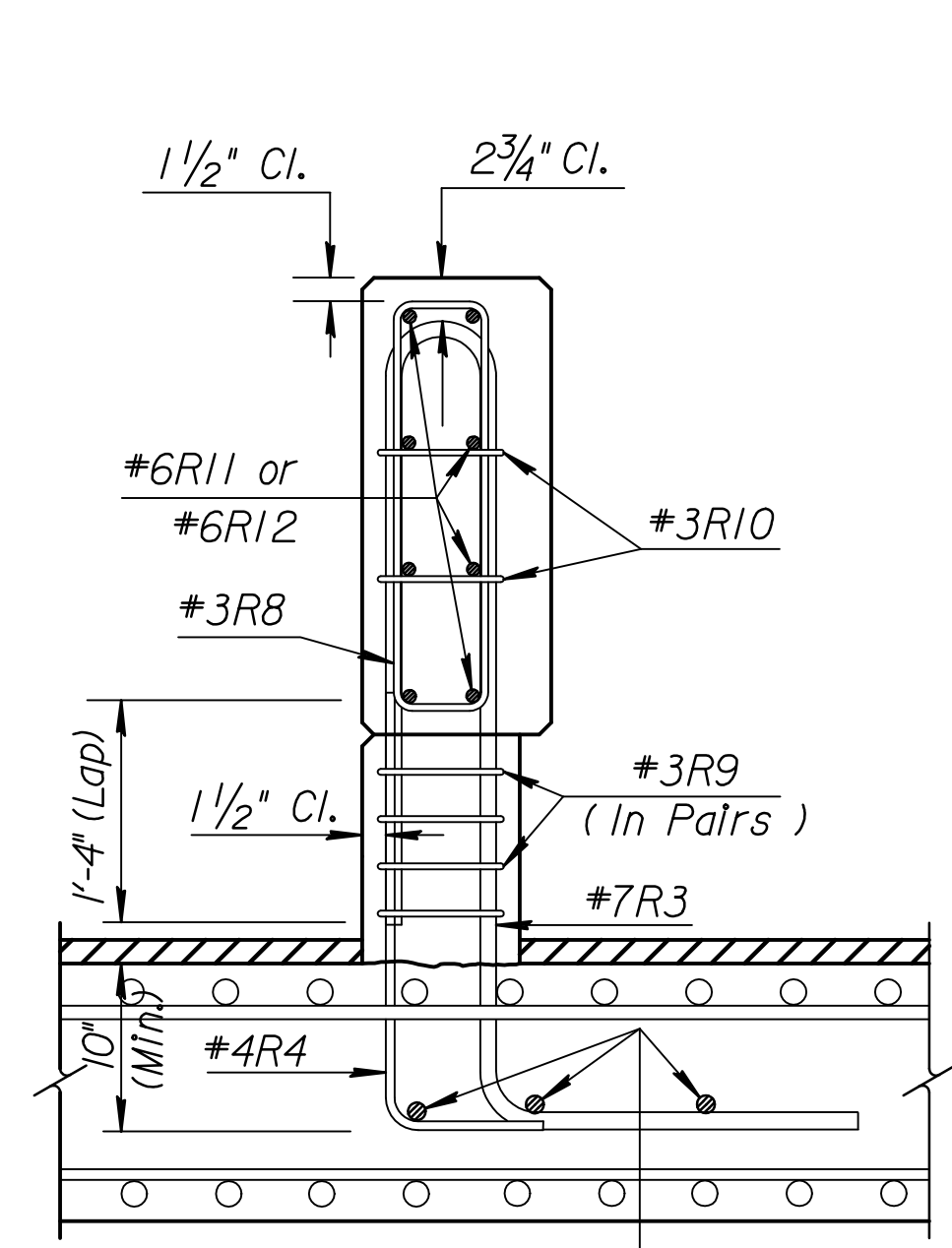
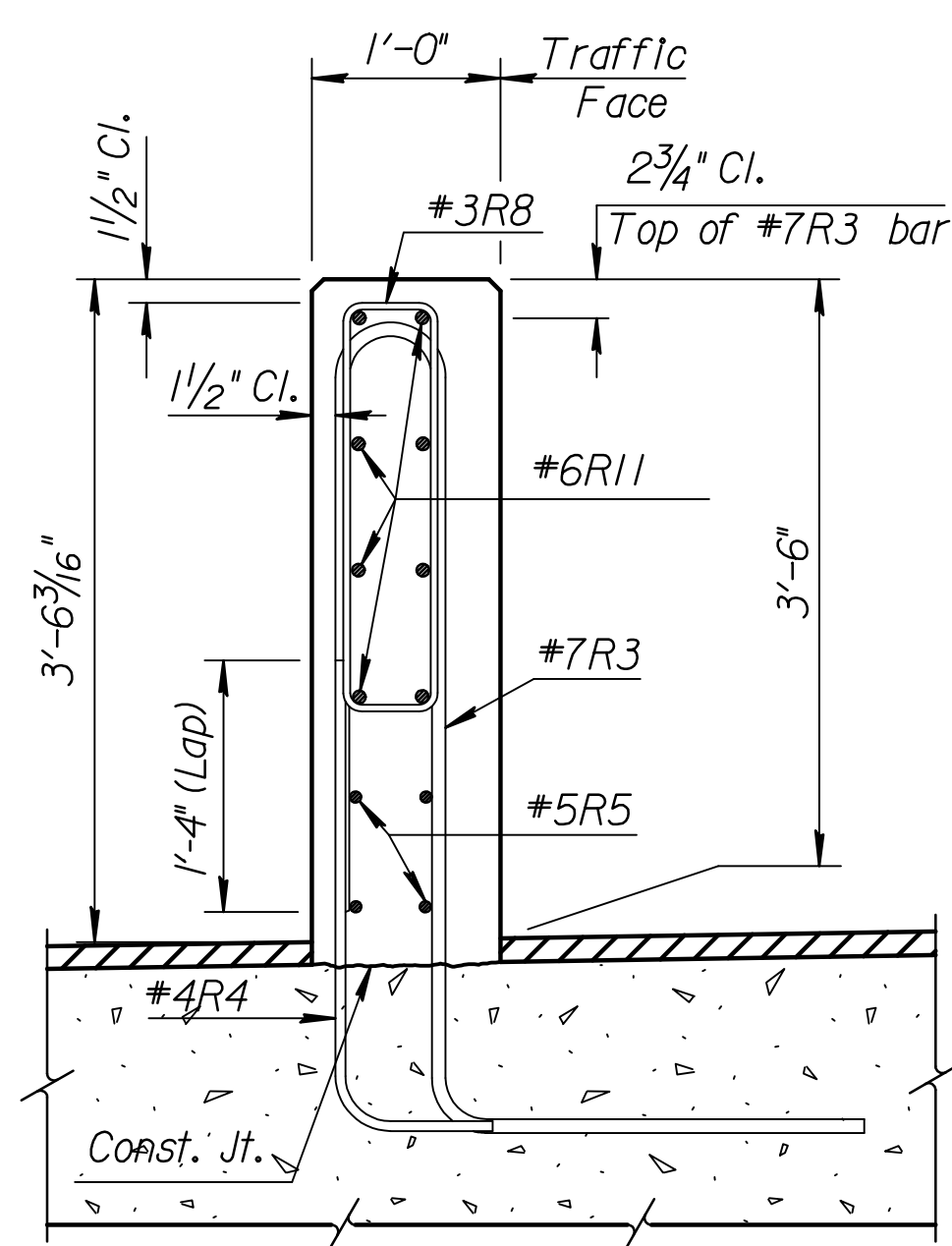
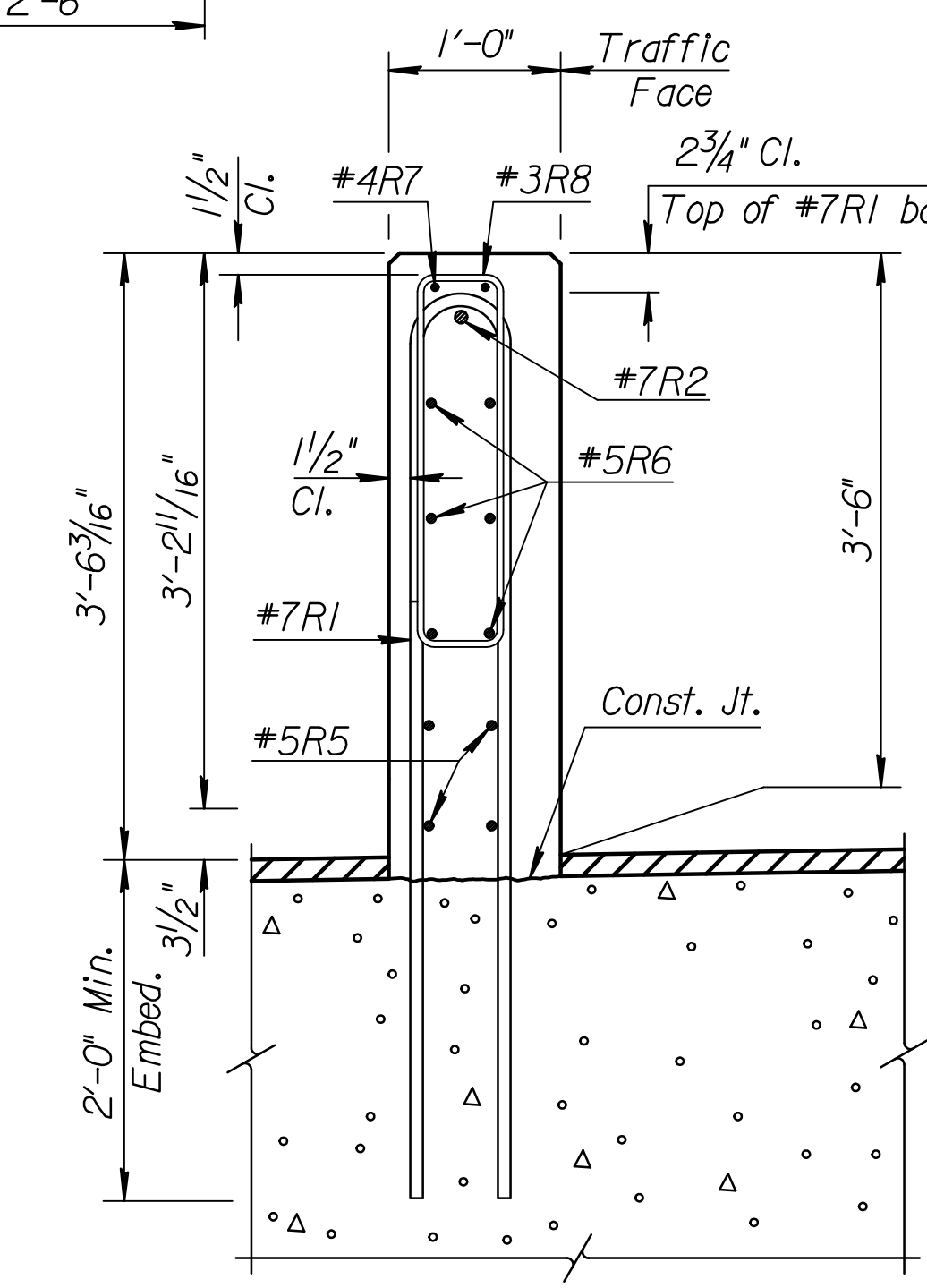
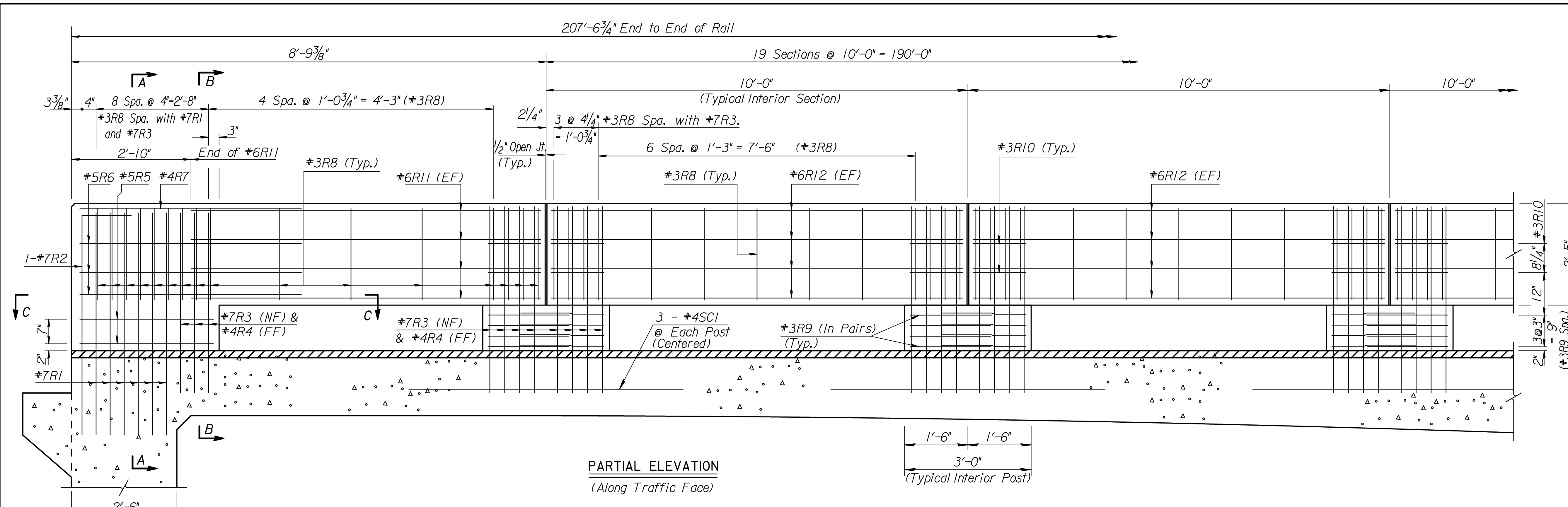


STATE	PROJECT NO.	YEAR	SHEET NO.	TOTAL SHEETS
KANSAS	472-84748	2008	27	52
KDOT PROJECT NO. 87 N-0429-01				



Std. Base File: br182a.dgn
 Plotted By: msn
 File: 2006/06009/Fin/09_02_2008/06009-000-br182a.dgn
 Plot Date: 9-2-2008

3				
2				
1	2-14-05	Current Release		
NO.	DATE	REVISIONS	BY	APP'D
KANSAS DEPARTMENT OF TRANSPORTATION Br. No. 430400876500010 S+ a. 17+62.50 42" KANSAS CORRAL RAIL R C HAUNCHED SLAB (Without Curb) Proj. No. 472-84748 Sedgwick Co.				
SHEET NO.	OF	SCALE	APP'D	
DESIGNED	DETAILLED	QUANTITIES	CADD	
DESIGN CK.	DETAIL CK.	QUAN. CK.	CADD CK.	