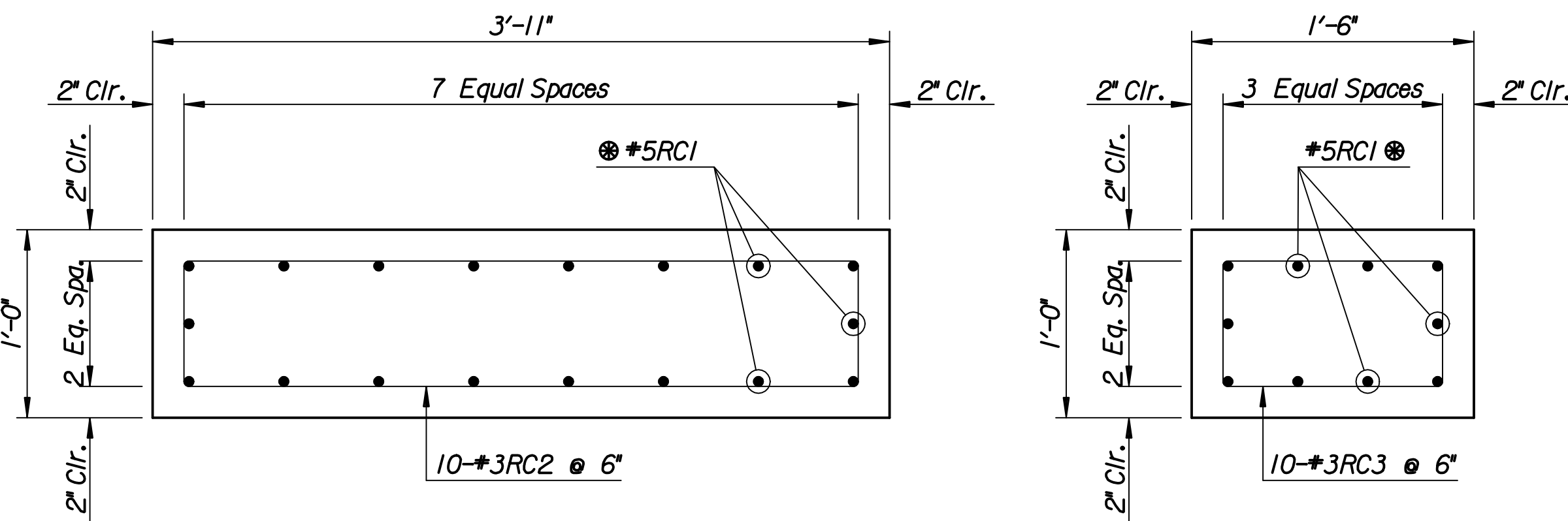


HANDRAIL ELEVATION

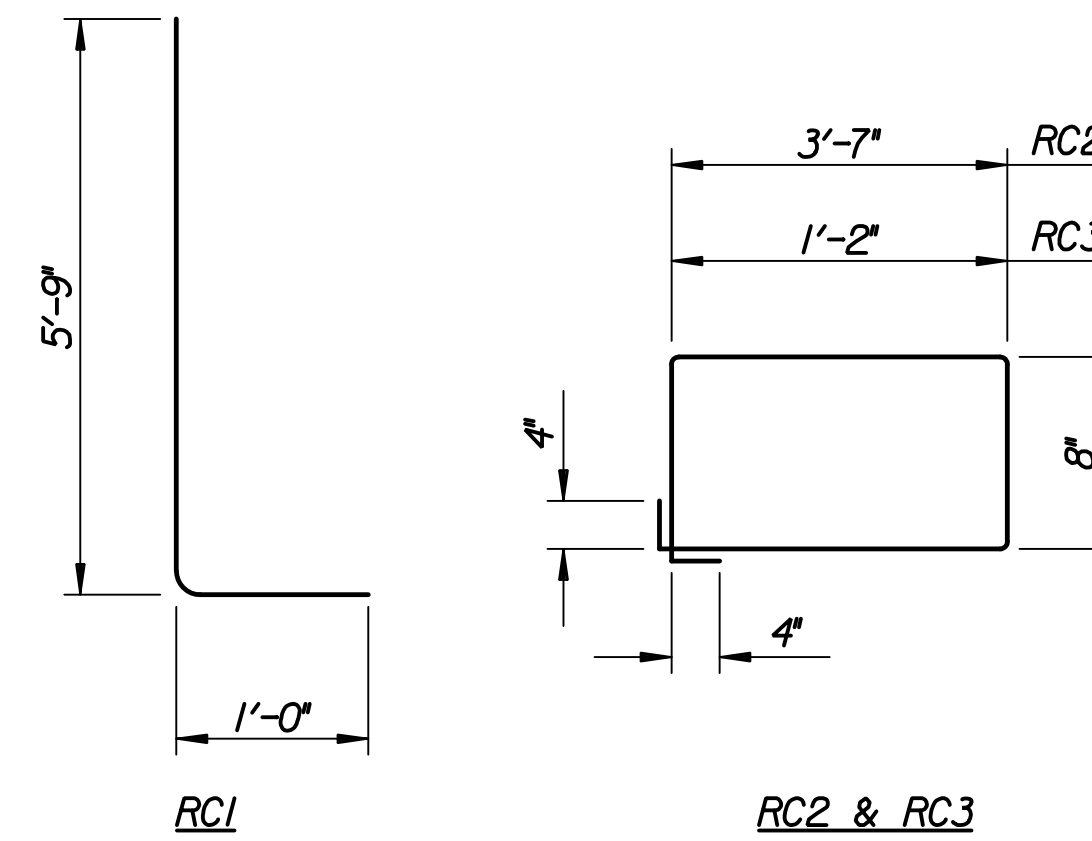


PLAN
End Column
(4 Required)

PLAN
Interior Column
(42 Required)

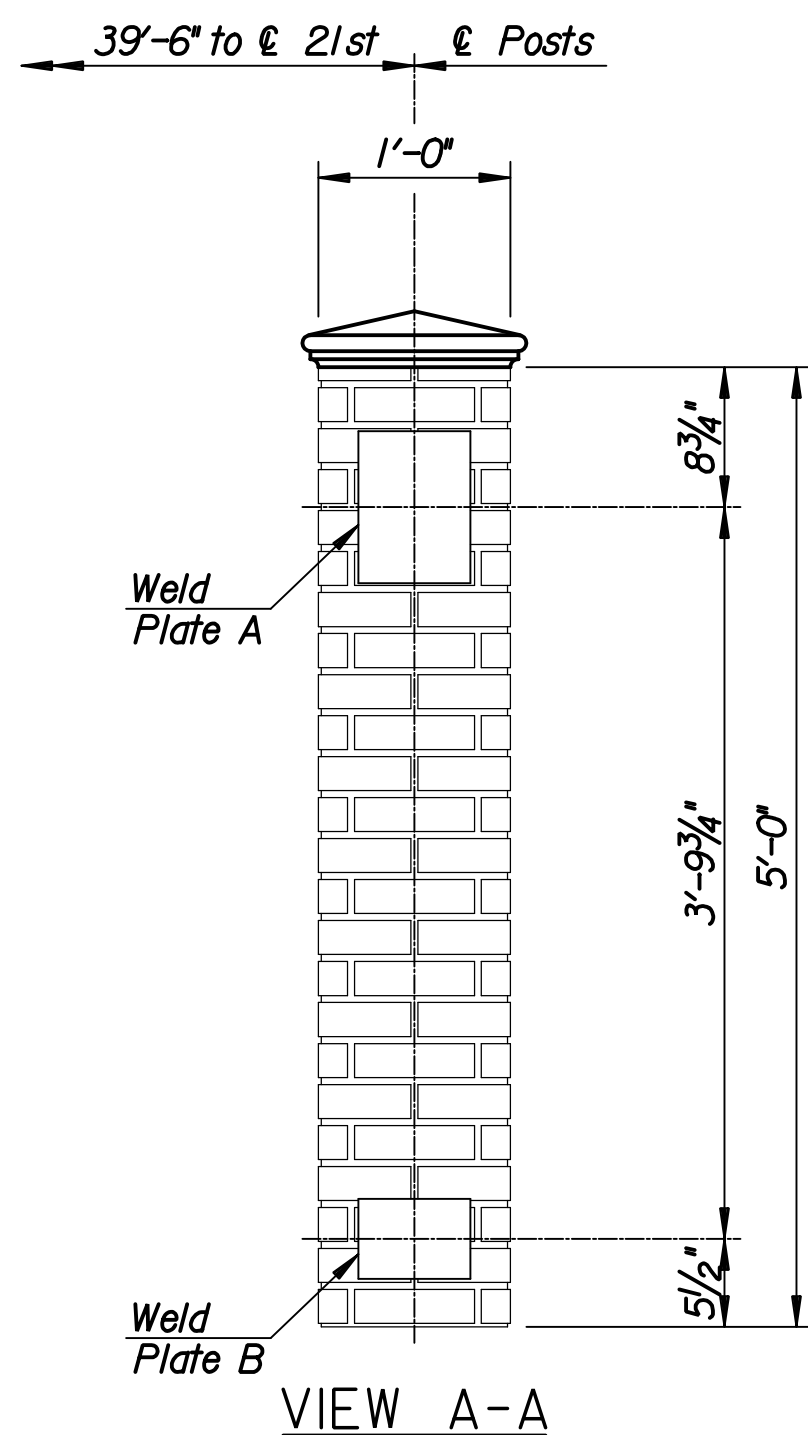
⊗ Embed a minimum of 1'-0" into the concrete slab

REINFORCING STEEL							
Straight Bars			Bent Bars				
Mark	Size	Number	Length	Mark	Size	Number	Length
				RC1	#5	246	6'-9"
				RC2	#3	20	9'-2"
				RC3	#3	210	4'-4"



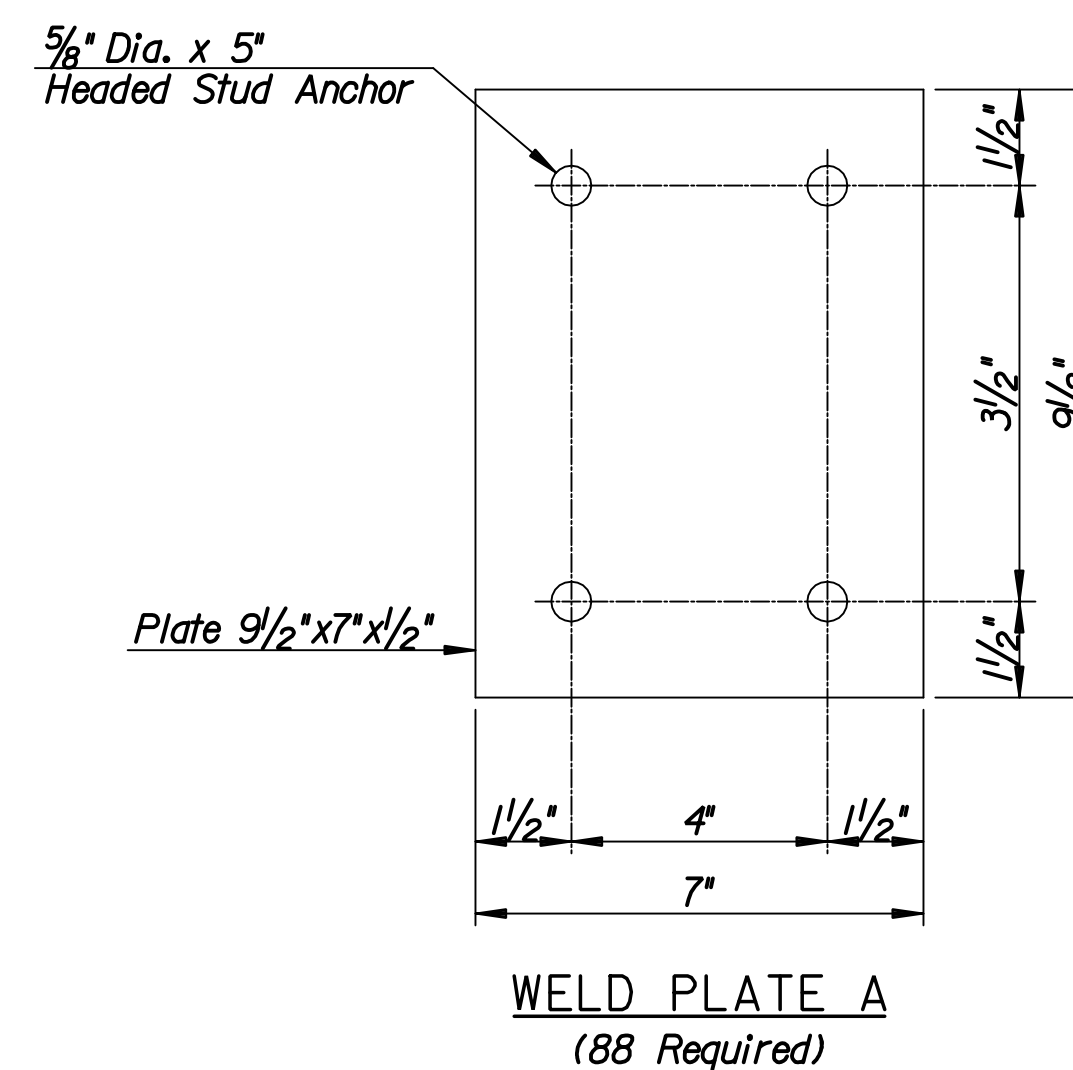
BENDING DIAGRAMS

All dimensions are out to out of bars.

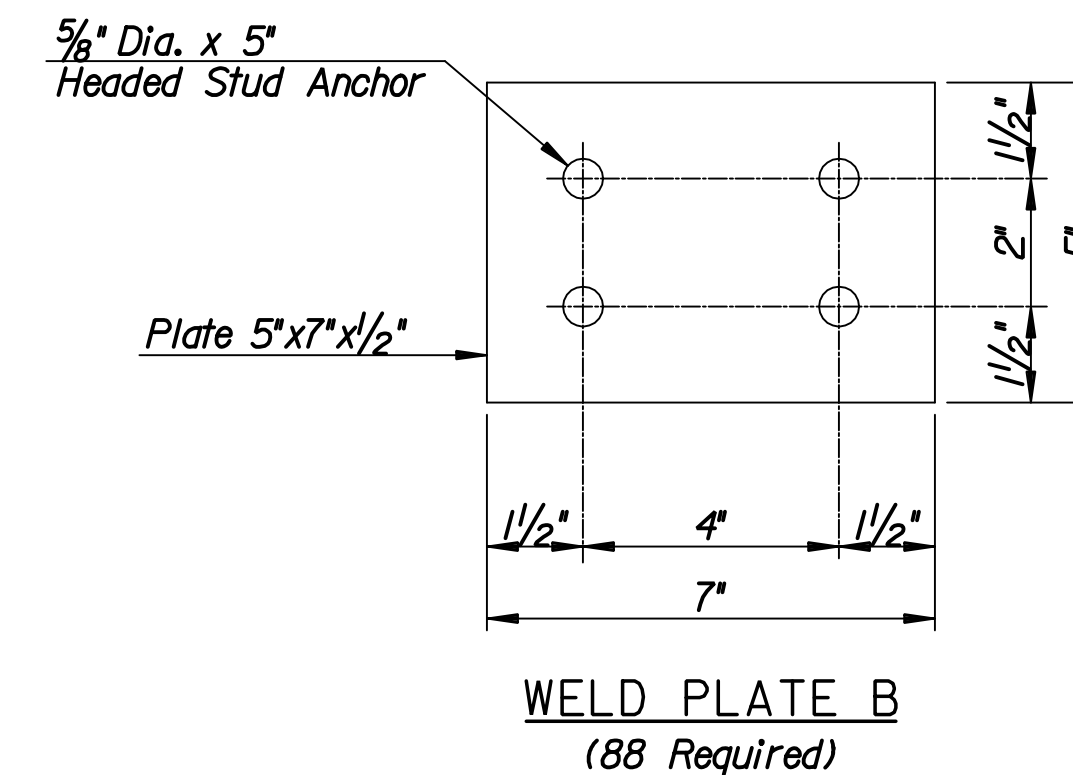


VIEW A-A

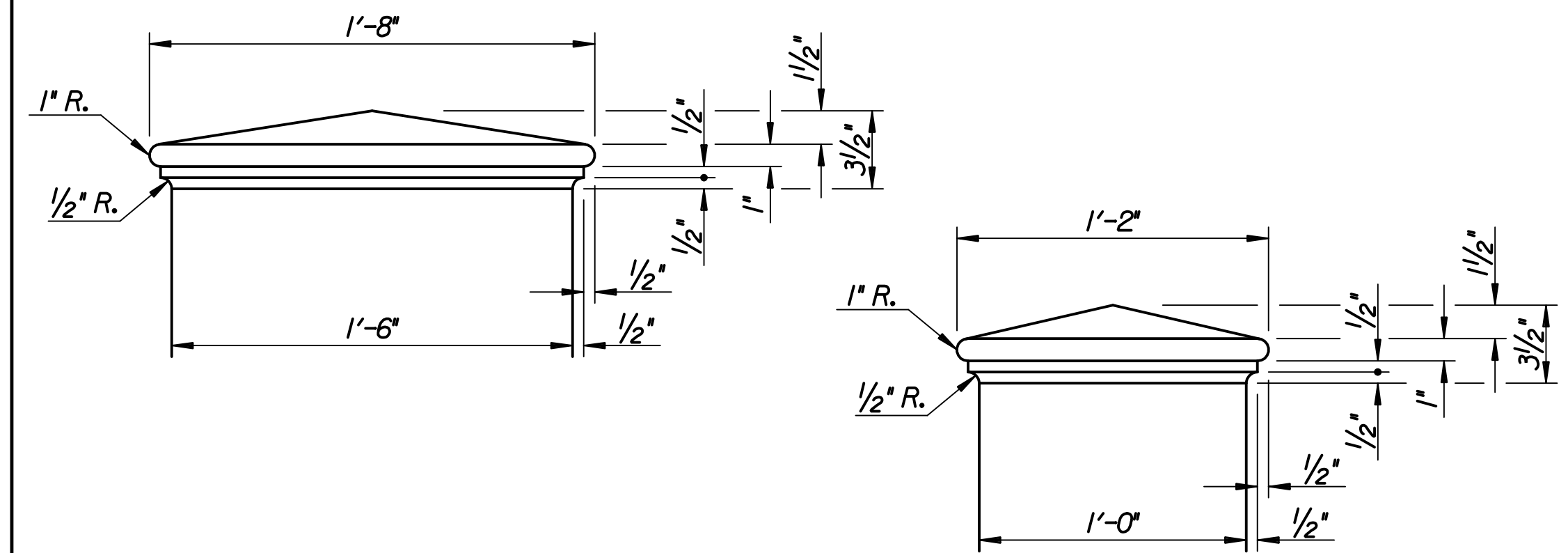
Concrete Columns to be finished with Scott System Rough Brick Formliner (#176) and painted with Federal Spec. color #17778



WELD PLATE A
(88 Required)



WELD PLATE B
(88 Required)



CAP DETAIL B
(4 Required)

CAP DETAIL A
(42 Required)

Plotted by: msn 9-2-2008
drawn by: msn
1/2006/06009/Fin/09_02_2008/06009-000-Handrail-Option-B.dgn

No.	Revisions	By	Date
CITY OF WICHITA BR. NO. 430400876500010 STA. 17+62.50 SPECIAL HANDRAIL DETAILS 21ST STREET OVER LAR PROJECT NO. 472-84748 SEDGWICK COUNTY			
Professional Engineering Consultants, P.A. 303 S. TOPEKA • WICHITA, KANSAS 67202 316-262-2691 • FAX 316-262-3003			
Designed by	M.S.N.	Checked by	R.A.S.
Drawn by	M.S.N.	Date	June 2008 Job No. 06009