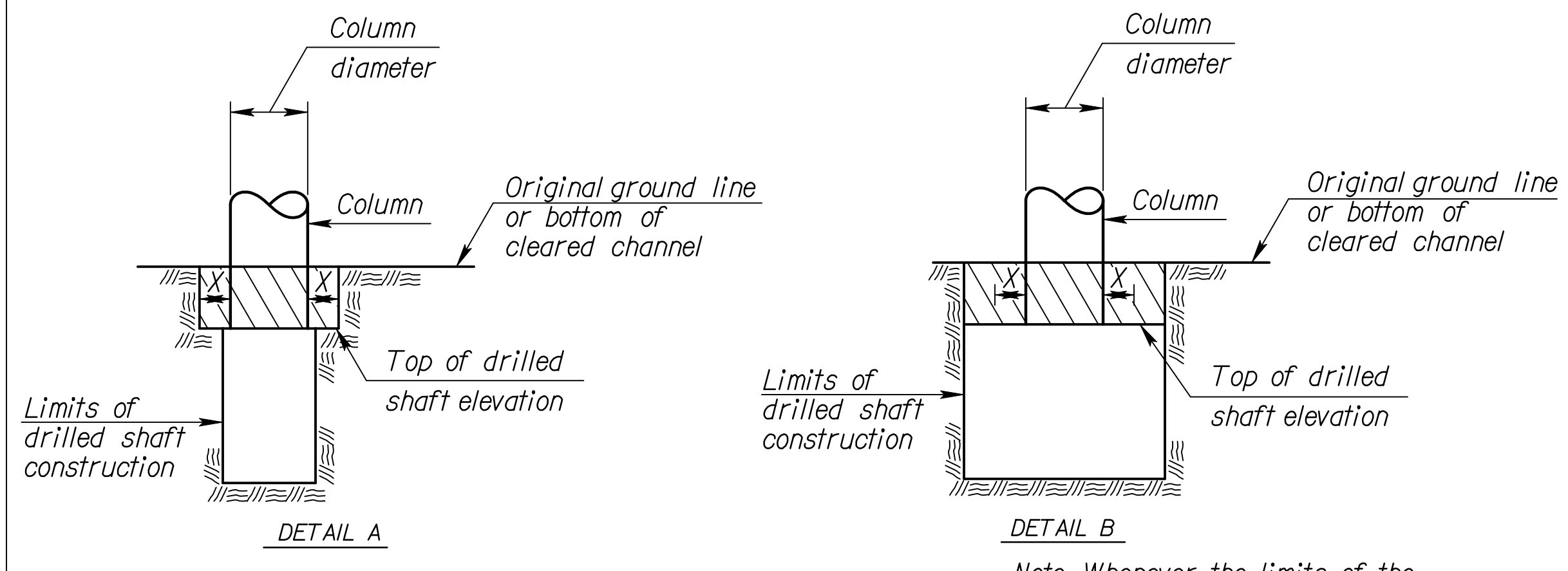
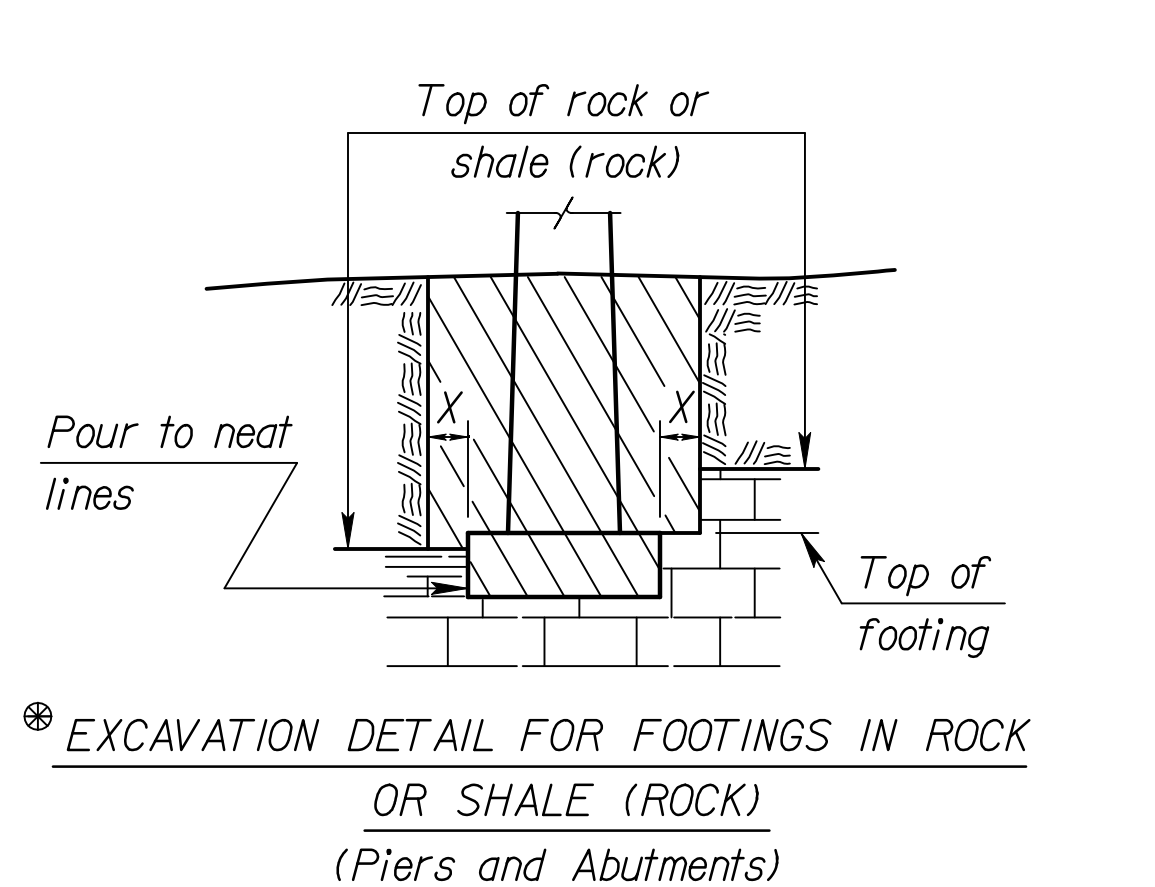
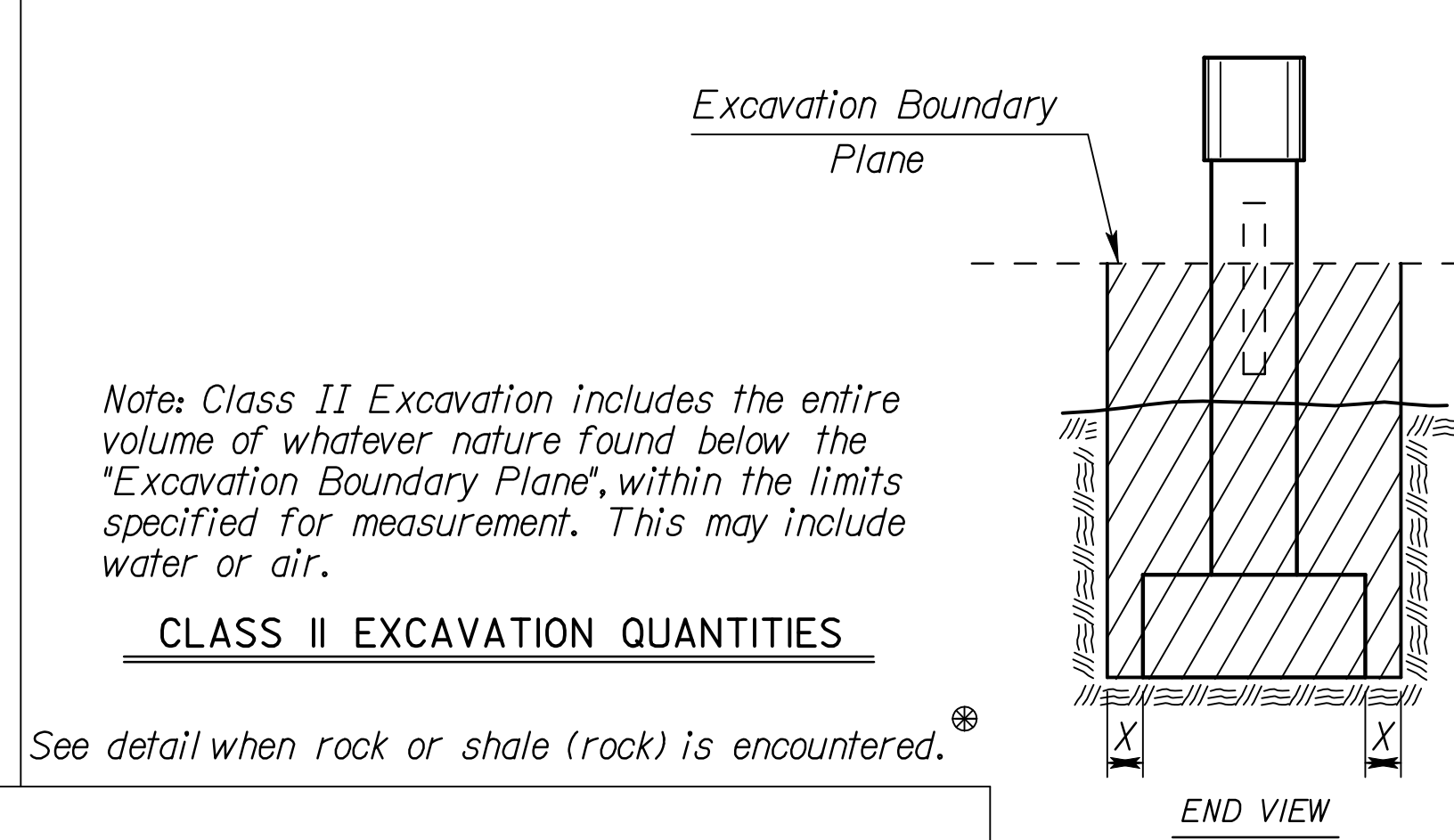
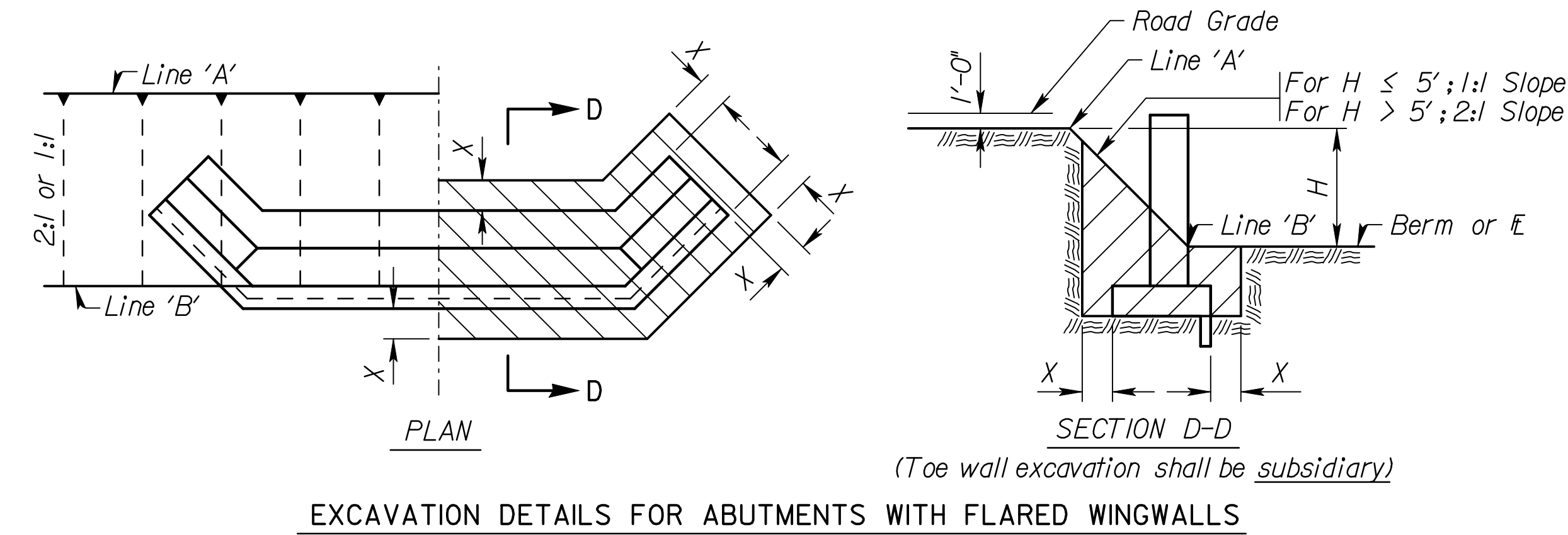
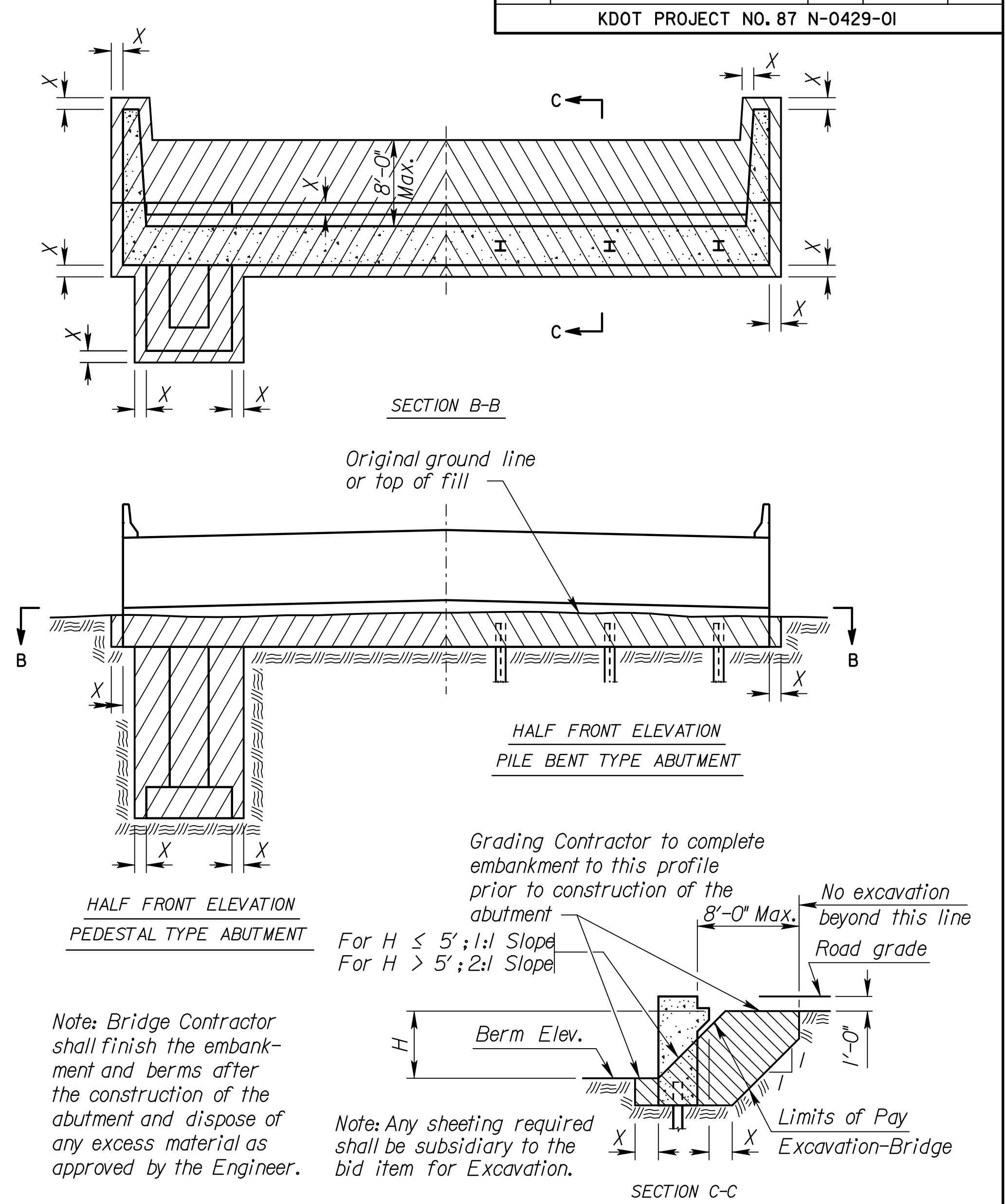
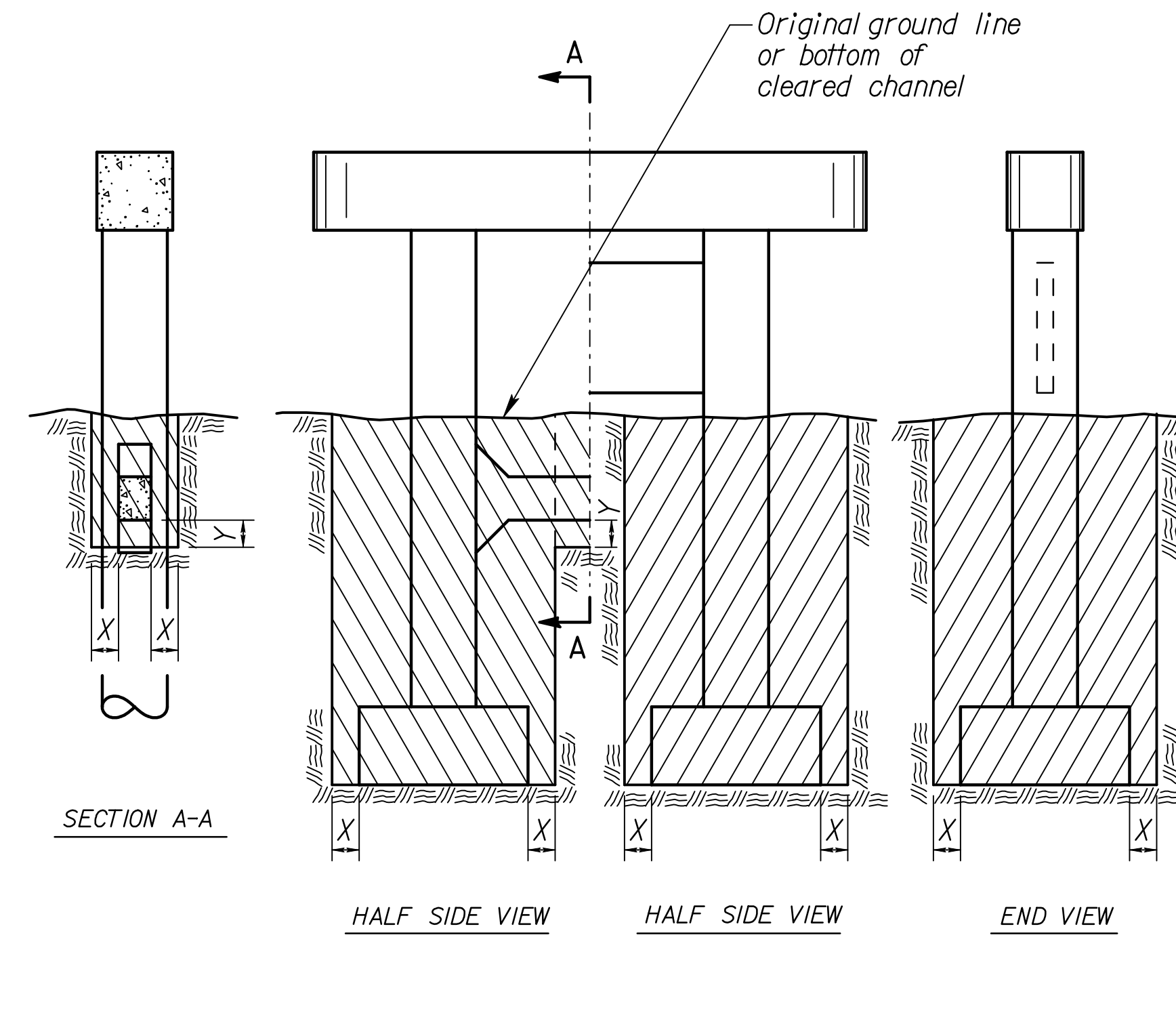
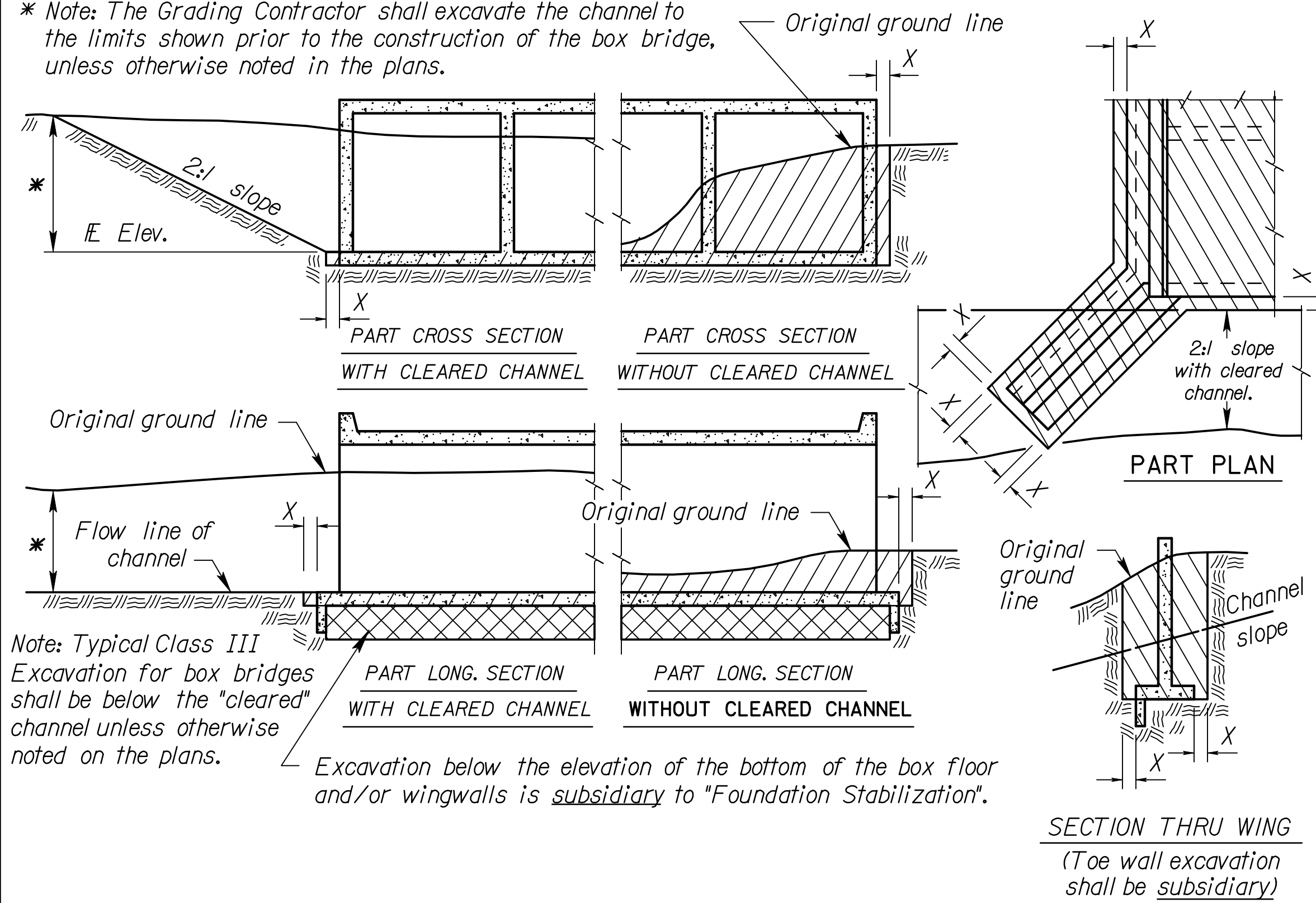


STATE	PROJECT NO.	YEAR	SHEET NO.	TOTAL SHEETS
KANSAS	472-84748	2008	33	52
KDOT PROJECT NO. 87 N-0429-01				

* Note: The Grading Contractor shall excavate the channel to the limits shown prior to the construction of the box bridge, unless otherwise noted in the plans.



Note: All bridge excavation shall be computed on the basis of the cross-hatch areas and boundary lines indicated on this sheet and the Excavation Boundary Plane on the Construction Layout.

Sides of trenches in hard or compacted soil including embankments shall be shored, sheeted, braced or otherwise supported when the trench is more than 5 feet in depth and 8 feet or more in length. In lieu of the shoring, the sides of the trench above the 5 foot level may be sloped to preclude collapse. The slope for average soils shall be 1:1. If the angle of repose of the soil is less, flatter slopes shall be required.

NO.	DATE	REVISIONS	BY	APP'D
8	10-16-06	Revised "Foundation Stab." Note	JPJ	KFH
7	10-19-04	Concrete - Class to Grade	RAM	KFH
6	4-10-02	Added "Foundation Stab." Note	RAM	KFH
5	8-12-95	Correct Section BB at abutment	LRR	KFH
4	1-30-95	Drilled Shaft Excavation	LRR	KFH
3	7-26-94	Change limits at abutment	LRR	KFH
2	1-26-93	Add Class 2 & Flared Wing det.	LRR	KFH
1	4-6-90	Change limits at abutments	LRR	KFH

KANSAS DEPARTMENT OF TRANSPORTATION				
BRIDGE EXCAVATION				
BRI00		II-01-06 APP'D		KENNETH F. HURST
DESIGNED	DETAILED	RDR QUANTITIES	CADD	
DESIGN CK.	DETAIL CK.	LRR QUAN. CK.	CADD CK.	

Std. Base File: br100.dgn
 Plotted By: unfiled
 File: A:\2006\0609\Final\09_02_2008\0609-000-br100(v8).dgn
 Plot Date: 9/3/2008