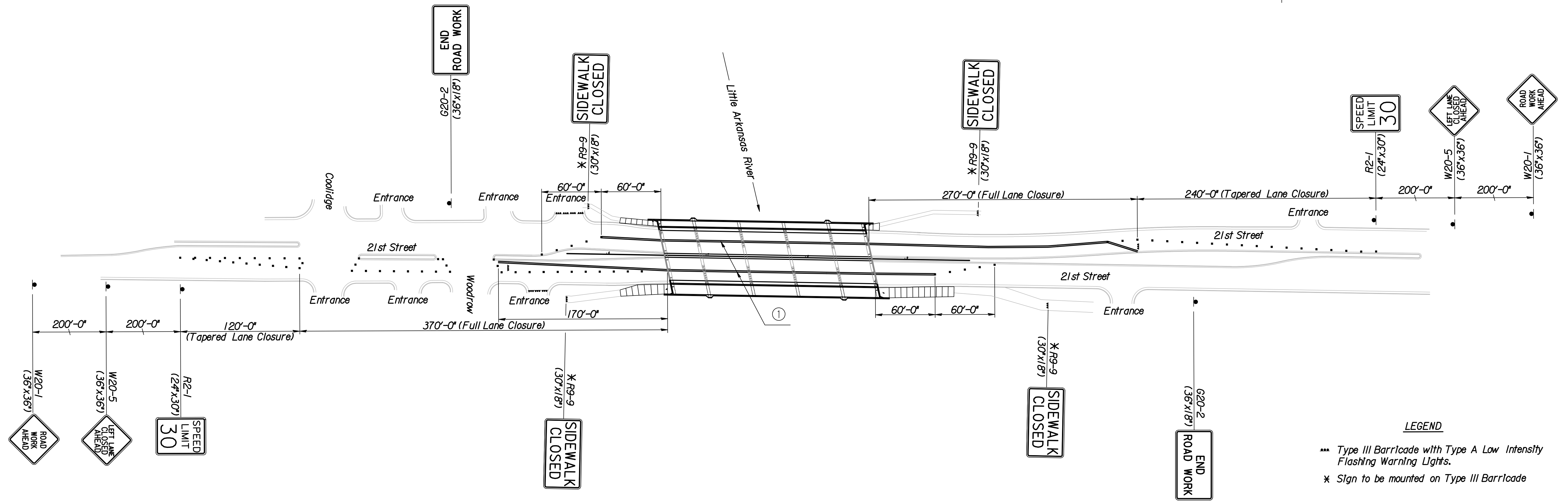
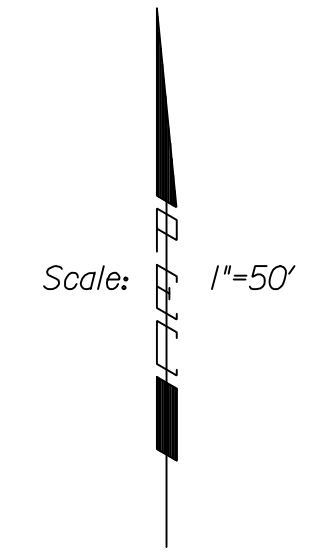


STATE	PROJECT NO.	YEAR	SHEET NO.	TOTAL SHEETS
KANSAS	472-84748	2008	41	52
KDOT PROJECT NO. 87 N-0429-01				



**LEGEND**

- \*\*\* Type III Barricade with Type A Low Intensity Flashing Warning Lights.
  - \* Sign to be mounted on Type III Barricade
  - ① Temporary Concrete Safety Barrier. Contractor shall provide a minimum lane width of 11'-0".
- Channelization devices shall have a minimum spacing of 15 feet.

No.	Revisions	By	Date
<b>CITY OF WICHITA</b> BR. NO. 430400876500010 STA. 17+62.50 <b>TRAFFIC CONTROL PLAN</b> <b>PHASE 2</b> <b>21ST STREET OVER LAR</b> PROJECT NO. 472-84748 SEDGWICK COUNTY			
<b>Professional Engineering Consultants, P.A.</b> <small>303 S. TOPEKA • WICHITA, KANSAS 67202          316-262-2691 • FAX 316-262-3003</small>			
Designed by	M.S.N.	Checked by	R.A.S.
Drawn by	M.S.N.	Date	Apr 11 2008 Job No. 06009

Plotted by : msn 9-2-2008  
 Drawn by : msn  
 I:/2006/06009/Final/09\_02\_2008/06009-000-Traffic-Control\_2.dgn