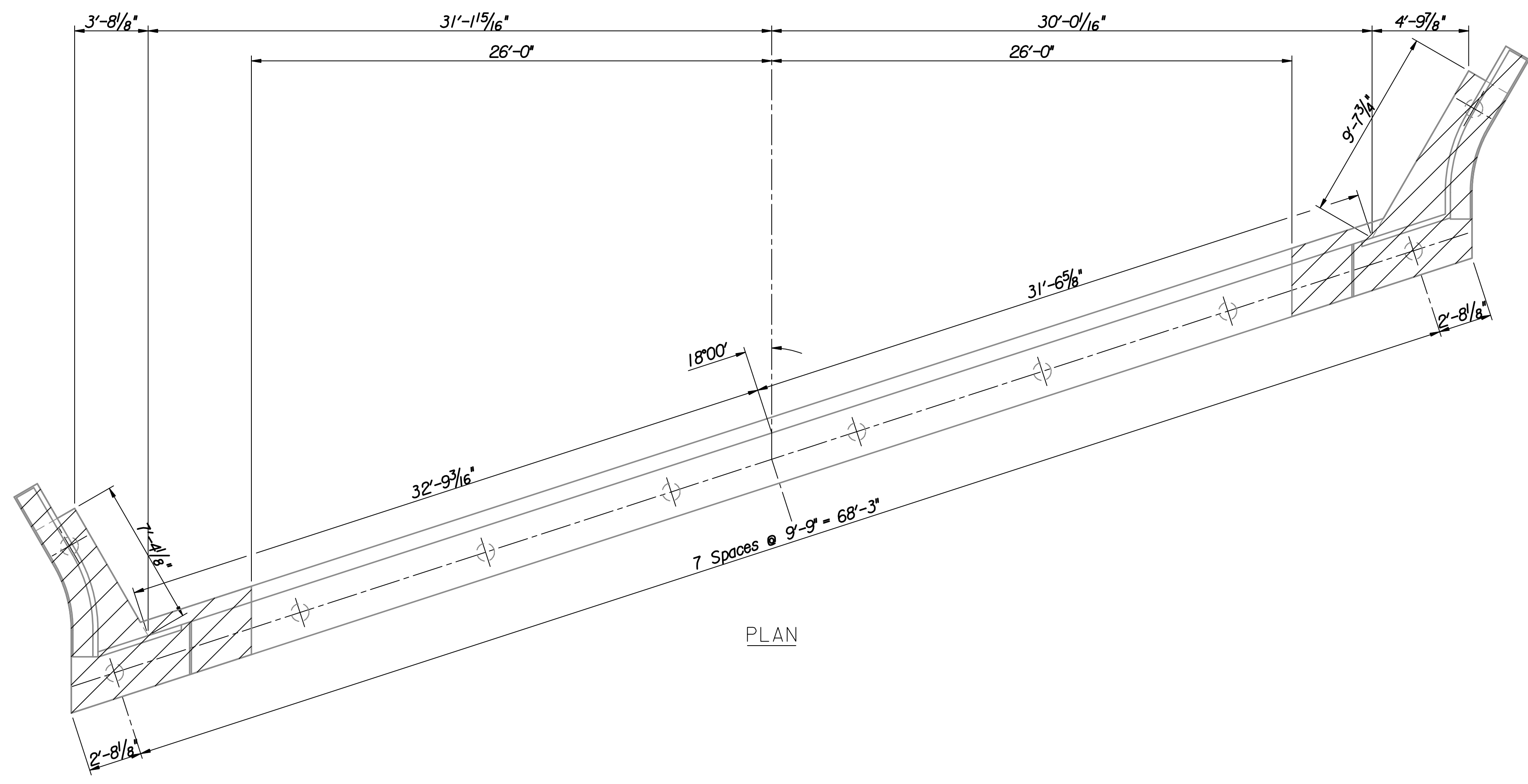
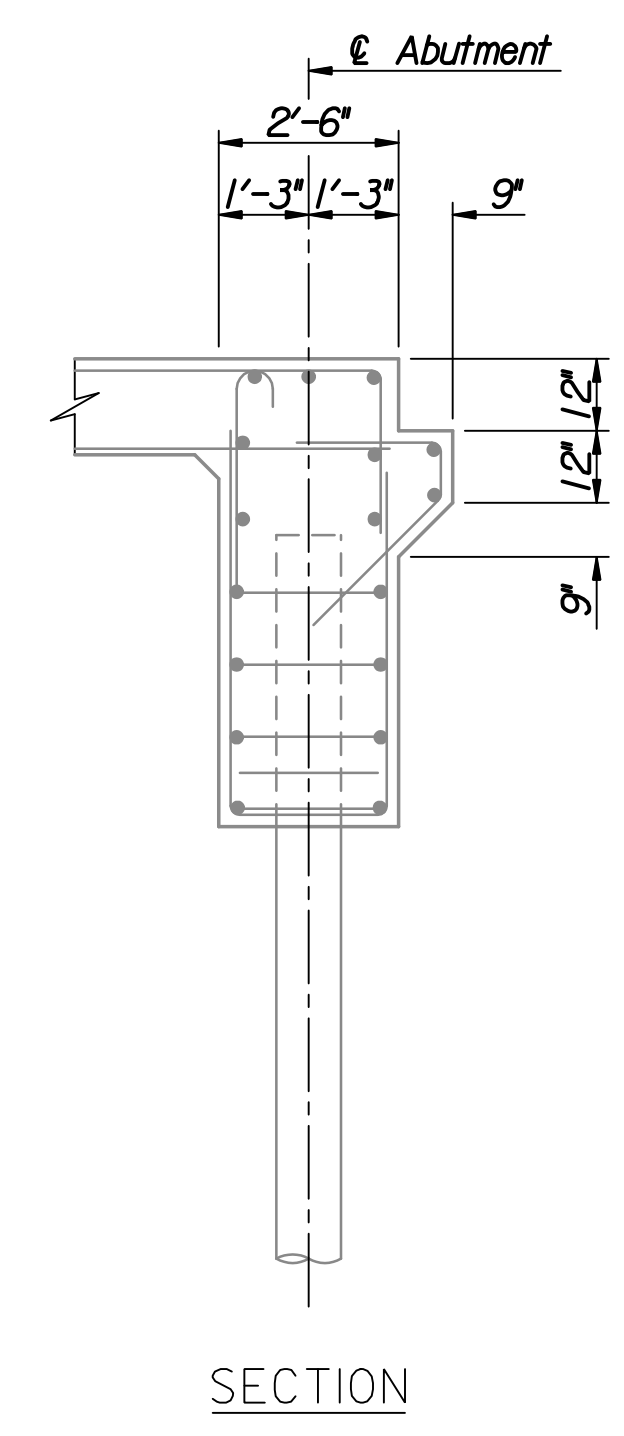
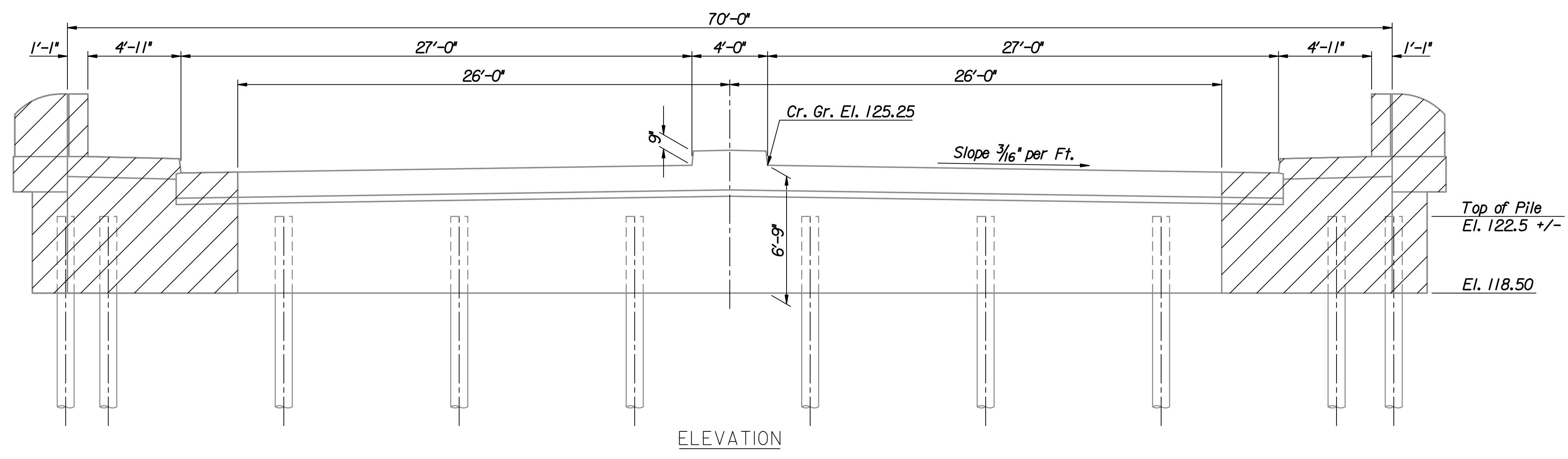


STATE	PROJECT NO.	YEAR	SHEET NO.	TOTAL SHEETS
KANSAS	472-84595	2008	14	43
KDOT PROJECT NO. 87 N-0360-01				



Removal Area

Existing longitudinal reinforcing steel shall remain in place unless it is sufficiently deteriorated. Any reinforcing steel cut or damaged by the Contractor during concrete removal shall be replaced at no additional cost to the Owner. Where non-coated bars come in contact with epoxy coated bars, they need not be coated.

Plotted by : msn 9-3-2008  
 Drawn by : will  
 I:/2006/06008/finl/09\_02\_2008/06008-000-Abutment-Ex.stfmg.dgn

No.	Revisions	By	Date
<b>CITY OF WICHITA</b>			
BR. NO. 530400870LARI00		STA. 69+55.00	
<b>EXISTING ABUTMENT DETAILS</b>			
<b>25TH STREET OVER LAR</b>			
PROJECT NO. 472-84595		SEDGWICK COUNTY	
<b>Professional Engineering Consultants, P.A.</b>			
303 S. TOPEKA • WICHITA, KANSAS 67202 316-262-2691 • FAX 316-262-3003			
Designed by	M.S.N.	Checked by	R.A.S.
Drawn by	W.L.L.	Date	Apr 11 2008
		Job No.	06008