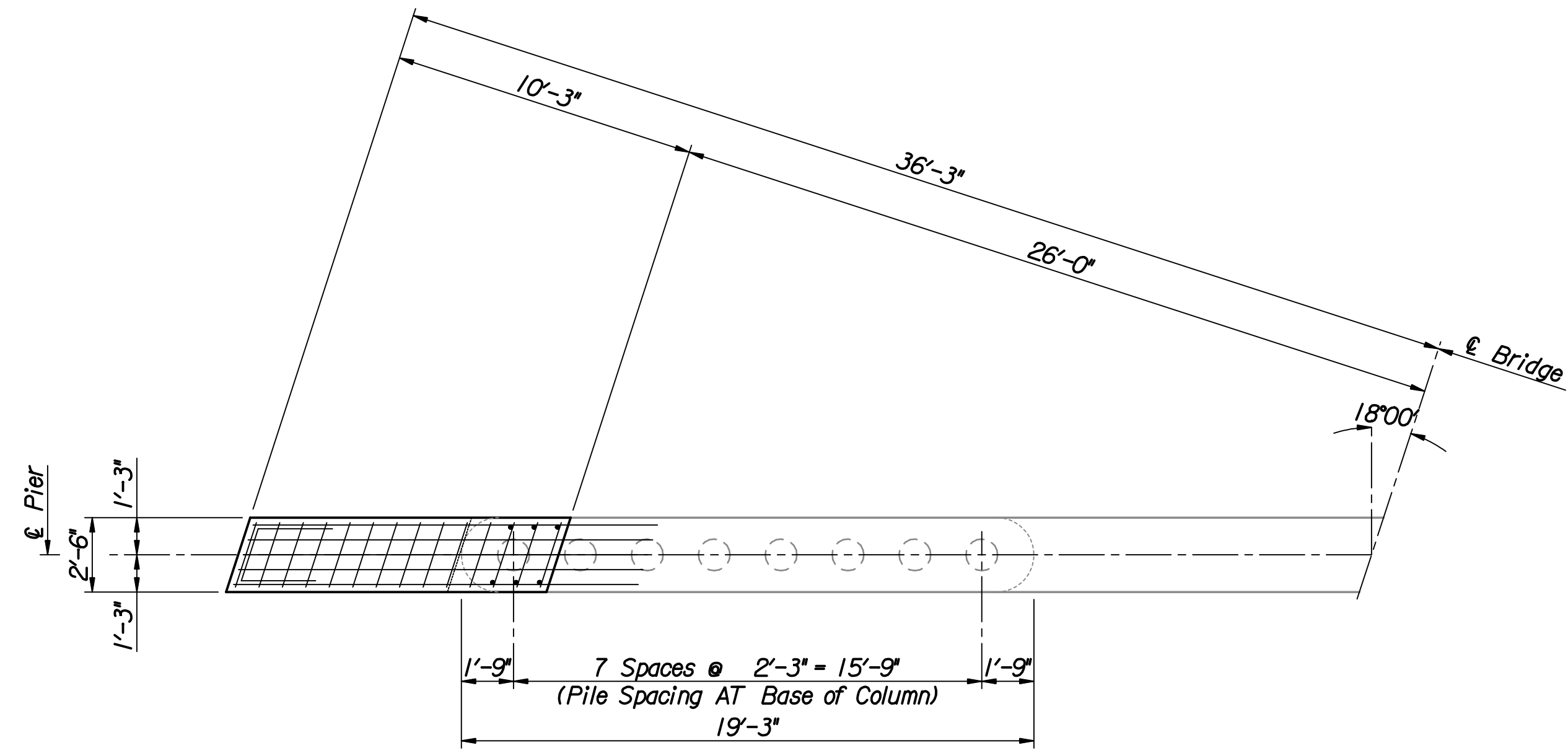
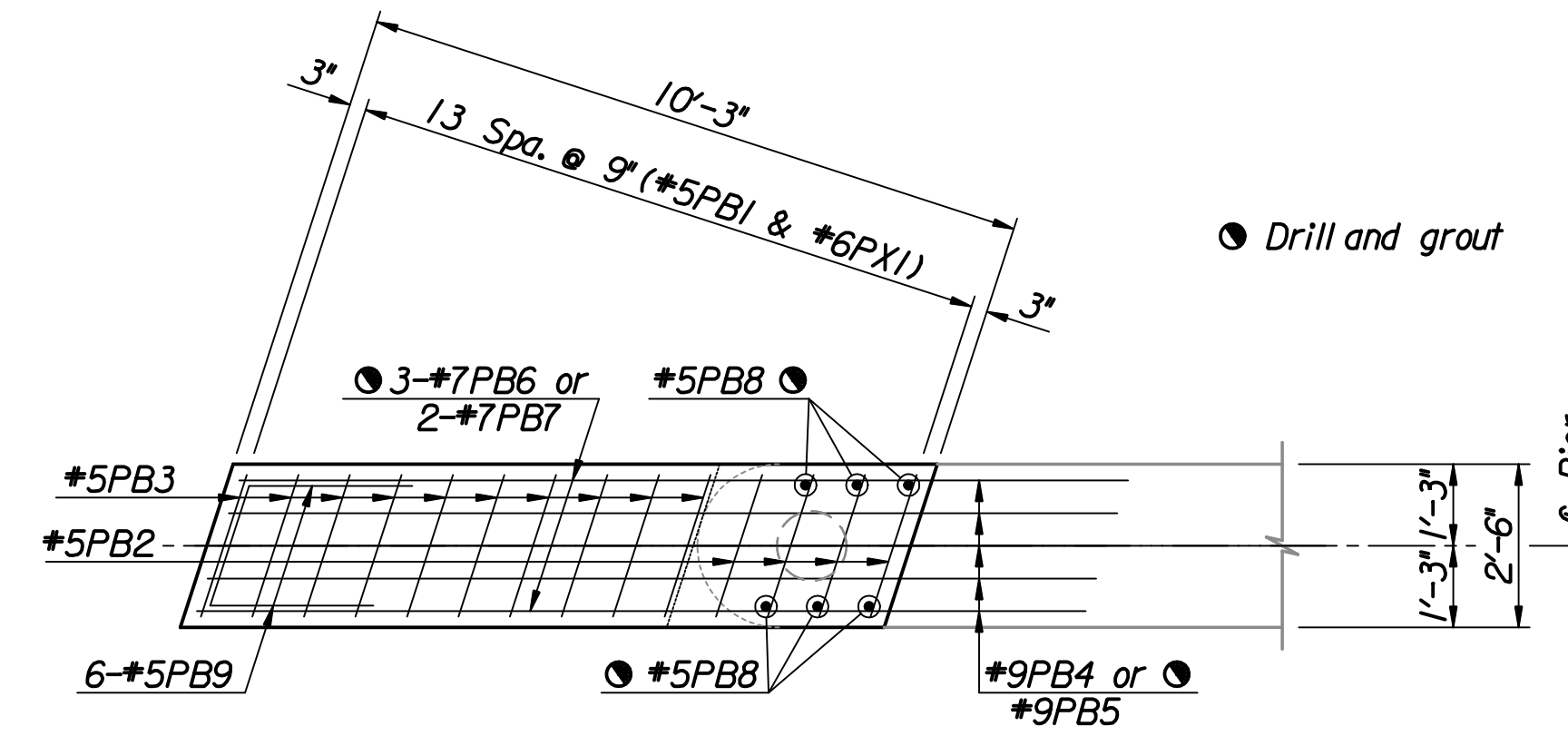


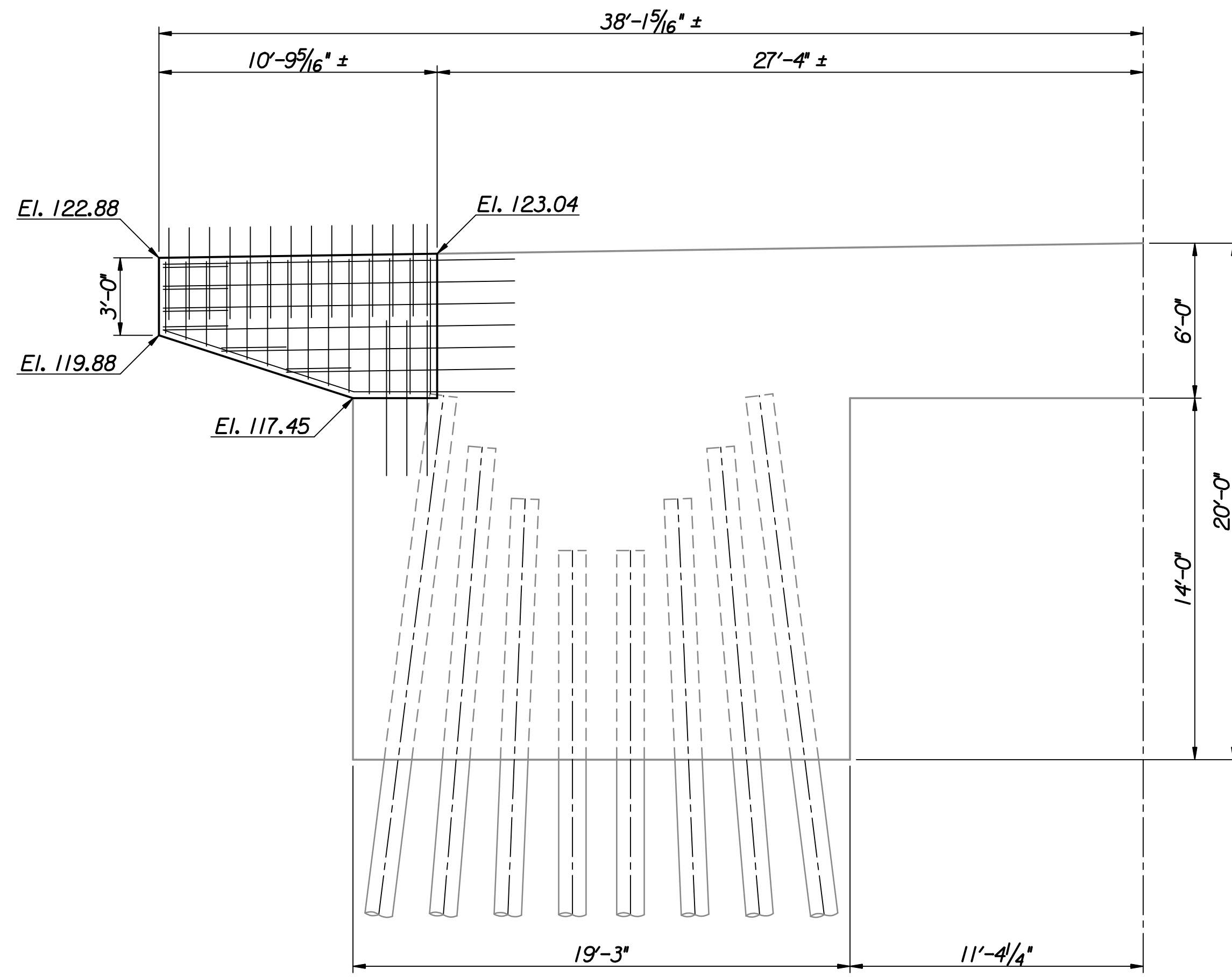
STATE	PROJECT NO.	YEAR	SHEET NO.	TOTAL SHEETS
KANSAS	472-84595	2008	19	43
KDOT PROJECT NO. 87 N-0360-01				



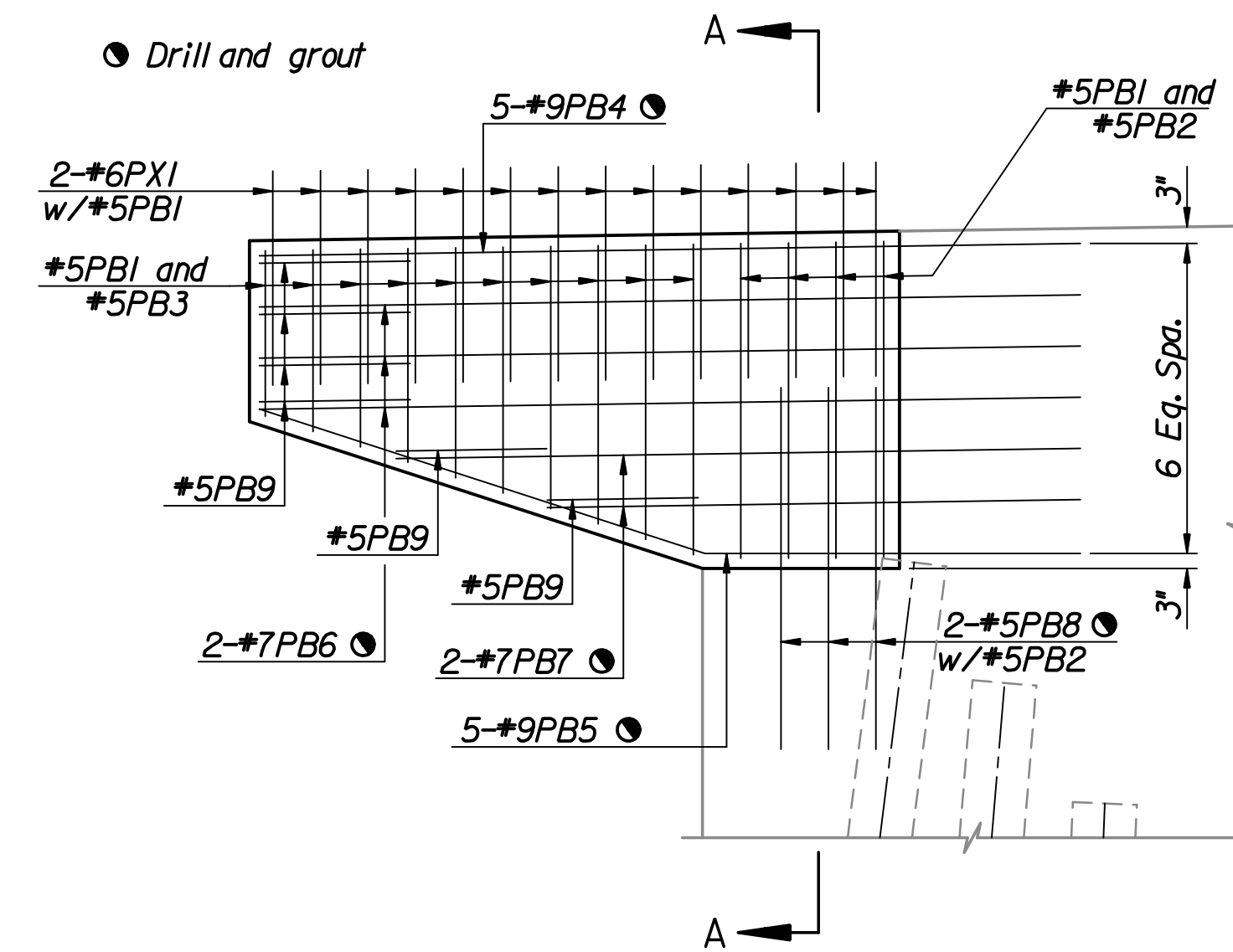
HALF PLAN



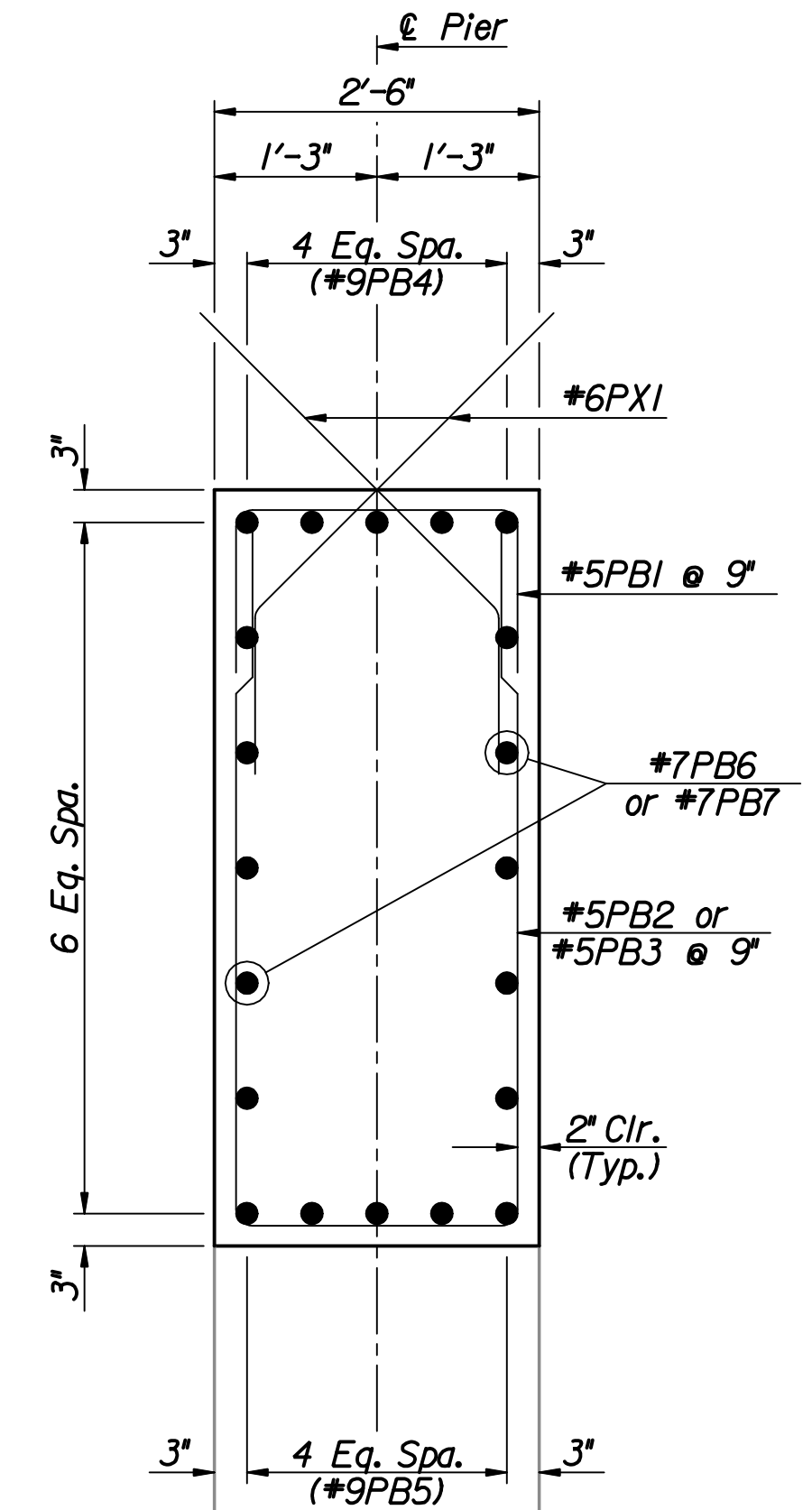
PIER BEAM EXTENSION PLAN



HALF ELEVATION



PIER BEAM EXTENSION ELEVATION



SECTION A-A

GENERAL NOTES

**DRILL & GROUT:** This item shall consist of grouting reinforcing steel into the existing concrete, where required by the Engineer, with an epoxy grout. Locate each hole with the aid of a pachometer to miss the existing reinforcing steel. Drill the holes to the specifications required by the grout manufacturer and in such a manner as not to damage adjacent concrete or bars. After the hole is drilled, remove all loose material by using a wire brush to free the dust from the side of the hole and then vacuuming to remove material and dust. Follow the manufacturer's directions for mixing, application and curing.

**REINFORCING STEEL:** All dimensions relative to reinforcing steel placement are to the centerline of bars unless otherwise noted. Bar bending and dimensions shall be shown and noted on the bending diagrams. The clear distance from face of concrete to near edge or end of reinforcing bar shall be 2" unless otherwise noted. All reinforcing steel shall conform to requirements of ASTM A615, Grade 60.

No.	Revisions	By	Date
<b>CITY OF WICHITA</b> BR. NO. 530400870LAR100 STA. 69+55.00 <b>PIER WIDENING DETAILS</b> <b>PIER #2 AND PIER #3</b> <b>25TH STREET OVER LAR</b> PROJECT NO. 472-84595 SEDGWICK COUNTY			
<b>Professional Engineering Consultants, P.A.</b> 303 S. TOPEKA • WICHITA, KANSAS 67202 316-262-2691 • FAX 316-262-3003			
Designed by	M.S.N.	Checked by	R.A.S.
Drawn by	M.S.N.	Date	April 2008 Job No. 06008

Plotted by : msn 9-3-2008  
 Drawn by : msn  
 I:\2006\06008\Final\09\_02\_2008\06008-000-Pier-Widening.dgn