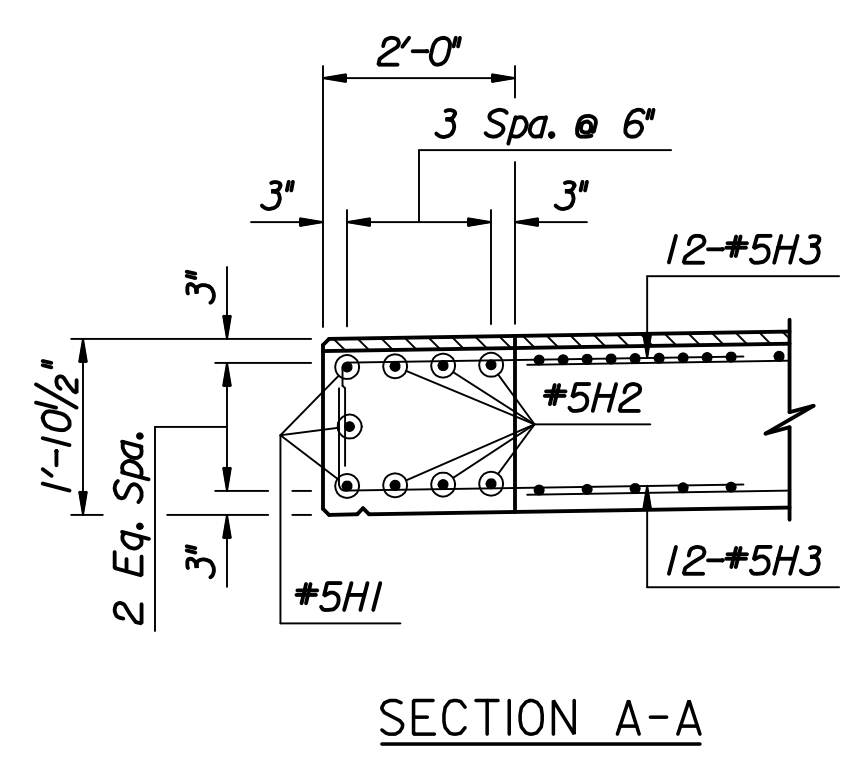
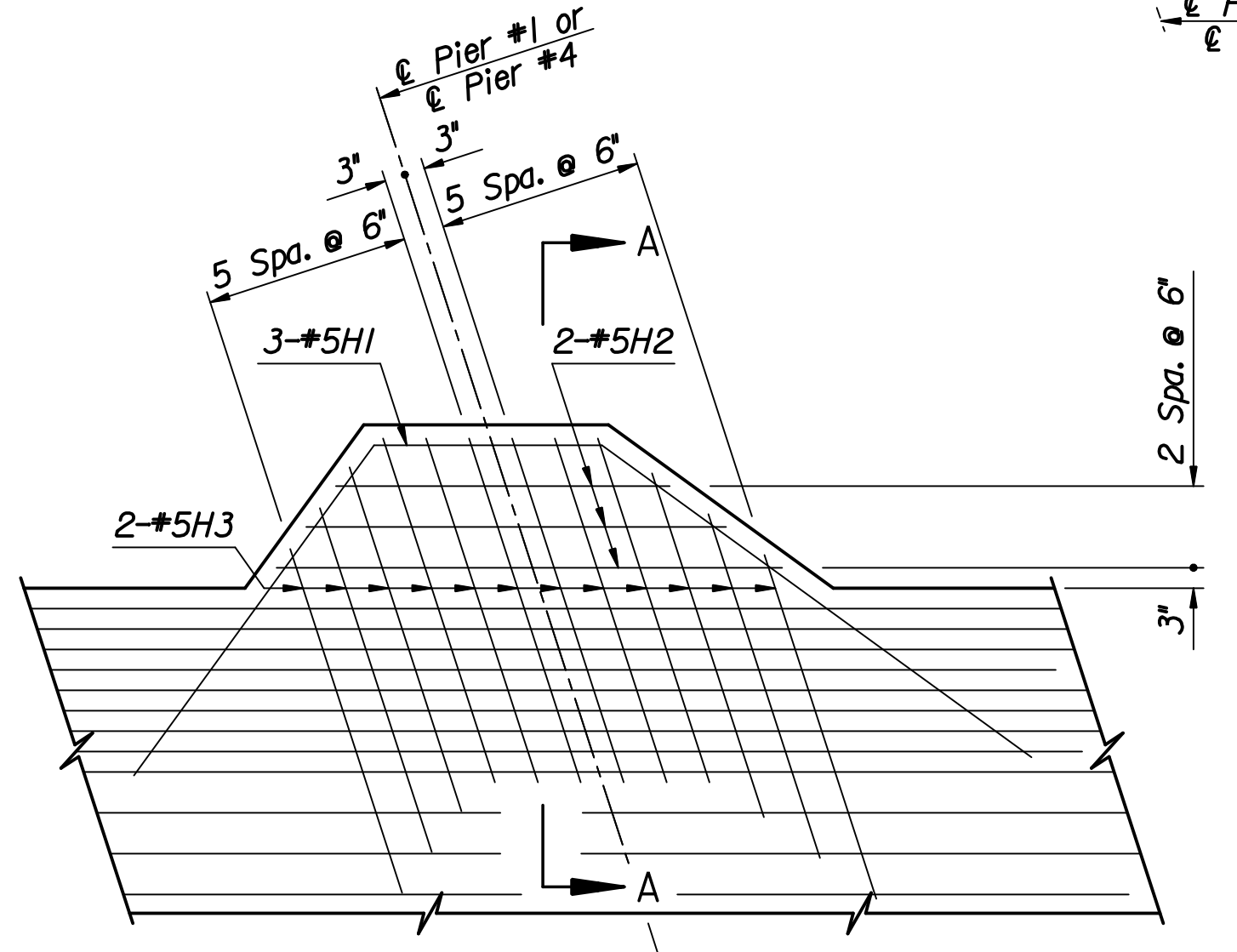


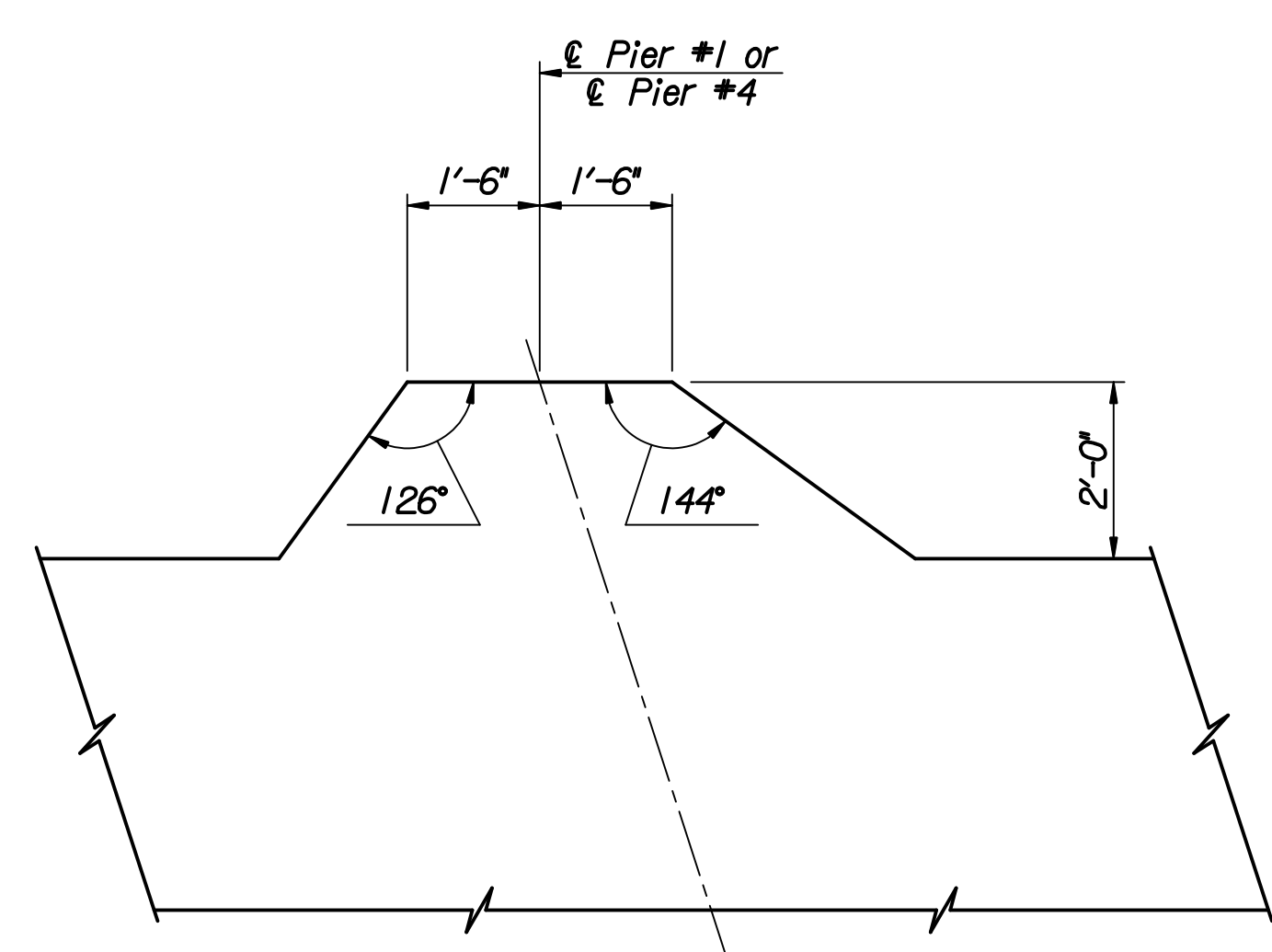
TOP SLAB PLAN  
(WIDENING)



SECTION A-A



SLAB EXTENSION PLAN  
Showing Reinforcing Steel



SLAB EXTENSION PLAN  
Dimensional Control

Existing Transverse Deck Reinforcing Steel and Spacer Frames shall remain in place unless sufficiently deteriorated. Any reinforcing steel cut or damaged by the Contractor during concrete removal shall be replaced at no additional cost to the Owner. Where non-coated bars come in contact with epoxy coated bars, they need not be coated.

No.	Revisions	By	Date
<b>CITY OF WICHITA</b> BR. NO. 530400870LAR100 STA. 69+55.00 <b>PROPOSED SUPERSTRUCTURE LAYOUT</b> <b>25TH STREET OVER LAR</b> PROJECT NO. 472-84595 SEDGWICK COUNTY			
<b>Professional Engineering Consultants, P.A.</b> 303 S. TOPKA • WICHITA, KANSAS 67202 316-262-2691 • FAX 316-262-3003			
Designed by	M.S.N.	Checked by	R.A.S.
Drawn by	M.S.N.	Date	Apr 11 2008 Job No. 06008

Plotted by : msn 9-3-2008  
 Drawn by : msn  
 1/2006/06008/1final/09\_02\_2008/06008-000-SSdetailst.opdgn