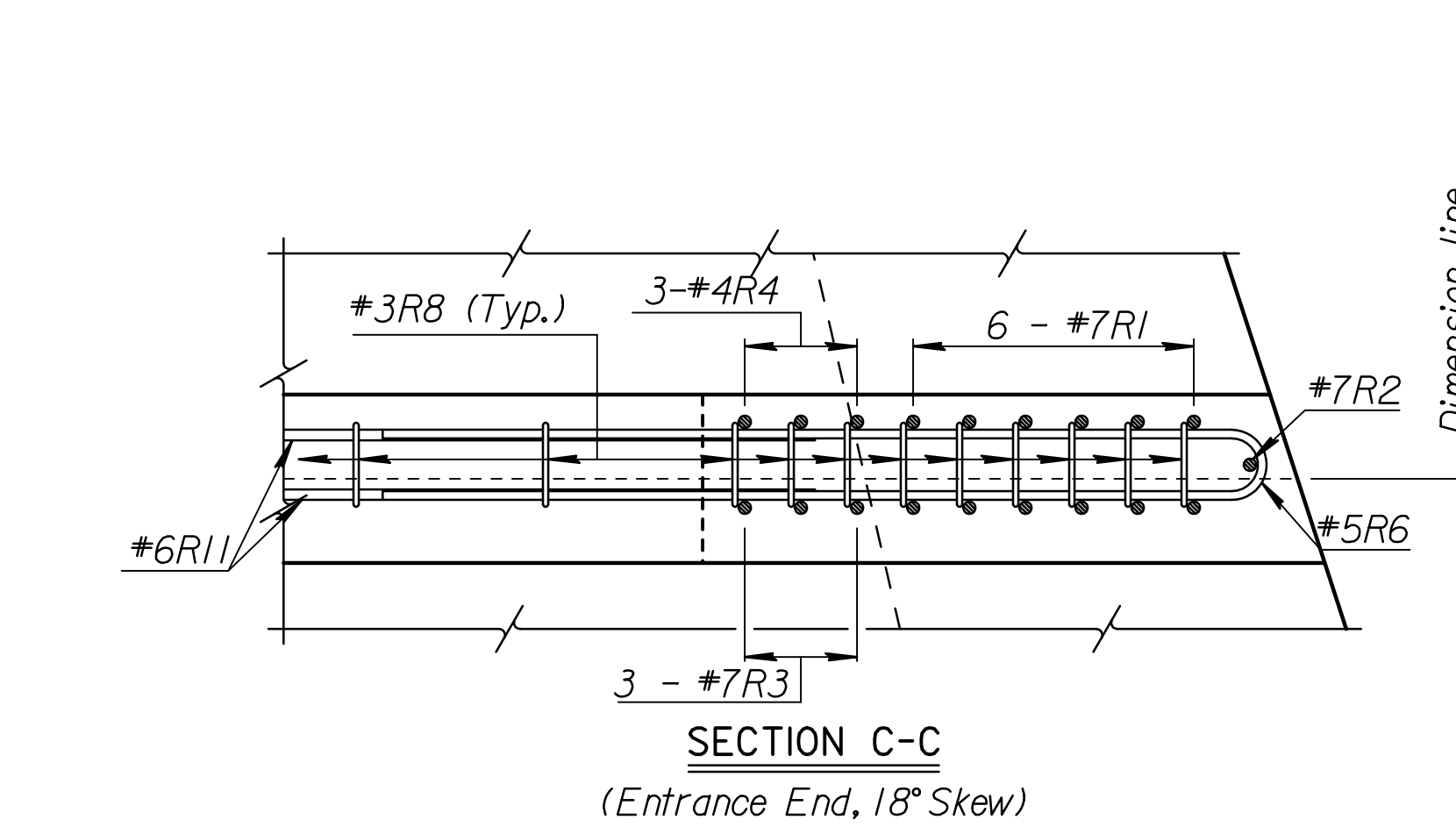
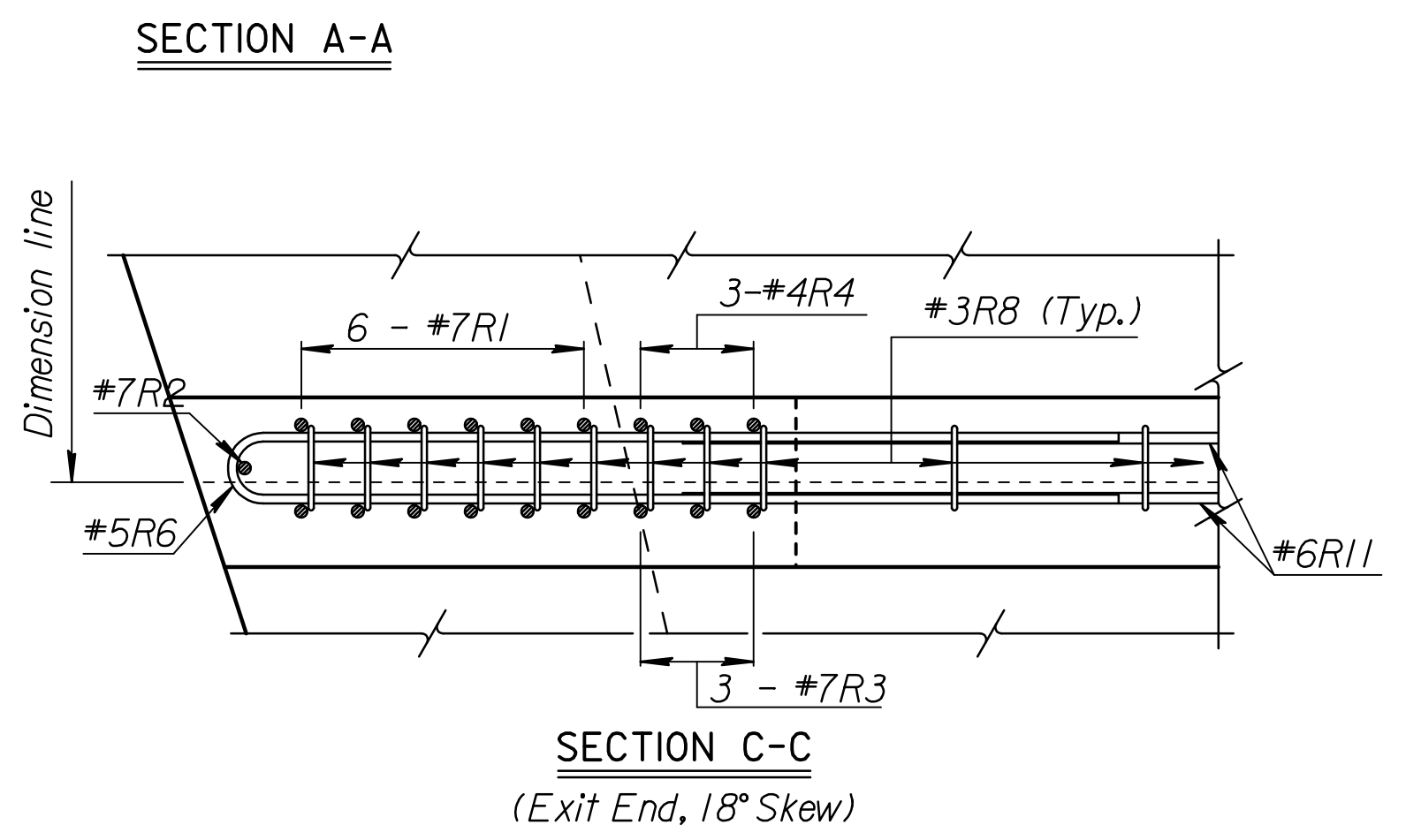
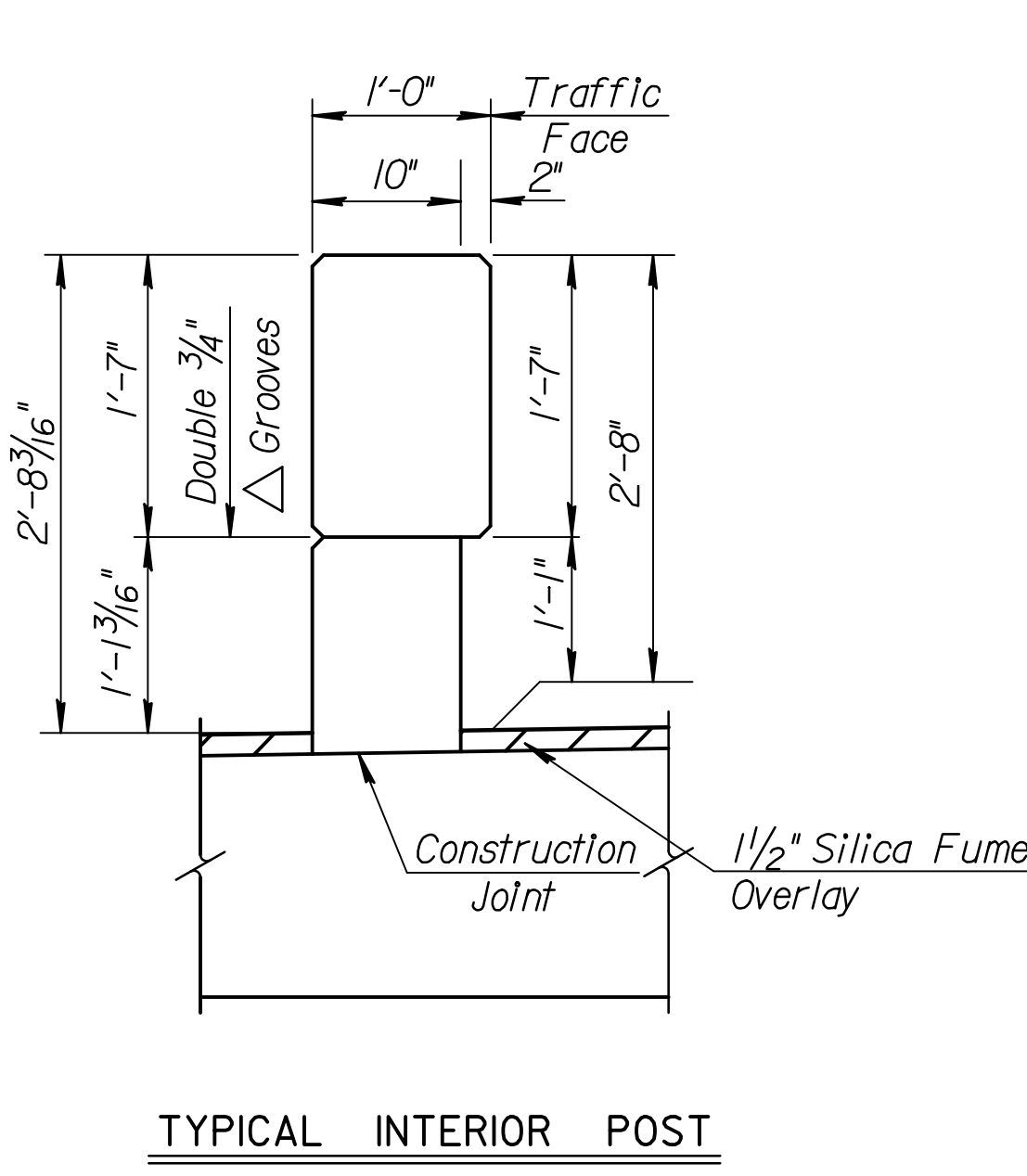
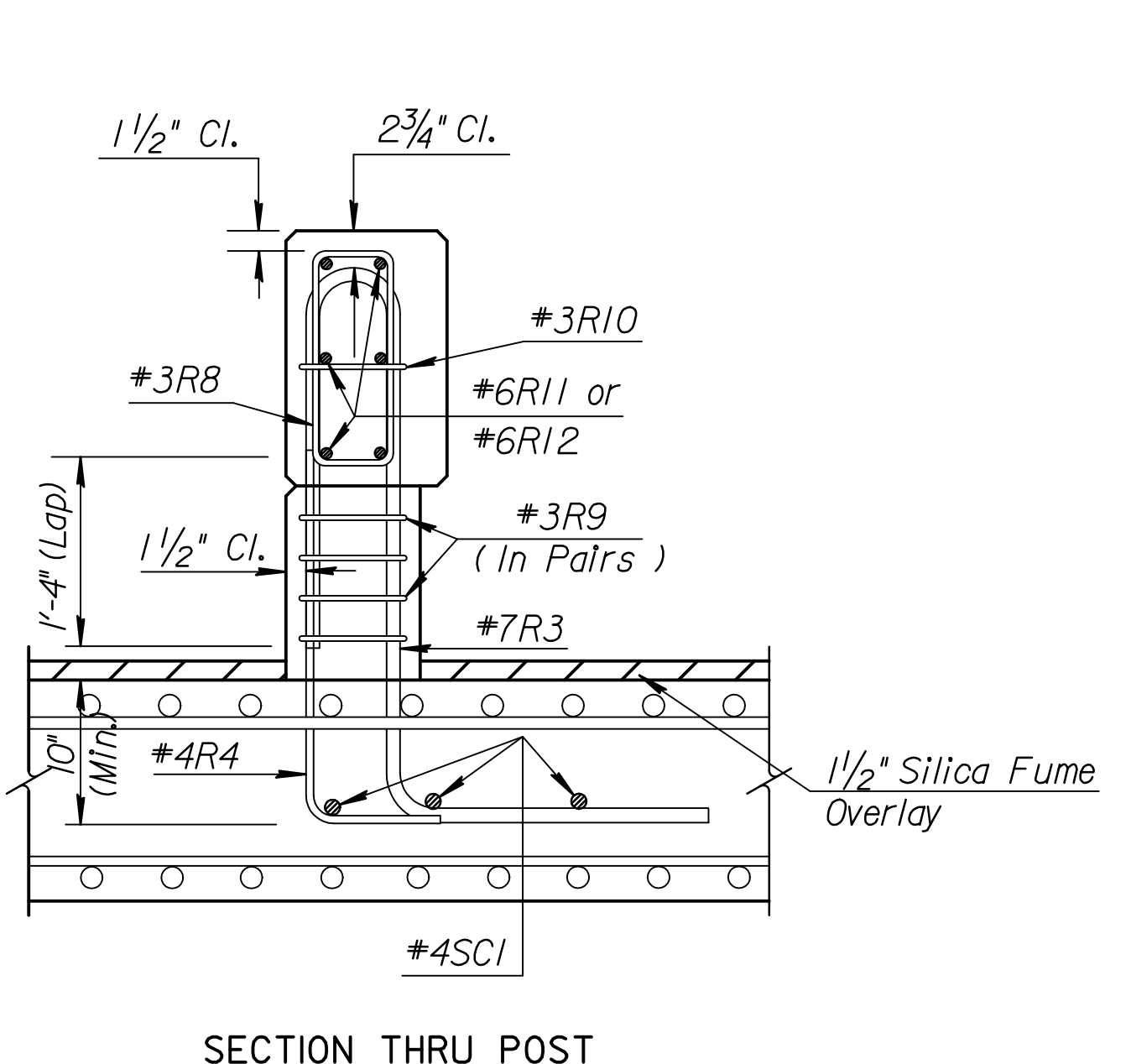
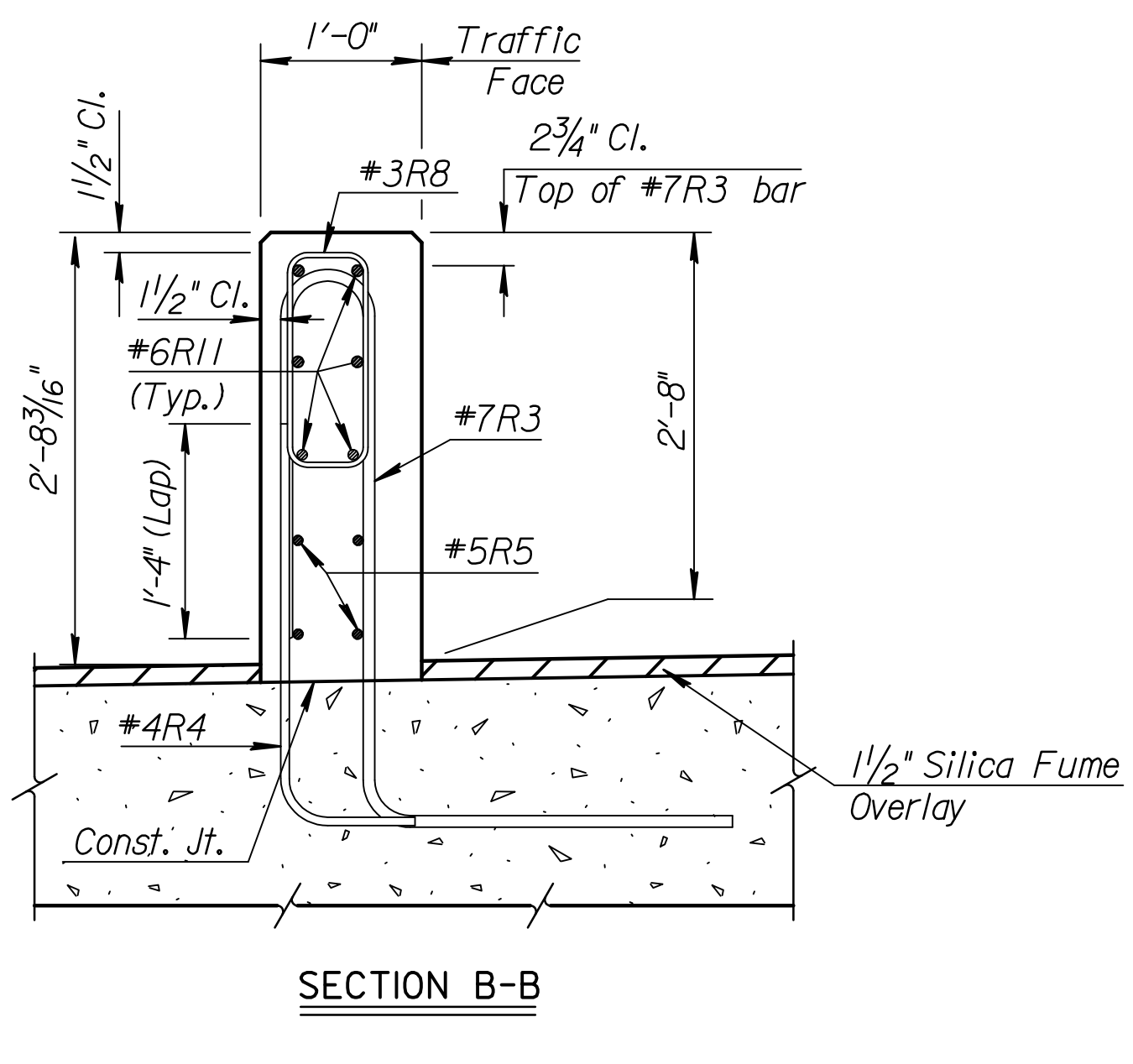
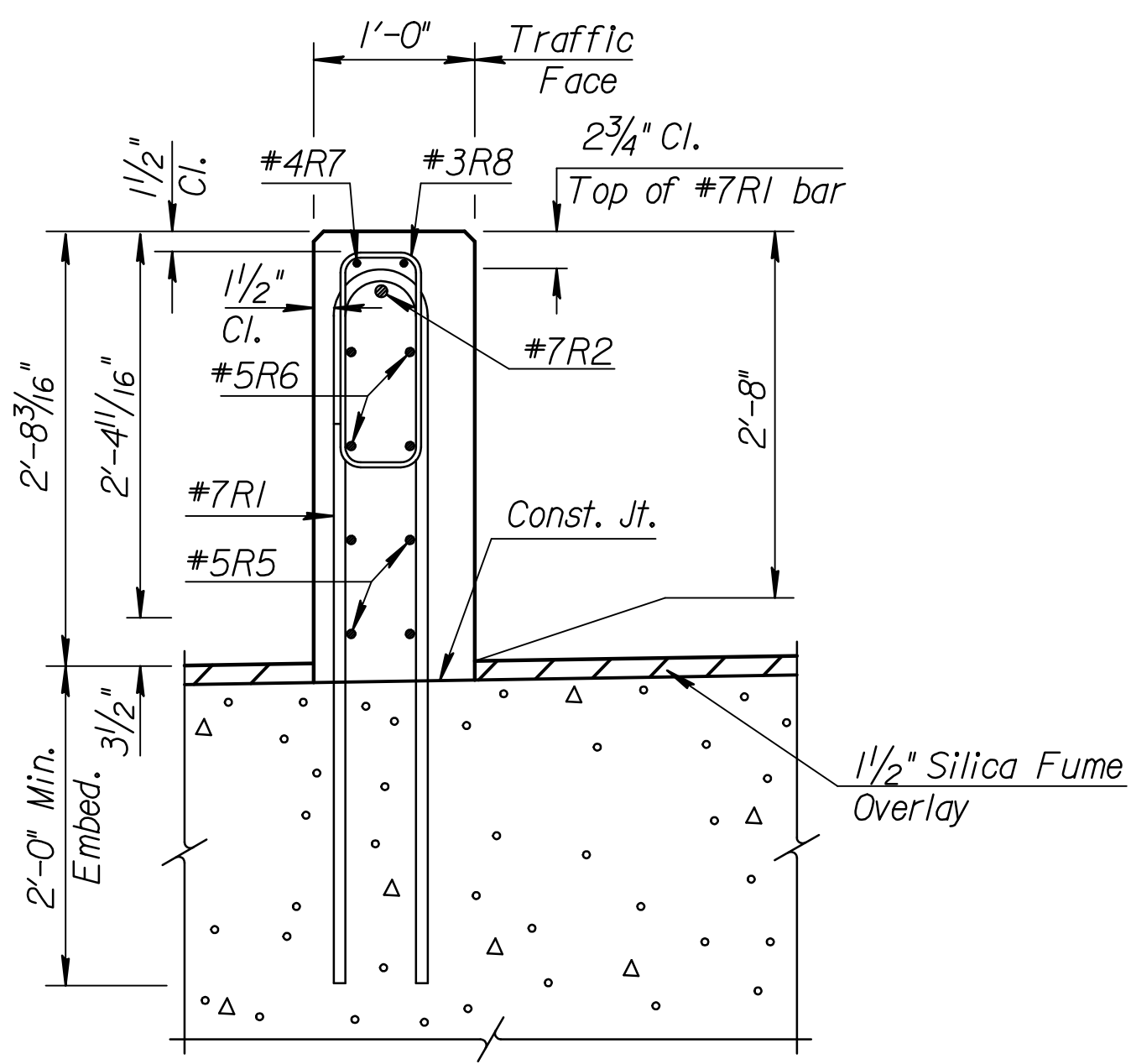
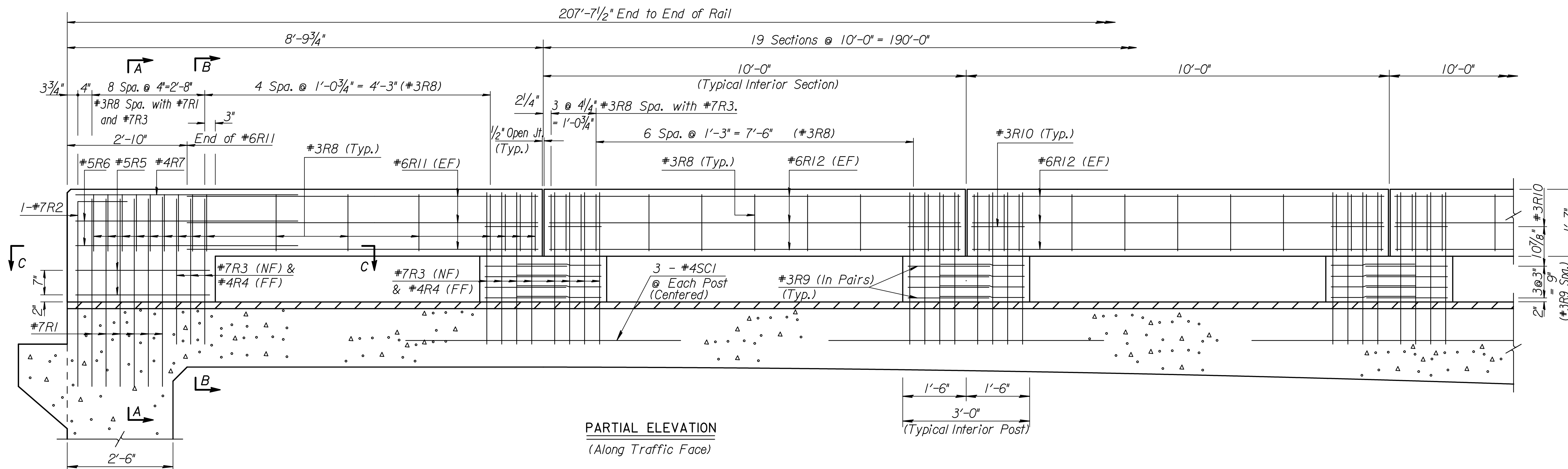


STATE	PROJECT NO.	YEAR	SHEET NO.	TOTAL SHEETS
KANSAS	472-84595	2008	23	43
KDOT PROJECT NO. 87 N-0360-01				



Std. Base File: br182a.dgn  
 Plotted By: unfiled  
 File: I:\2006\0608\7ma\N09\_02\_2008\0608-000-br182a.dgn  
 Plot Date: 9/3/2008

3				
2				
1	2-14-05	Current Release		
NO.	DATE	REVISIONS	BY	APP'D
<b>KANSAS DEPARTMENT OF TRANSPORTATION</b> Br. No. 530400870LAR100 Sta. 69+55.00 32" KANSAS CORRAL RAIL R C HAUNCHED SLAB (Without Curb) Proj. No. 472-84595 Sedgwick Co.				
SHEET NO.	OF	SCALE	APP'D	
DESIGNED	CK.	DETAILED	QUANTITIES	CADD
DESIGN	CK.	DETAIL	QUAN.	CADD