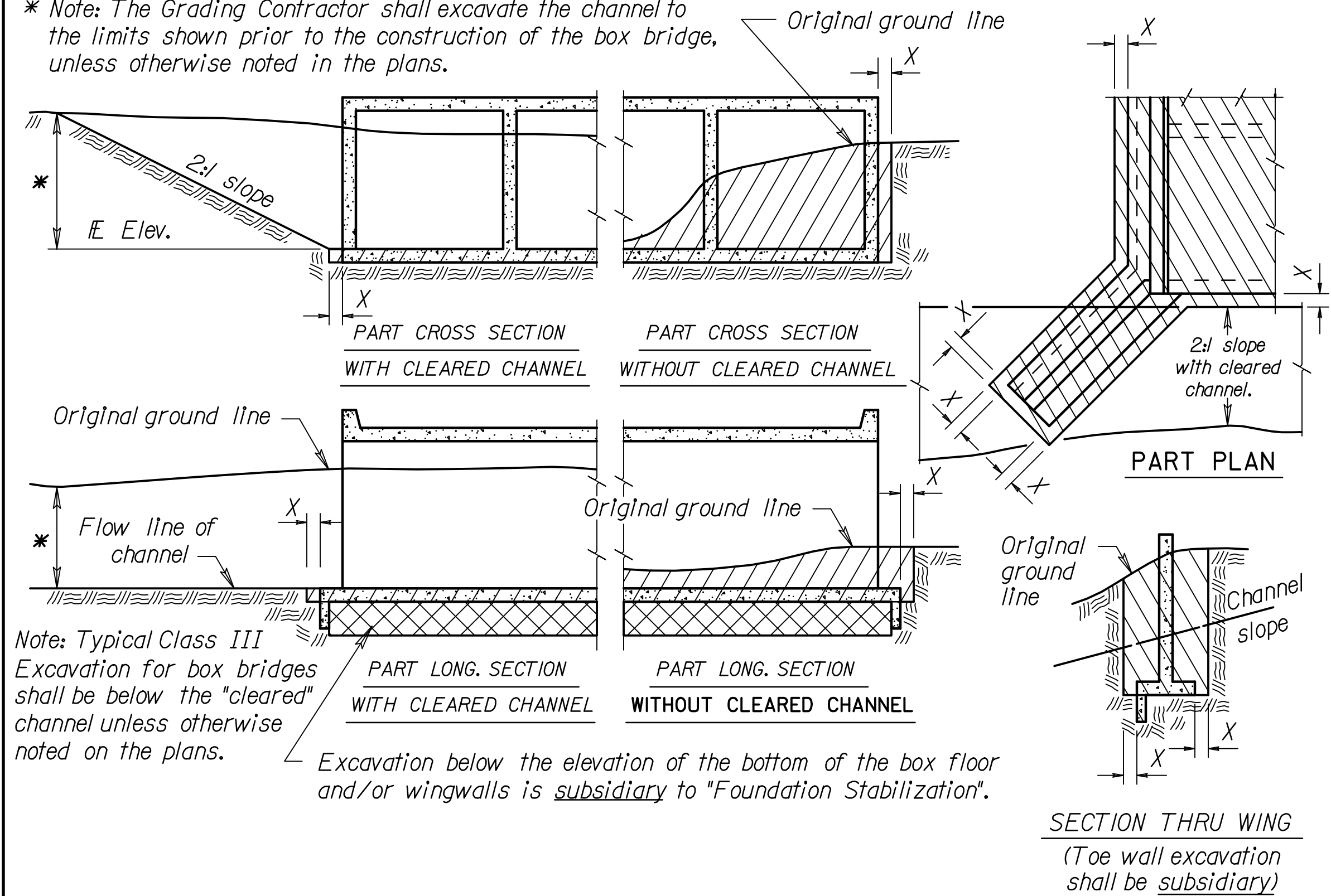


STATE	PROJECT NO.	YEAR	SHEET NO.	TOTAL SHEETS
KANSAS	472-84595	2008	27	43
KDOT PROJECT NO. 87 N-0360-01				

\* Note: The Grading Contractor shall excavate the channel to the limits shown prior to the construction of the box bridge, unless otherwise noted in the plans.

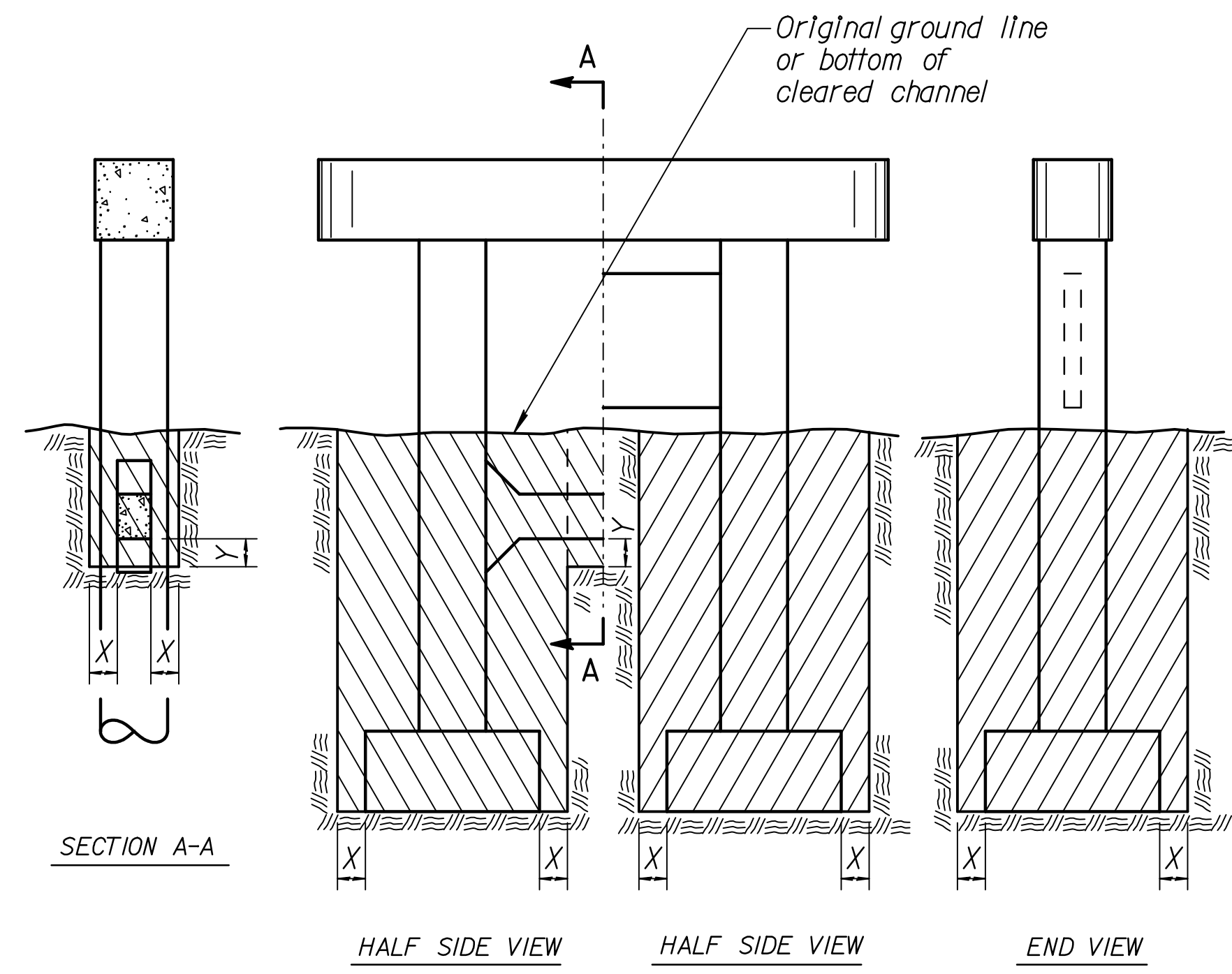


Note: Typical Class III Excavation for box bridges shall be below the "cleared" channel unless otherwise noted on the plans.

Excavation below the elevation of the bottom of the box floor and/or wingwalls is subsidiary to "Foundation Stabilization".

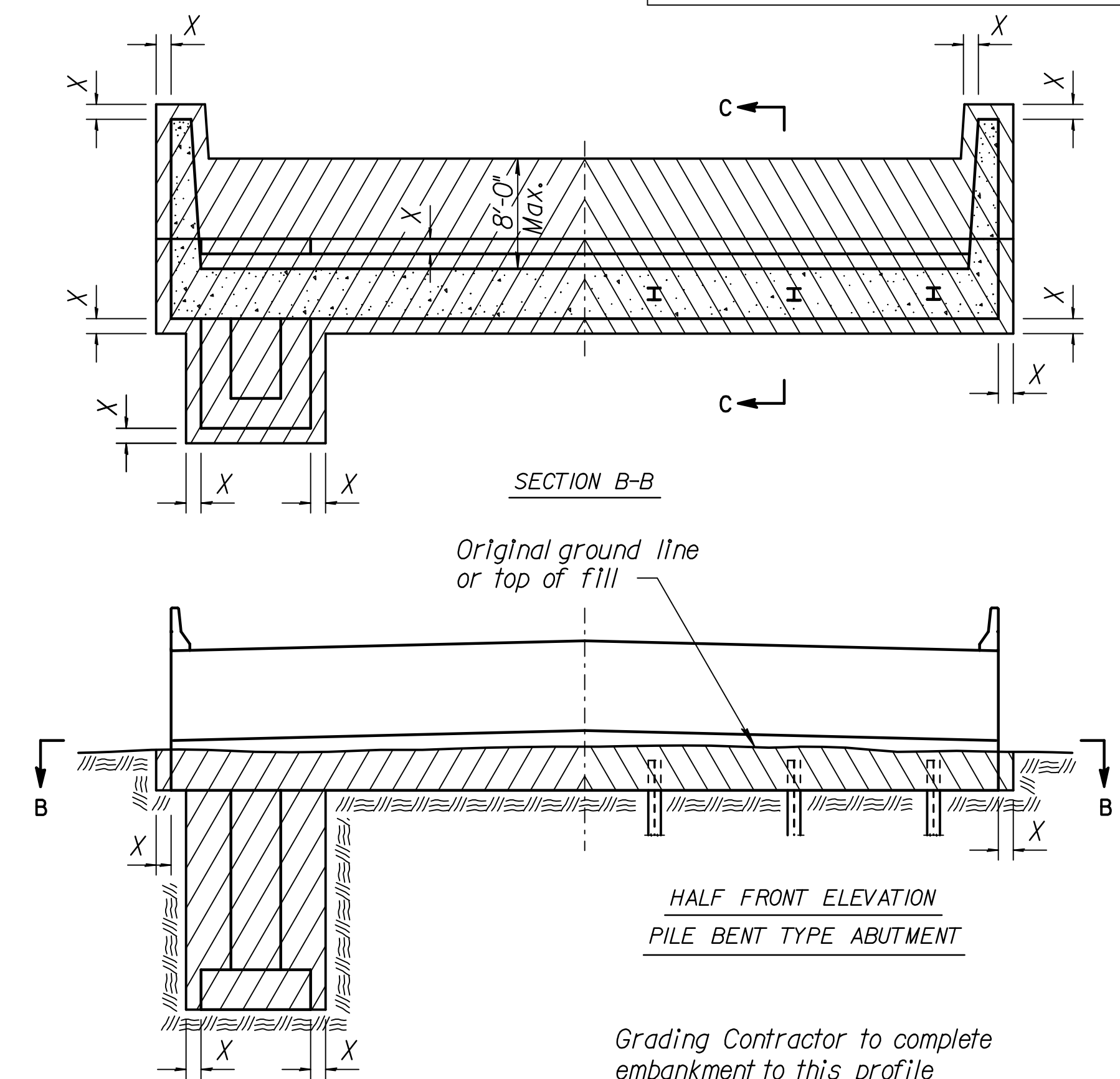
**EXCAVATION DETAILS FOR REINFORCED CONCRETE BOX CULVERT**

Note: Excavation for culverts less than bridge length shall not be paid for as Class III Excavation but shall be subsidiary to Grade 4.0 Concrete.



**EXCAVATION DETAILS FOR TYPICAL PIERS**

See detail when rock or shale (rock) is encountered.\*

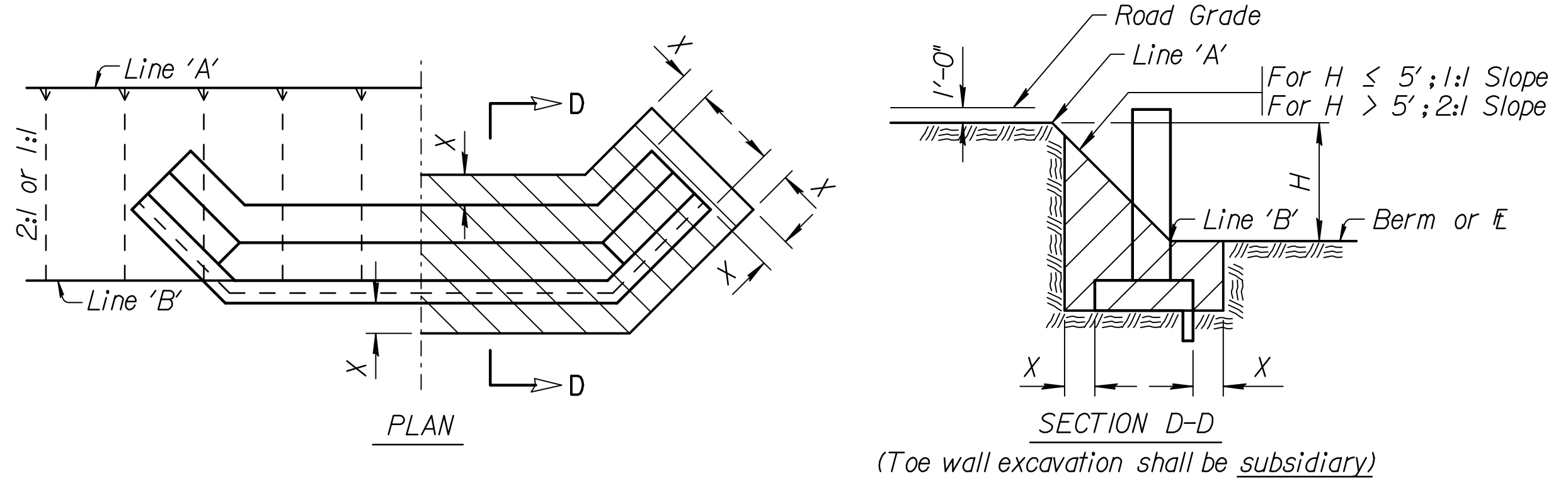


**EXCAVATION DETAILS FOR TYPICAL ABUTMENTS**

Note: Bridge Contractor shall finish the embankment and berms after the construction of the abutment and dispose of any excess material as approved by the Engineer.

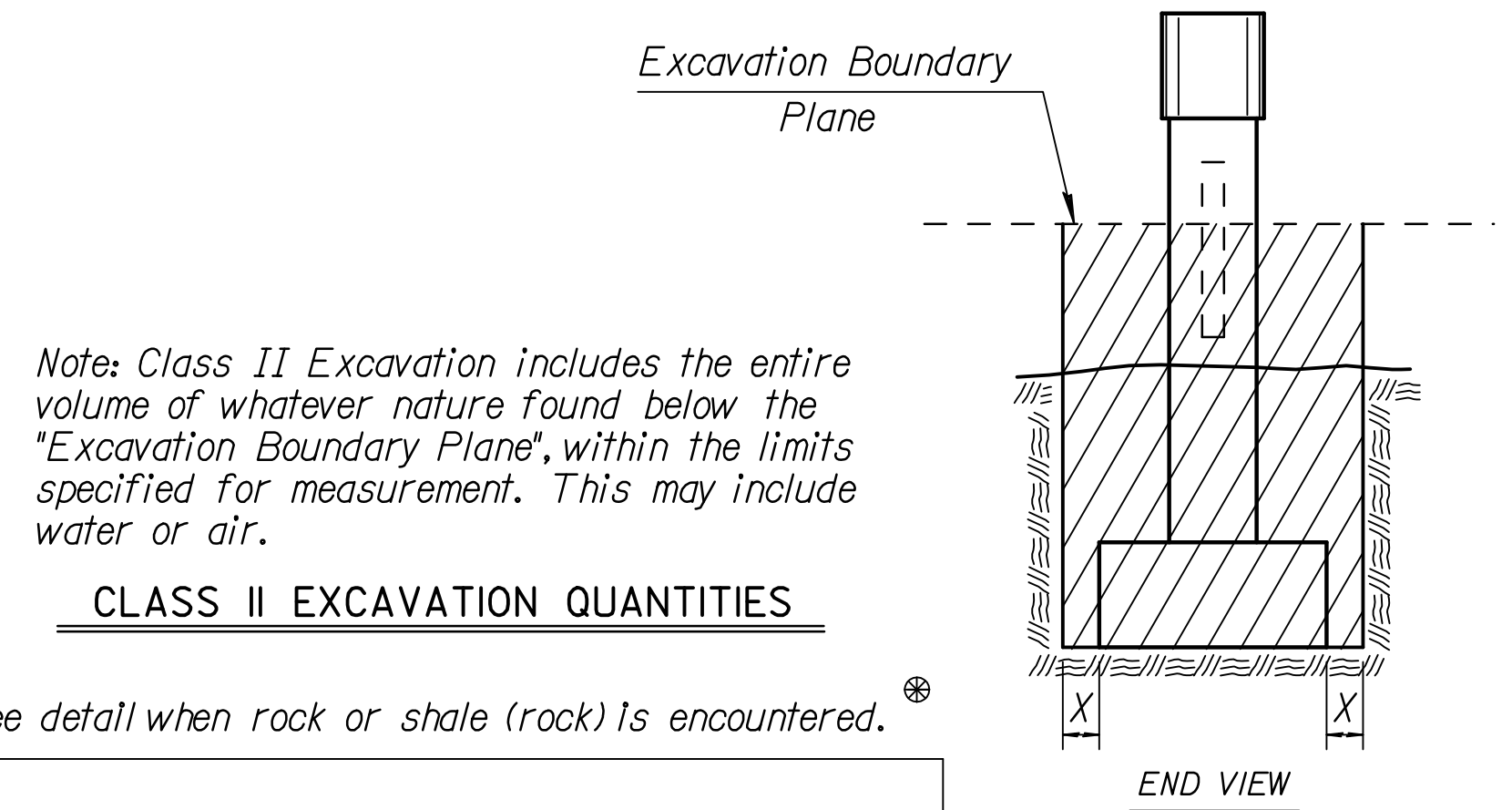
Grading Contractor to complete embankment to this profile prior to construction of the abutment. No excavation beyond this line. Road grade. For H ≤ 5'; 1:1 Slope. For H > 5'; 2:1 Slope. 8'-0" Max. Berm Elev. Limits of Pay Excavation-Bridge. Note: Any sheeting required shall be subsidiary to the bid item for Excavation.

See detail when rock or shale (rock) is encountered.\*



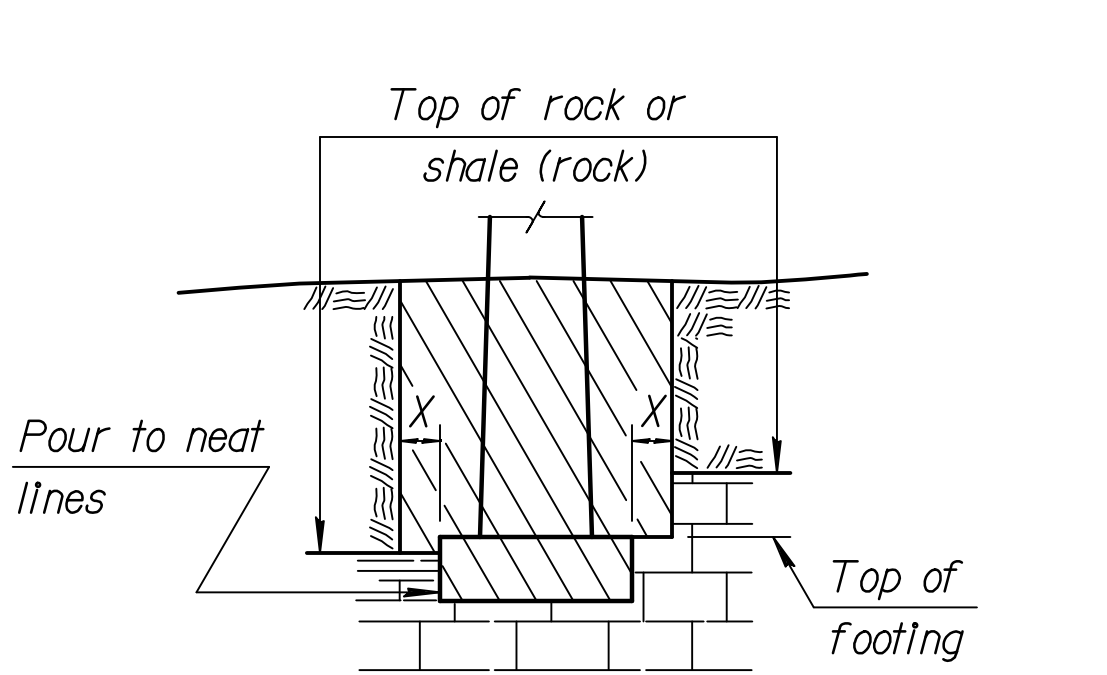
**EXCAVATION DETAILS FOR ABUTMENTS WITH FLARED WINGWALLS**

(Toe wall excavation shall be subsidiary)



**CLASS II EXCAVATION QUANTITIES**

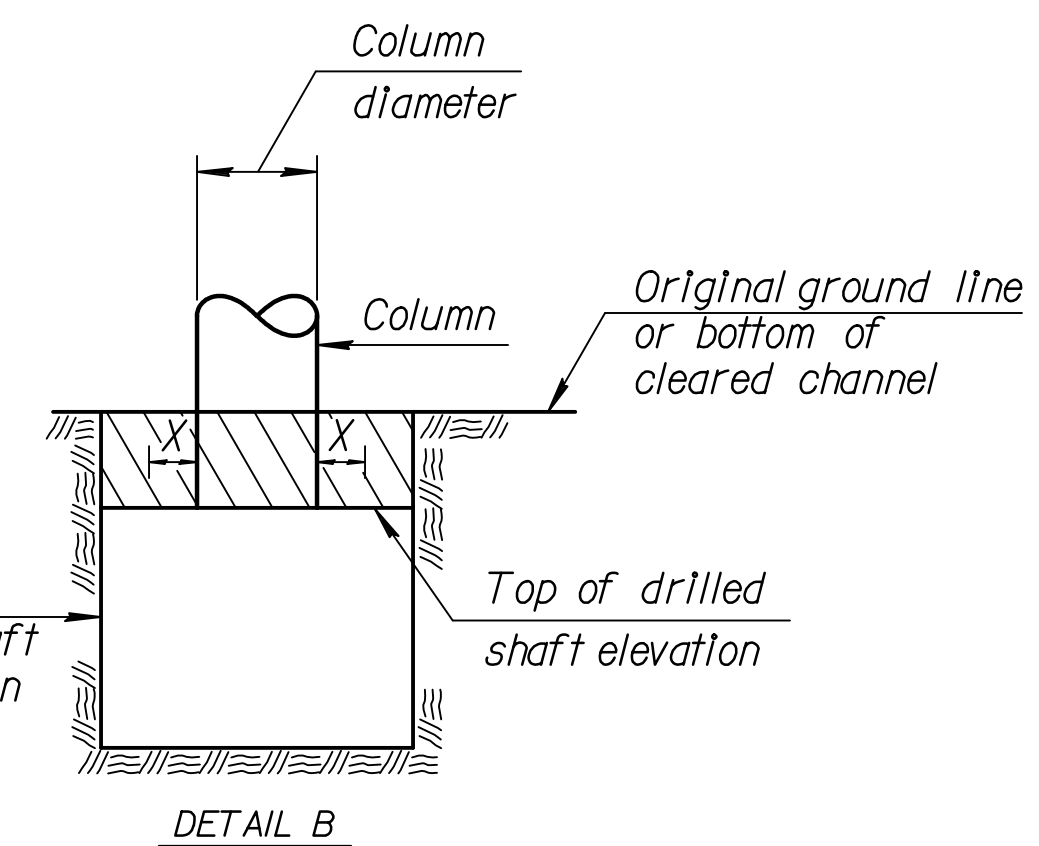
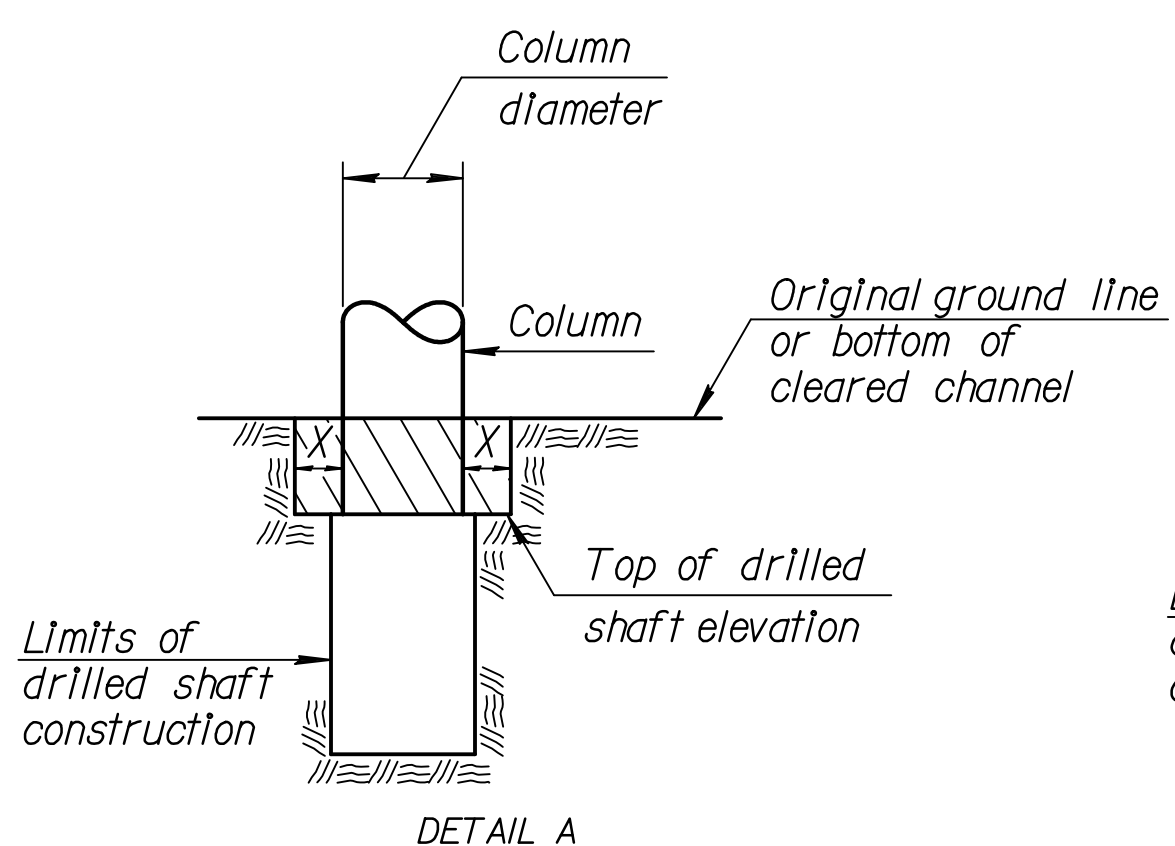
See detail when rock or shale (rock) is encountered.\*



**EXCAVATION DETAIL FOR FOOTINGS IN ROCK OR SHALE (ROCK)**

(Piers and Abutments)

Note: Excavation below top of rock, hard shale or below top of footing, whichever is lower, shall be to neat lines of the concrete construction.



**DRILLED SHAFT DETAILS**

Note: Whenever the limits of the drilled shaft construction are greater than the Column Diameter + 2X, the limits of Class I, II or III Excavation shall be the limits of the drilled shaft construction. (See Detail B)

Note: All bridge excavation shall be computed on the basis of the cross-hatch areas and boundary lines indicated on this sheet and the Excavation Boundary Plane on the Construction Layout. Sides of trenches in hard or compacted soil including embankments shall be shored, sheeted, braced or otherwise supported when the trench is more than 5 feet in depth and 8 feet or more in length. In lieu of the shoring, the sides of the trench above the 5 foot level may be sloped to preclude collapse. The slope for average soils shall be 1:1. If the angle of repose of the soil is less, flatter slopes shall be required.

Dimension "X" shall be 2'-0" unless indicated otherwise on the general plans. Dimension "Y" shall be 1'-6" unless indicated otherwise on the general plans.

NO.	DATE	REVISIONS	BY	APP'D
8	10-16-06	Revised "Foundation Stab." Note	JPJ	KFH
7	10-19-04	Concrete - Class to Grade	RAM	KFH
6	4-10-02	Added "Foundation Stab." Note	RAM	KFH
5	8-12-95	Correct Section BB at abutment	LRR	KFH
4	1-30-95	Drilled Shaft Excavation	LRR	KFH
3	7-26-94	Change limits at abutment	LRR	KFH
2	1-26-93	Add Class 2 & Flared Wing det.	LRR	KFH
1	4-6-90	Change limits at abutments	LRR	KFH

**KANSAS DEPARTMENT OF TRANSPORTATION**

**BRIDGE EXCAVATION**

DESIGNED	APP'D	DESIGNED	APP'D
DETAIL CK.	DETAIL CK.	DETAIL CK.	DETAIL CK.

Std. Base File: br100.dgn  
 Plotted By: unfiled  
 File: A:\2006\0608\7\m\09\_02\_2008\06008-000-Br100(V8).dgn  
 Plot Date: 9/3/2008