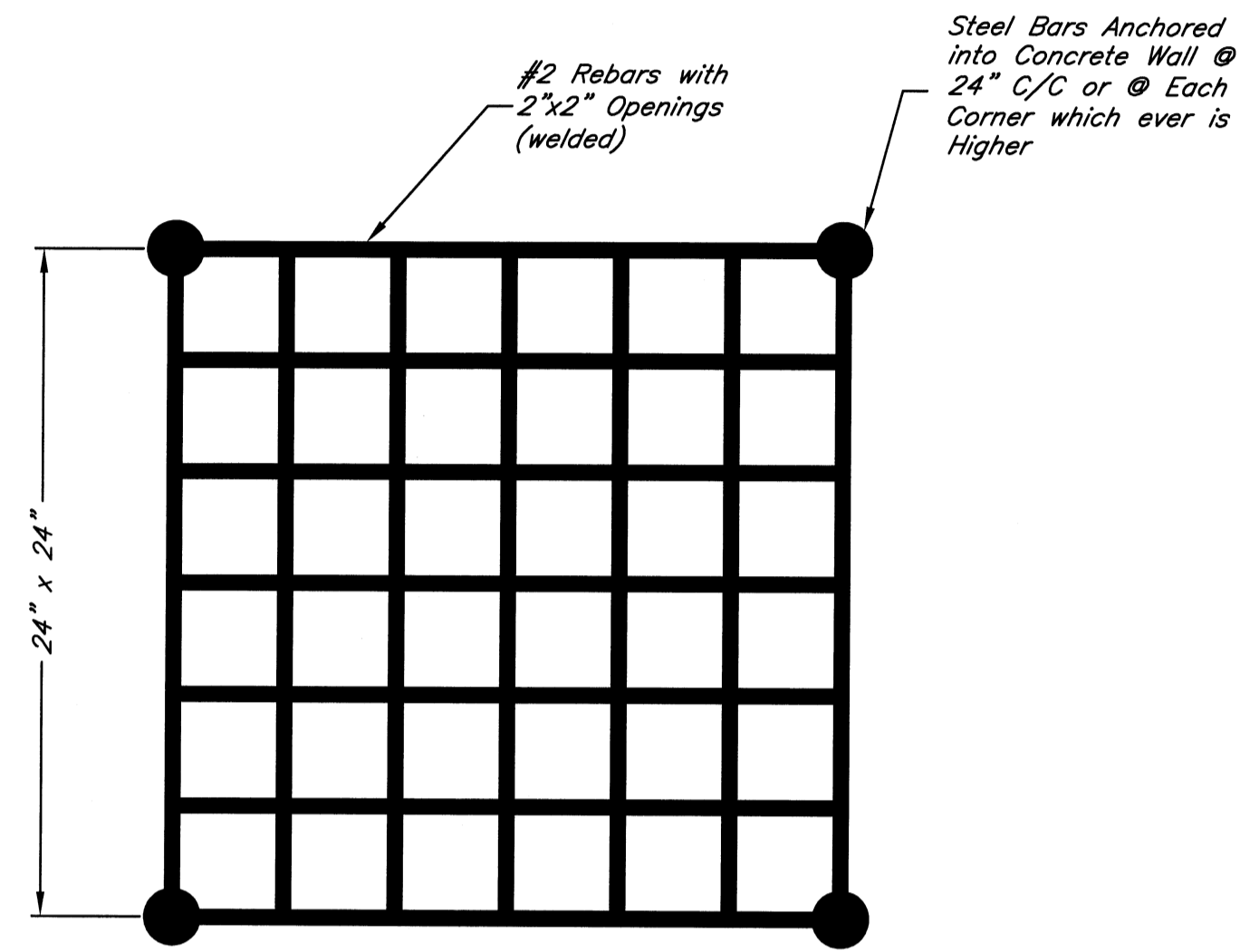


Special Manhole Structure
NOT TO SCALE

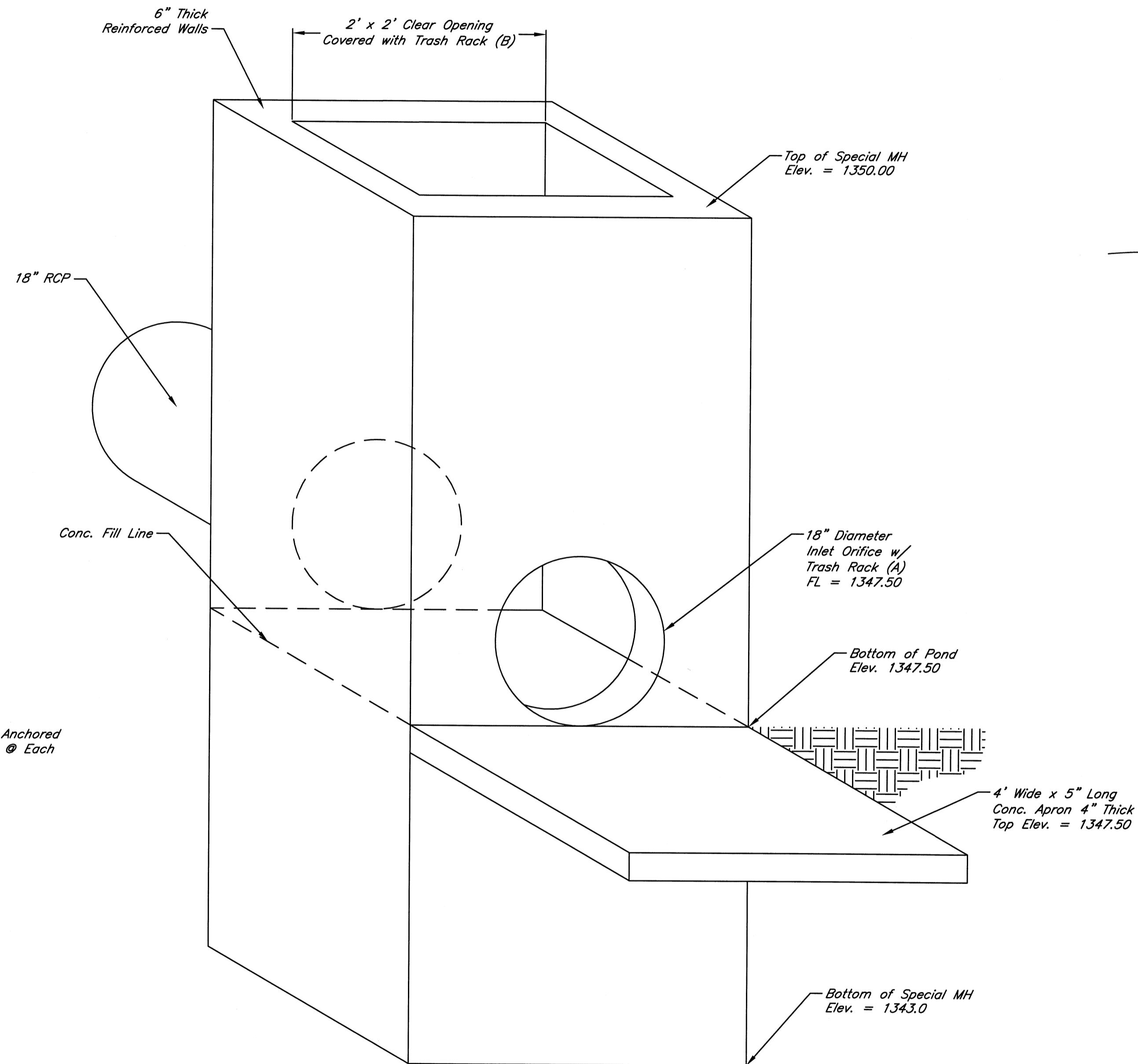
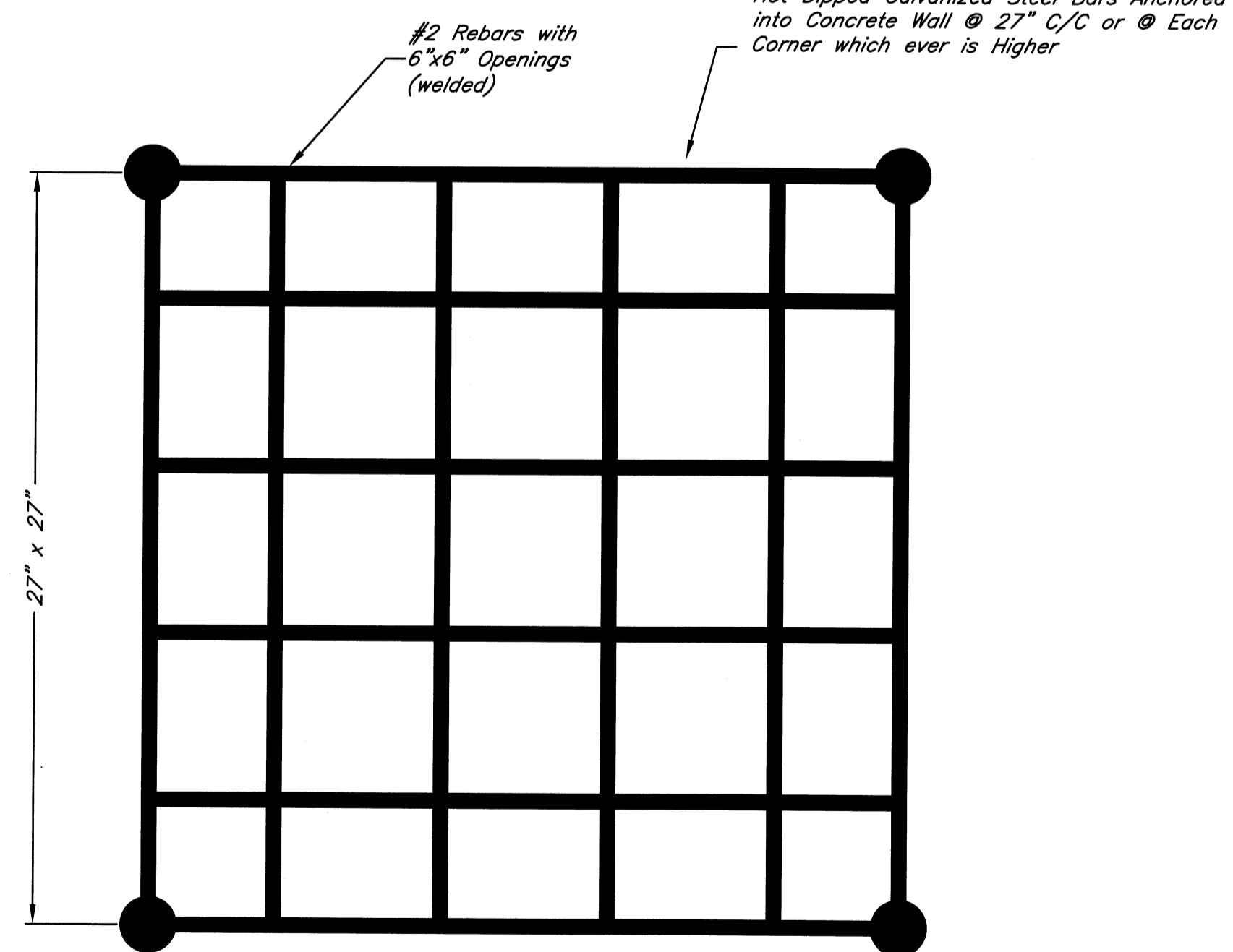
Trash Rack Screen (A)

NOT TO SCALE

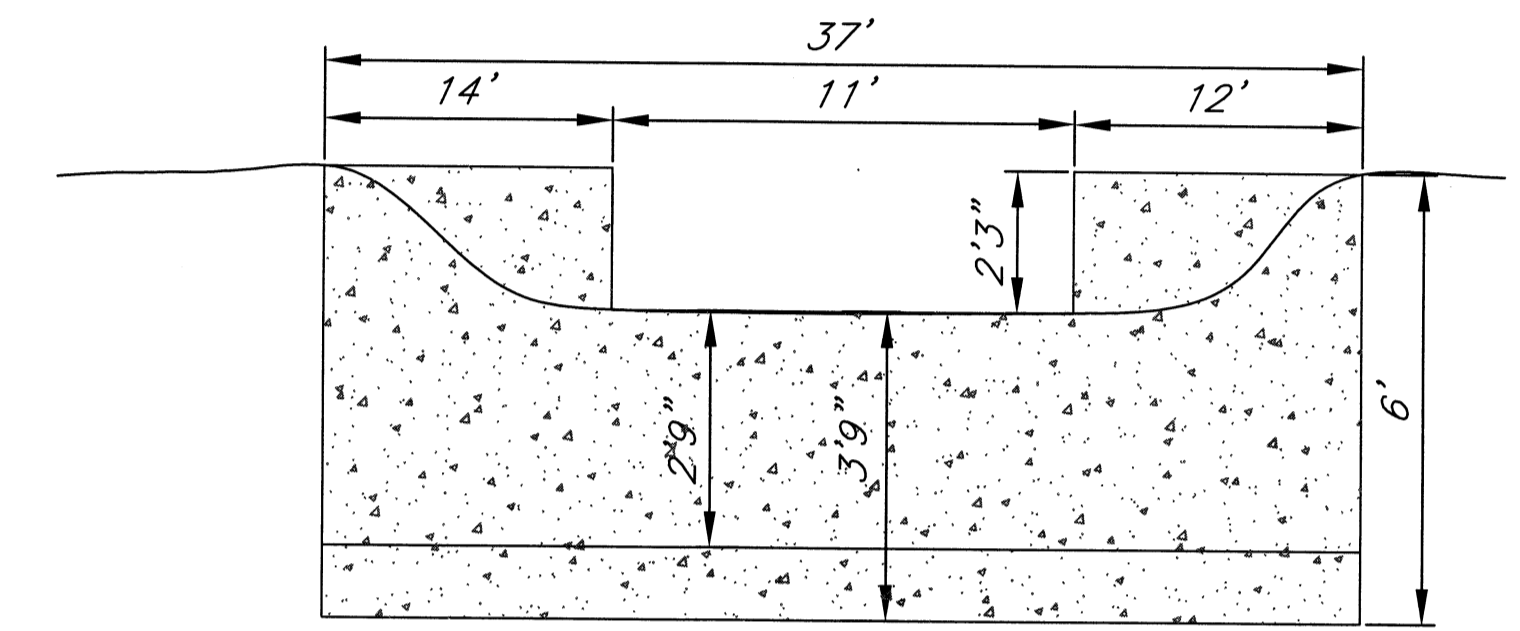


Trash Rack Screen (B)

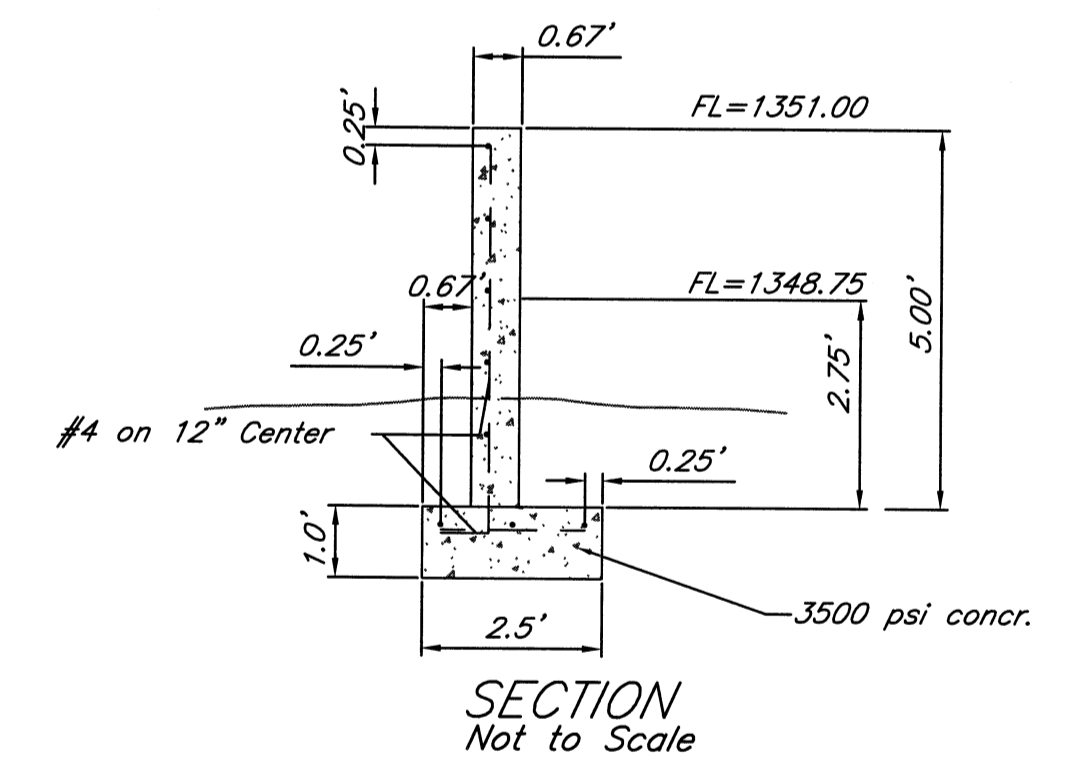
NOT TO SCALE



Concrete Weir Structure
NOT TO SCALE



ELEVATION
Not to Scale



SECTION
Not to Scale

Maize School South Campus Addition
Special Manhole / Weir Detail
Wichita, Kansas



PROJECT NUMBER			
KEM NO. 07081	FILE pps	DATE 1/2008	SHEET 8
DESIGN KM	DRAWN NS	REVISED	OF 13