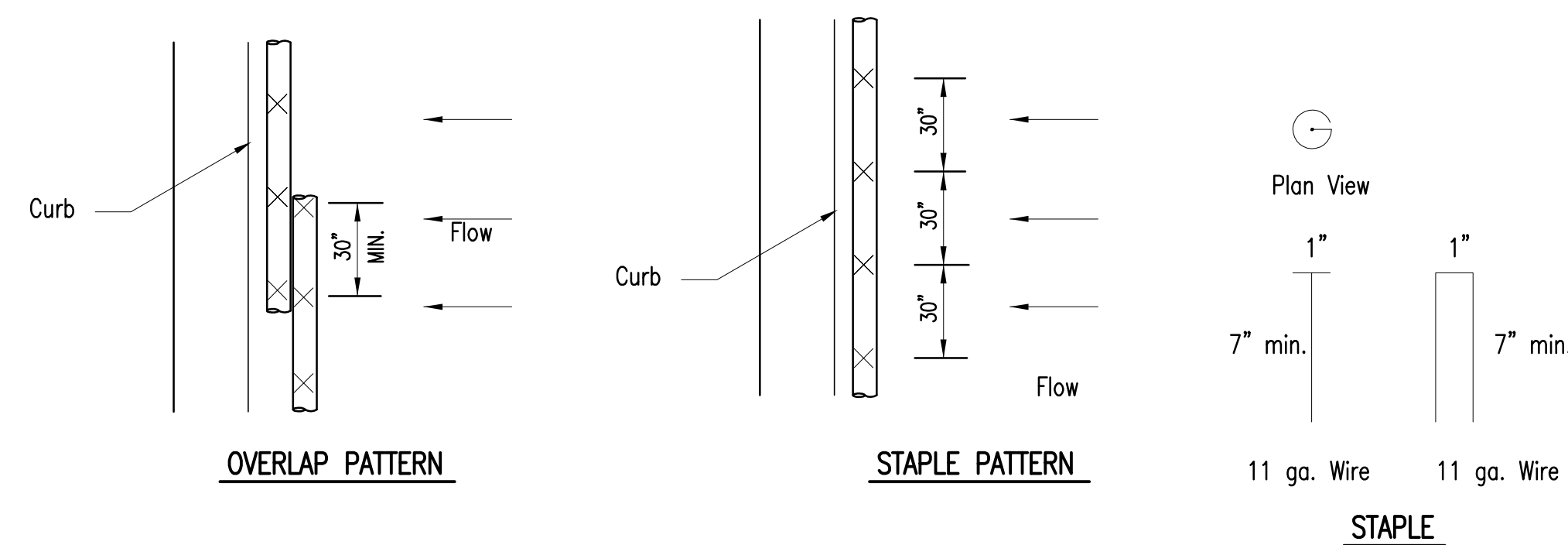


Install Sediment Log/Roll or Sod on prepared surface at back of curb. (See details)

- NOTES:
- EXCELSIOR LOG/ROLL TO BE INSTALLED WHEN SOD IS NOT SPECIFIED ON PROJECT.
 - AFTER INSTALLATION OF LOG/ROLL, AT LOCATIONS WHERE CONCENTRATED FLOW CARRIES SEDIMENT OVER THE CURB AND INTO THE GUTTER, SUPPLEMENTAL EROSION CONTROL DEVICES WILL BE INSTALLED BY THE CONTRACTOR AS NEEDED, TO FIX THE PROBLEM.

- NOTES:
- Barriers must be placed back of curb along street and up the driveway sufficiently to catch all sediment from the yard.
 - Anchor to ground every 30" with a 7" min. long staple.
 - Remove accumulated sediment when within 2 inches of top of device.
 - Replace/repair all broken/damaged sediment logs/rolls to maintain effectiveness of device.
 - Sediment logs/rolls can be driven over for access to the site. They need to be picked up and put back down after they have been compacted by any traffic to maintain effectiveness of BMP. Replace as needed per original design.

BACK OF CURB PROTECTION DETAIL



DETAILS FOR SEDIMENT LOG/ROLL

SEDIMENT LOG BARRIERS

NOTES:
FOLDED Excelsior matting will not be accepted.



SOIL EROSION BMPs	
BACK OF CURB SEDIMENT BARRIER DETAILS	
Designed By: J. Dickman Storm Water Engineer	
PROJECT NUMBER 448-90377	OCA NO. 735422
DATE OCT 2008	SHEET 10 OF 16

FINAL

Drawn By: M. Tucker
P.Oe. Job No.: 1916A
Date: October 2008

POE & ASSOCIATES, INC.
CONSULTING ENGINEERS
5940 E. Central, Suite 200 ■ Wichita, KS 67208-4242
Phone 316/685-4114 ■ FAX 316/685-4444

HIGH POINT WEST ADDITION
WATER DISTRIBUTION SYSTEM IMPROVEMENTS
EROSION CONTROL BMPs
CITY OF WICHITA, KANSAS
JAMES L. ARMOUR, P.E. - CITY ENGINEER
C.O.W. Proj. No. 448-90377 OCA No. 735422

No.	Date	By	Approved	Revision