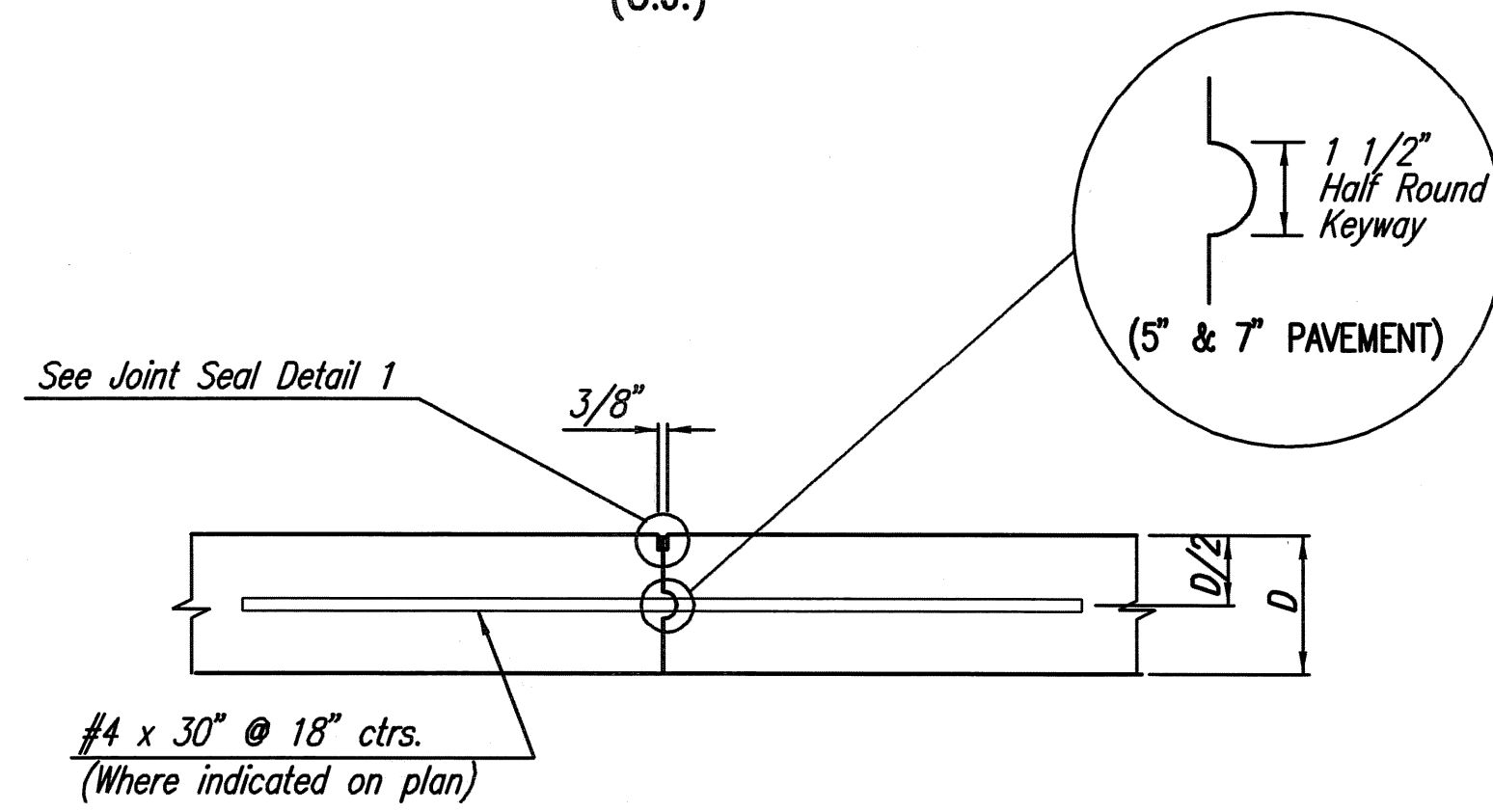
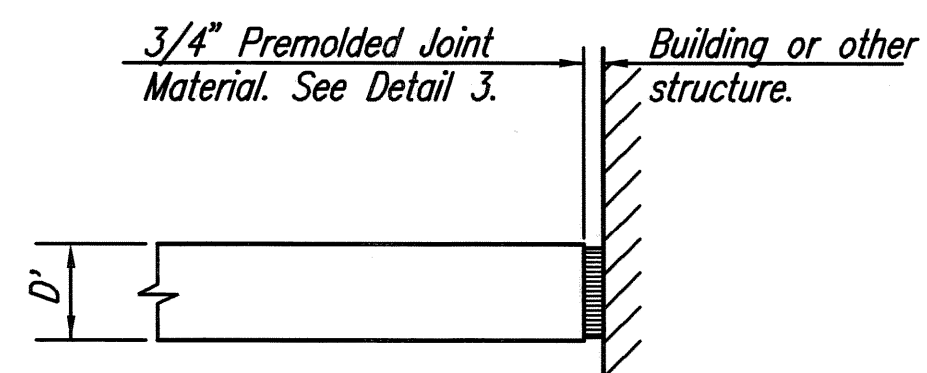


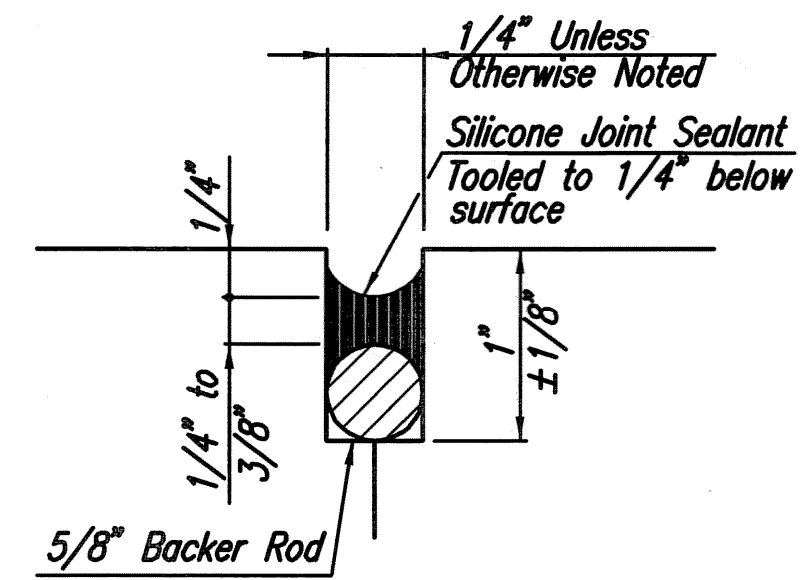
**CONTRACTION JOINT  
(C.J.)**



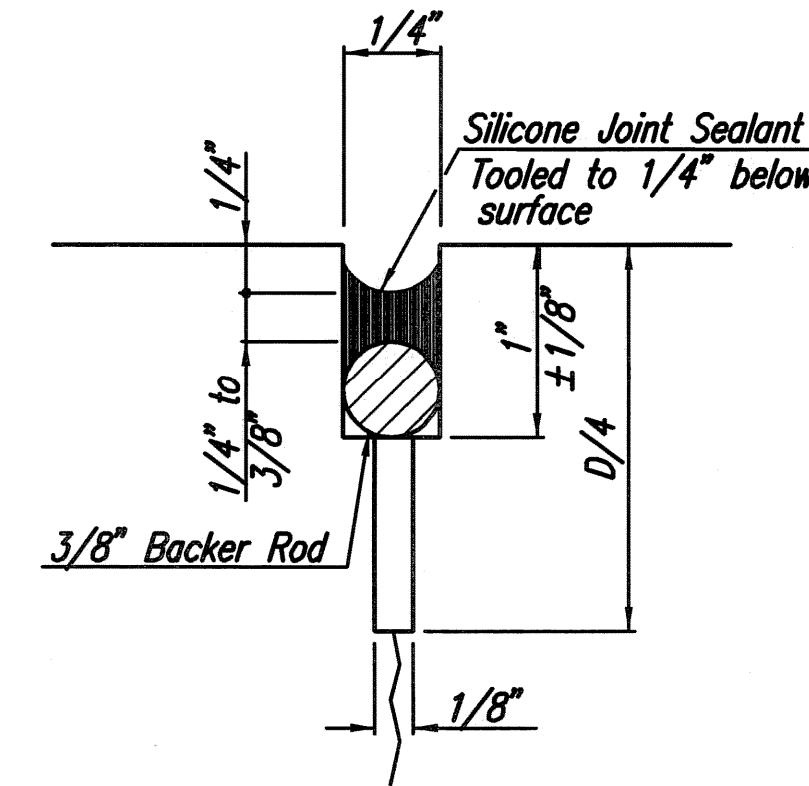
**LONGITUDINAL & CONSTRUCTION JOINT  
(L.J. & C.J.)**



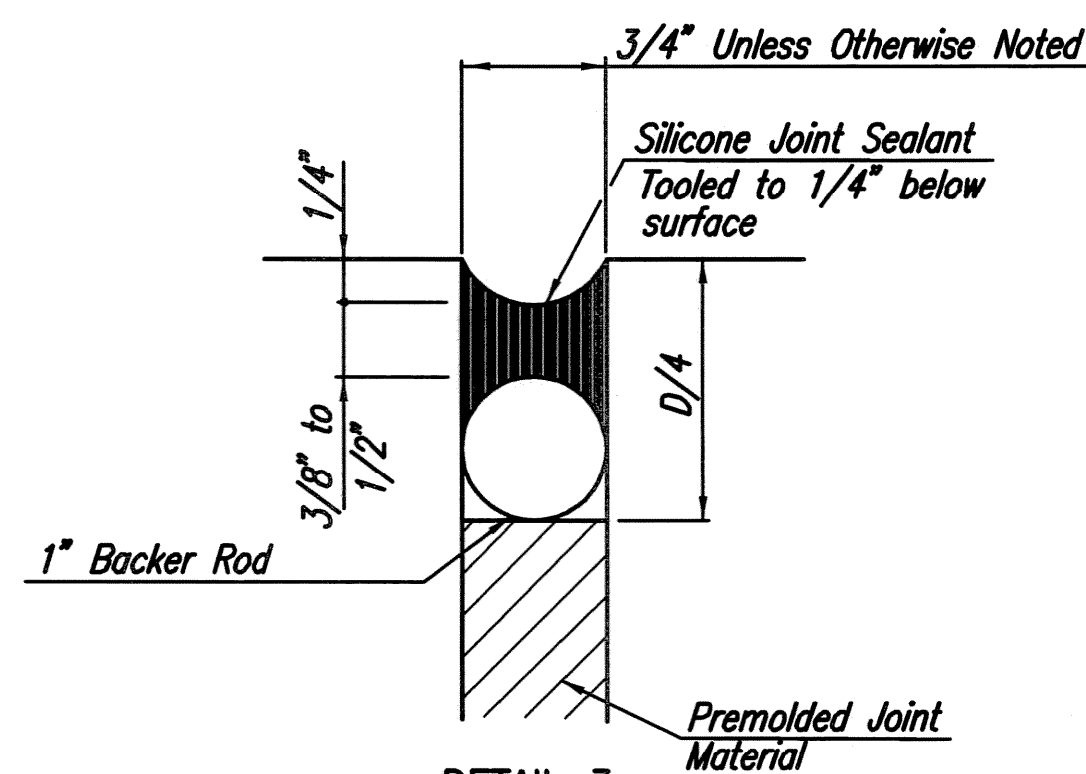
**TYPE B**



**DETAIL 1**

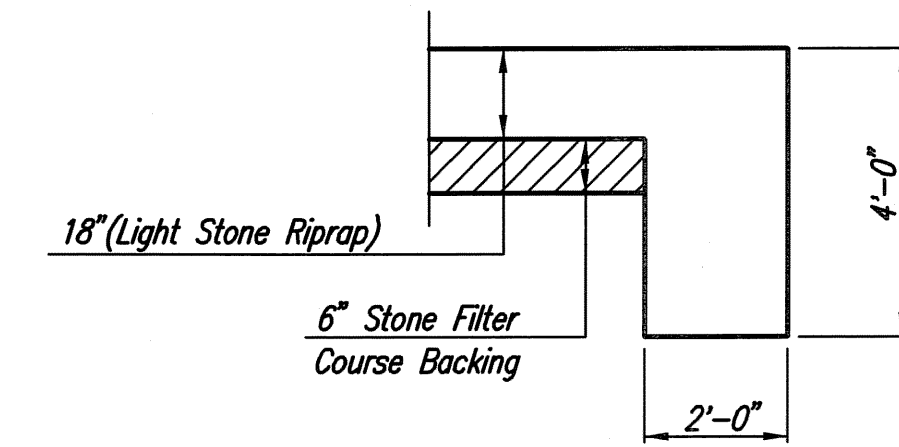


**DETAIL 2  
DOUBLE SAWCUT METHOD**



**DETAIL 3**

**JOINT SEAL DETAILS**



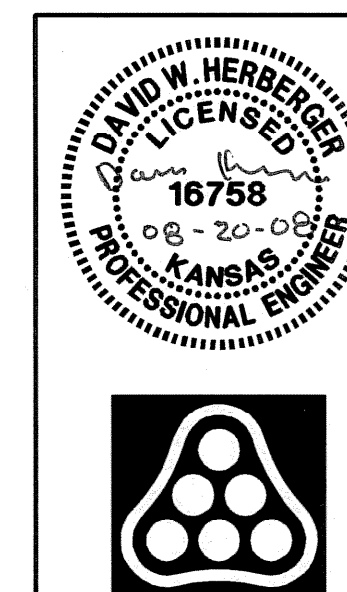
**TYPICAL SECTION THRU TOEWALL**

NO SCALE

NOTES

1. ALL RIPRAP FOR THIS PROJECT SHALL BE NATURAL STONE. NEITHER BROKEN CONCRETE, FABRIC ENVELOPE, NOR PREMIXED DRY PACKAGED CONCRETE BAG ALTERNATES WILL BE ALLOWED.
2. TOEWALLS SHALL BE INSTALLED ALONG ALL EDGES OF STONE RIPRAP OR AS SHOWN ON PLANS.
3. GROUTING OF THE SURFACE OF THE RIPRAP SHALL NOT BE PERFORMED. GROUTING OF THE TOEWALLS SHALL BE PERFORMED PER SPECIFICATIONS.

Sheet 08-18-2008 9:55:50 PM by BMM  
 C:\Users\BMM\Documents\2008-08-14 from Tulsa\08160-000-C-Plan\Details



No.	Revision	By	Date
K-96 LAKE ROAD PAVING AND INCIDENTAL DRAINAGE IMPROVEMENTS <b>JOINT DETAILS</b> JAMES L. ARMOUR, P.E. - CITY ENGINEER CITY OF WICHITA PROJECT NO. 472-84737 <b>Professional Engineering Consultants, P.A.</b> 303 S. TOPEKA • WICHITA, KANSAS 67202 316-262-2691 • FAX 316-262-3003			
Designed by	BMM	Job No.	35-08160-000
Drawn by	BJS, TAT	Date	March 2008
			Sheet 15 of 29