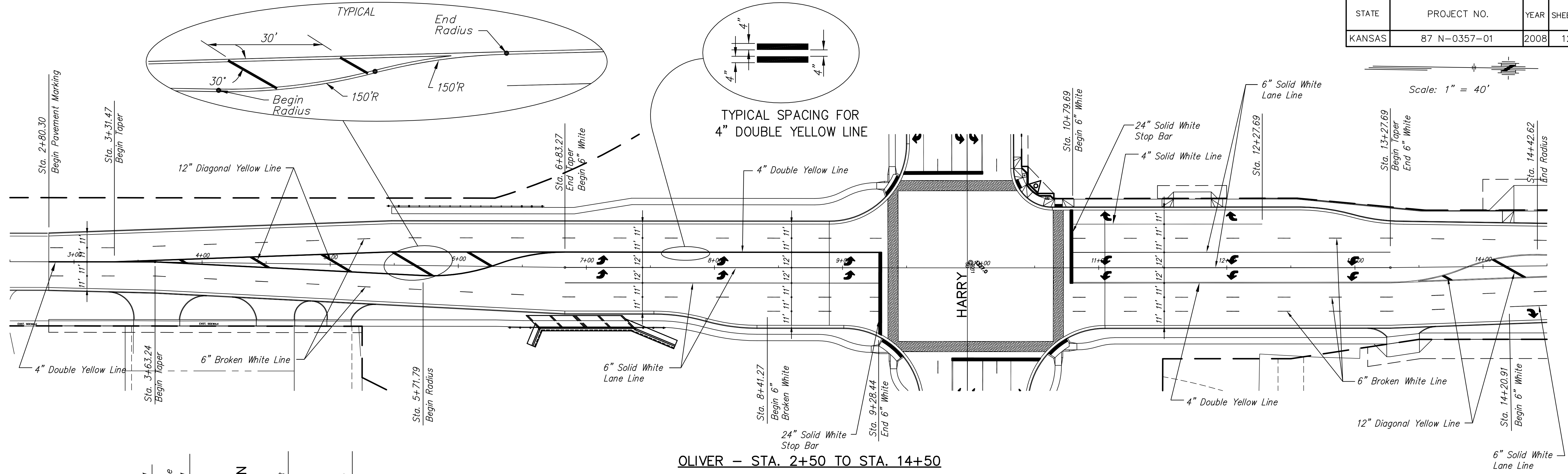
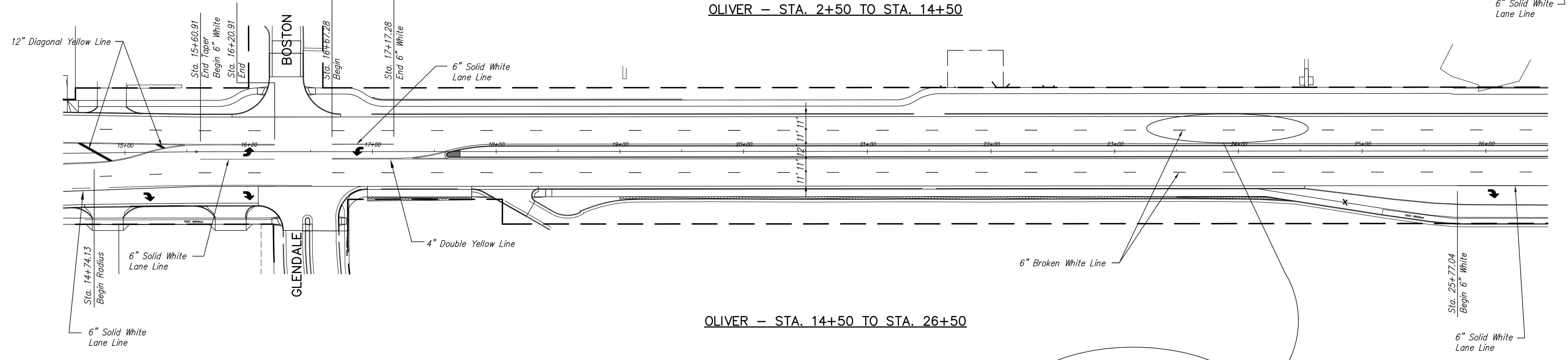


STATE	PROJECT NO.	YEAR	SHEET NO.	TOTAL SHEETS
KANSAS	87 N-0357-01	2008	124	185

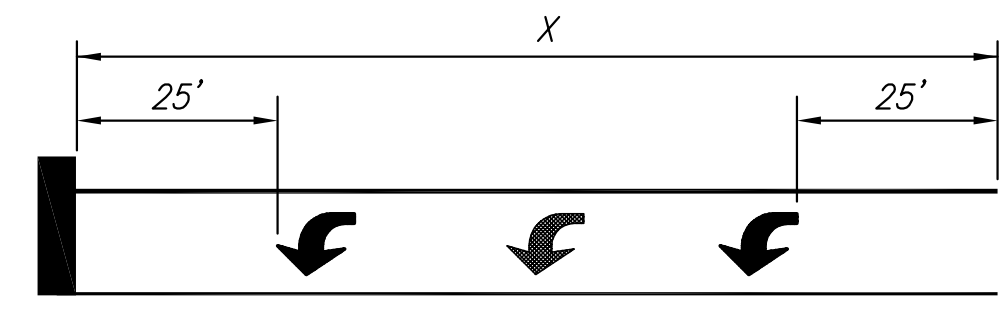
Scale: 1" = 40'



OLIVER - STA. 2+50 TO STA. 14+50

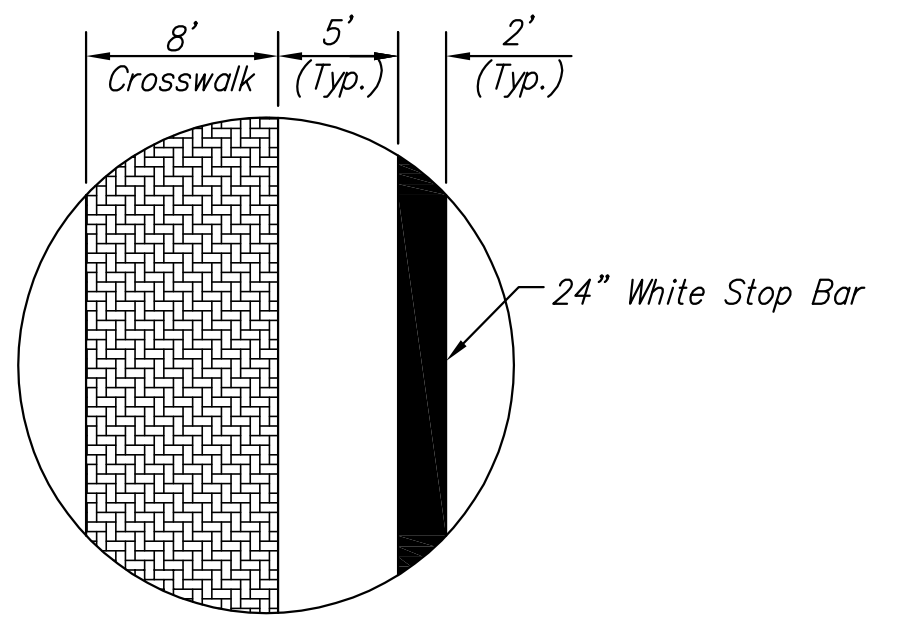


OLIVER - STA. 14+50 TO STA. 26+50

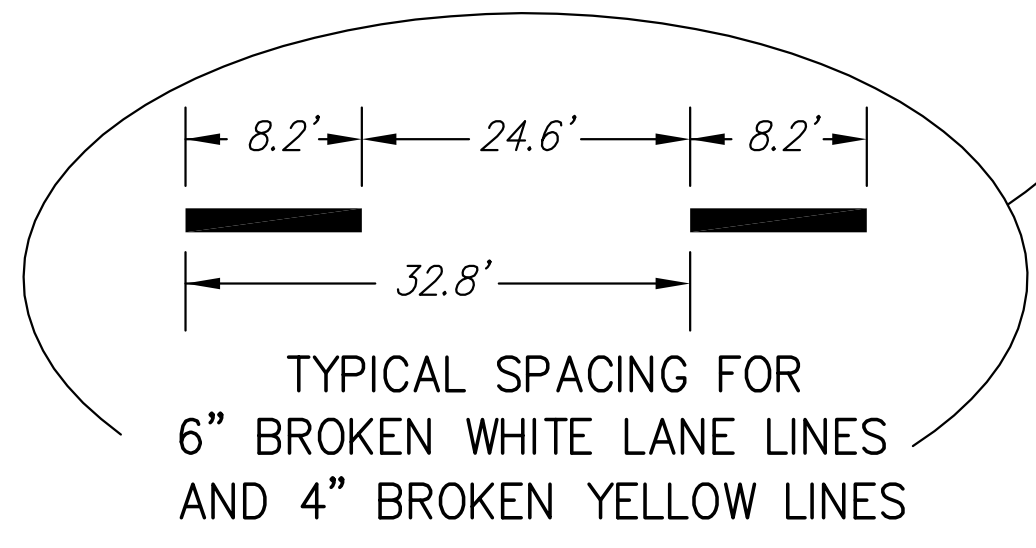


ARROW SPACING DETAIL

NOTE:  
Add a third arrow equidistant between the other two arrows only when X is greater than 200'.



STOP BAR DETAIL



TYPICAL SPACING FOR 6" BROKEN WHITE LANE LINES AND 4" BROKEN YELLOW LINES

NOTE:  
Existing Pavement Marking removed for temporary traffic control purposes shall be Replaced, in-kind on Oliver, Harry and Lincoln. Quantities for this are reflected in the Summary of Quantities.

KANSAS DEPARTMENT OF TRANSPORTATION			
<b>OLIVER IMPROVEMENTS PAVEMENT MARKING PLAN</b>			
PROJECT NO. 87 N-0357-01		SEDGWICK CO.	
<b>M K E C ENGINEERING CONSULTANTS, INC.</b>			
WICHITA, KANSAS			
DESIGNED BY: LAC	CHECKED BY: JRA		
DRAWN BY: WNU	DATE: 4/01/05	SHEET 124 OF 185	