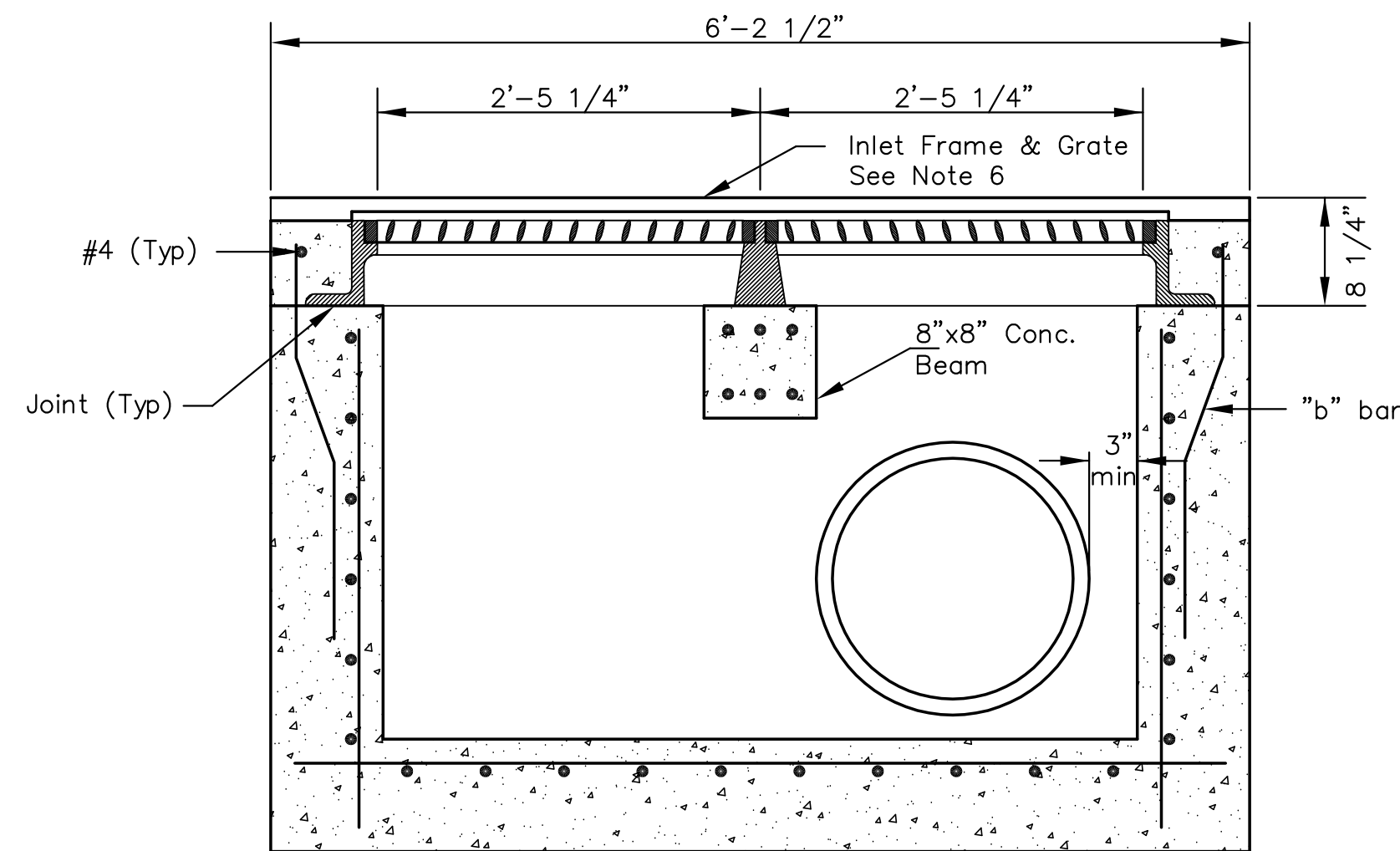
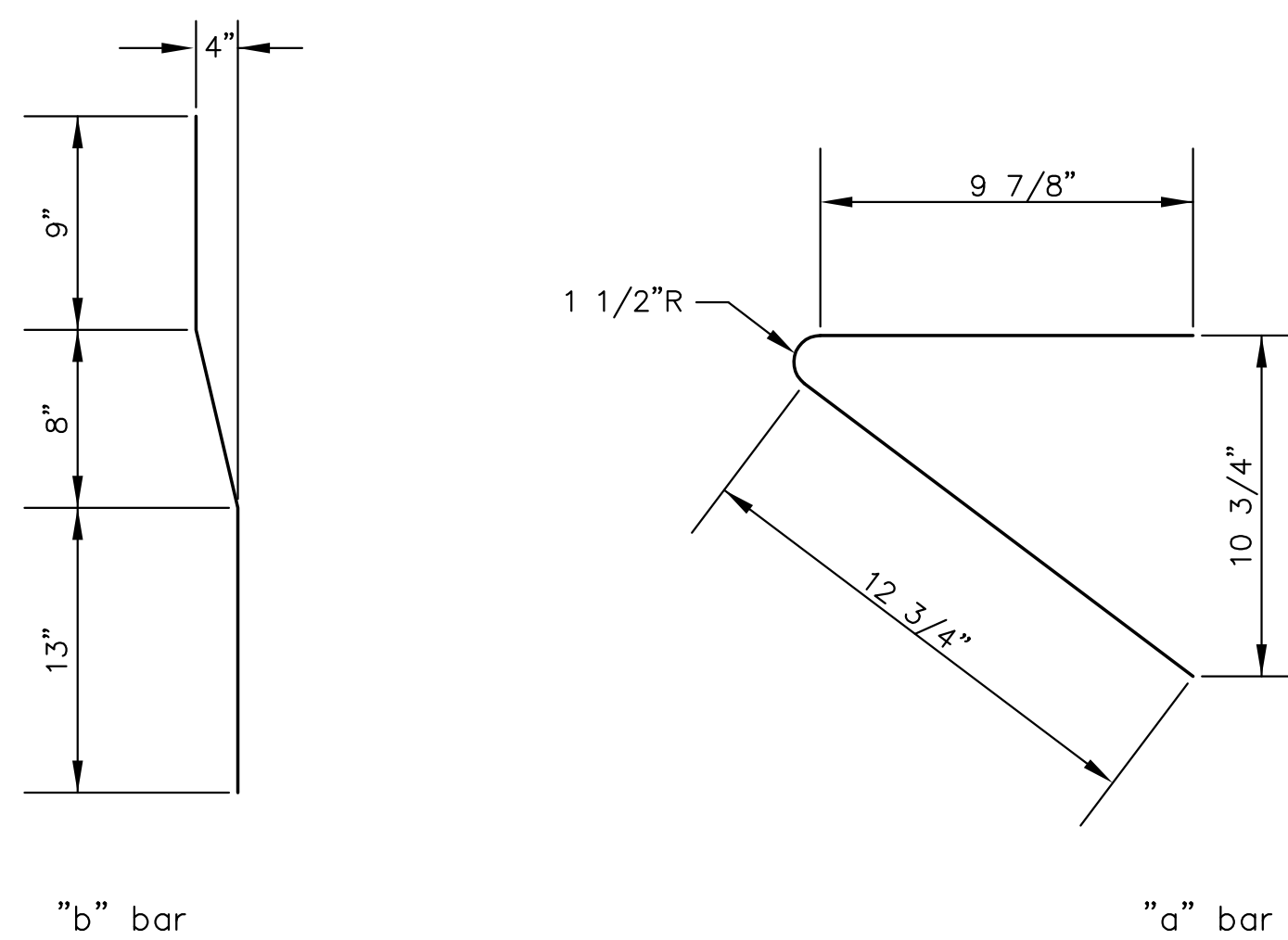


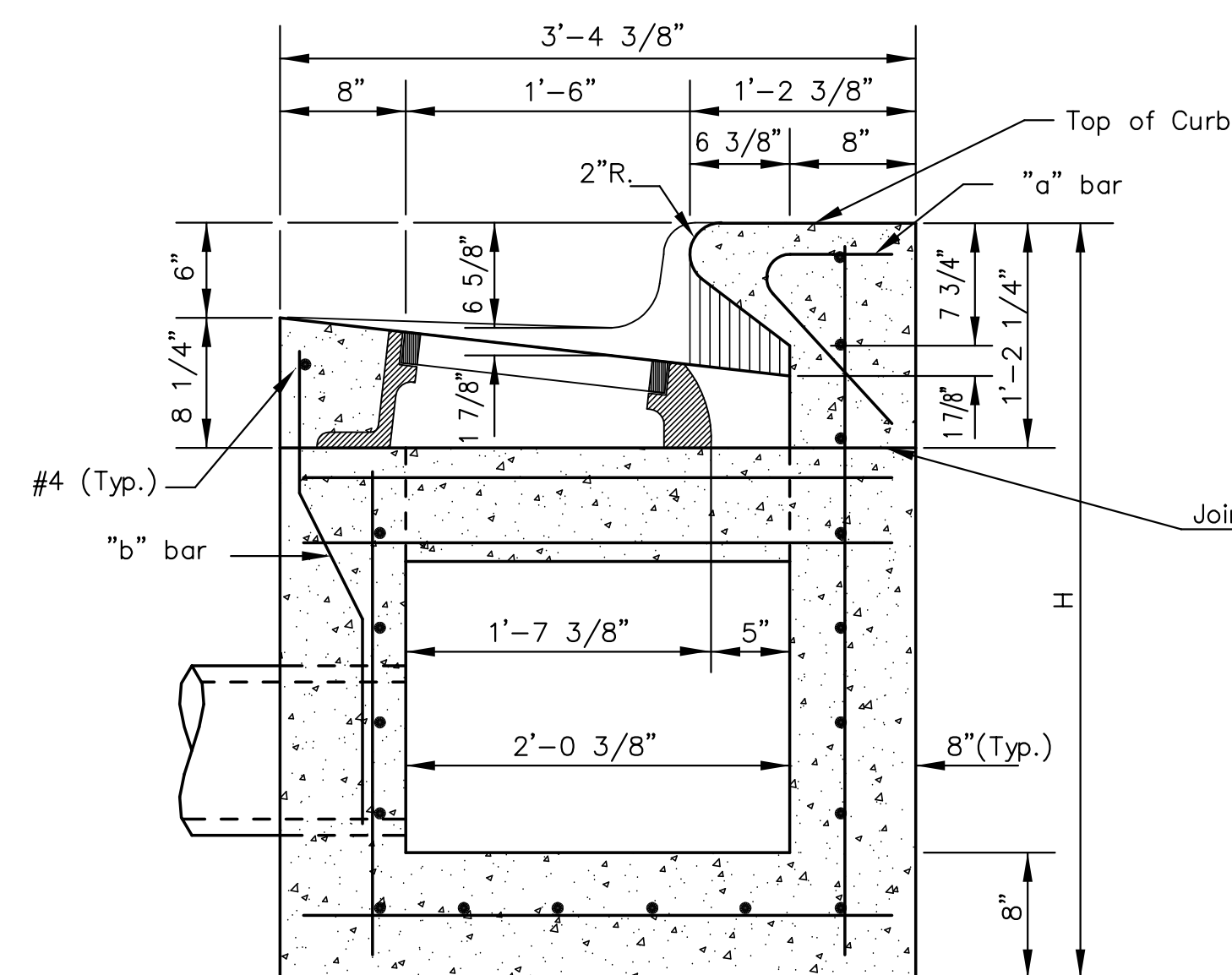
SECTION C-C



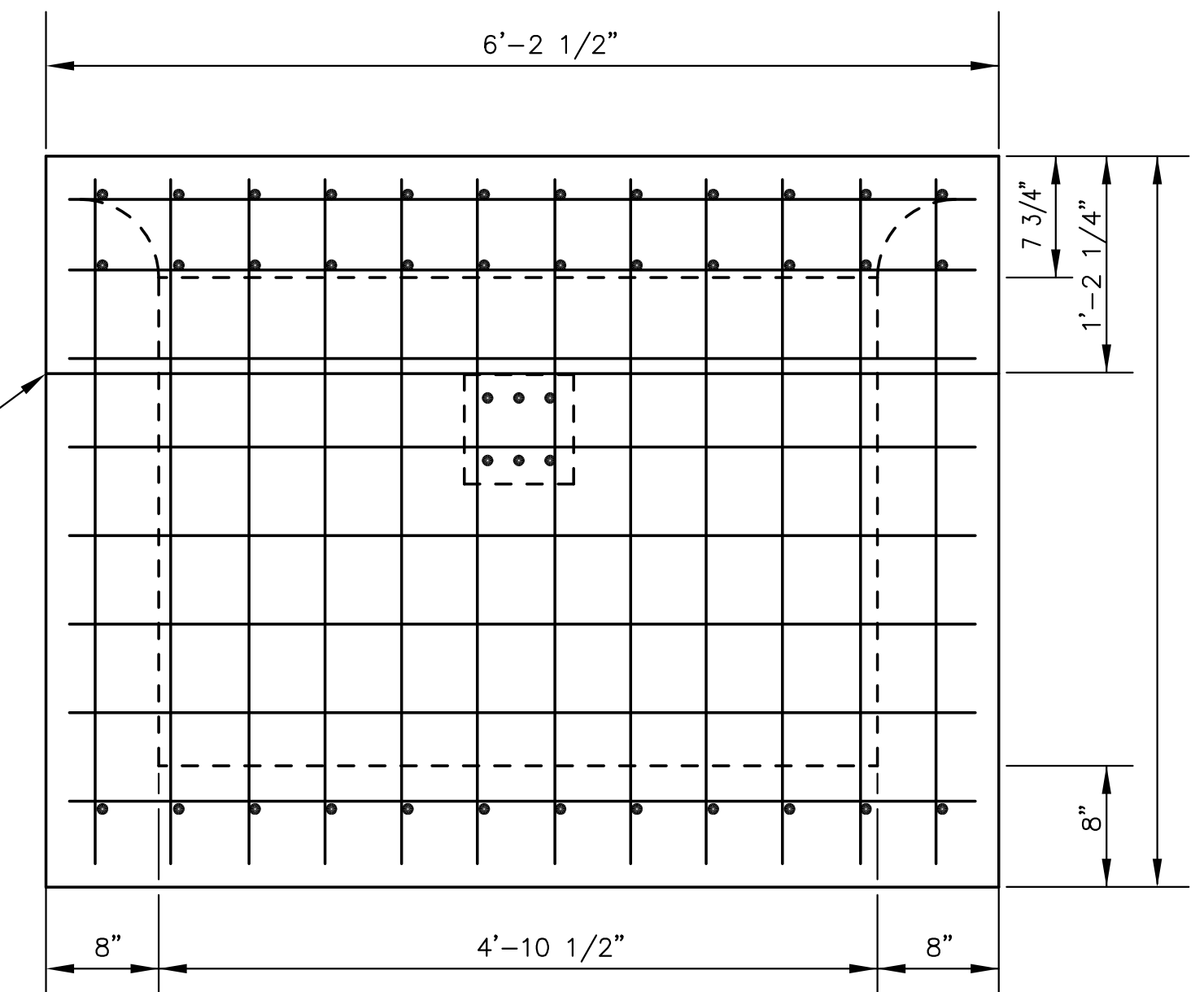
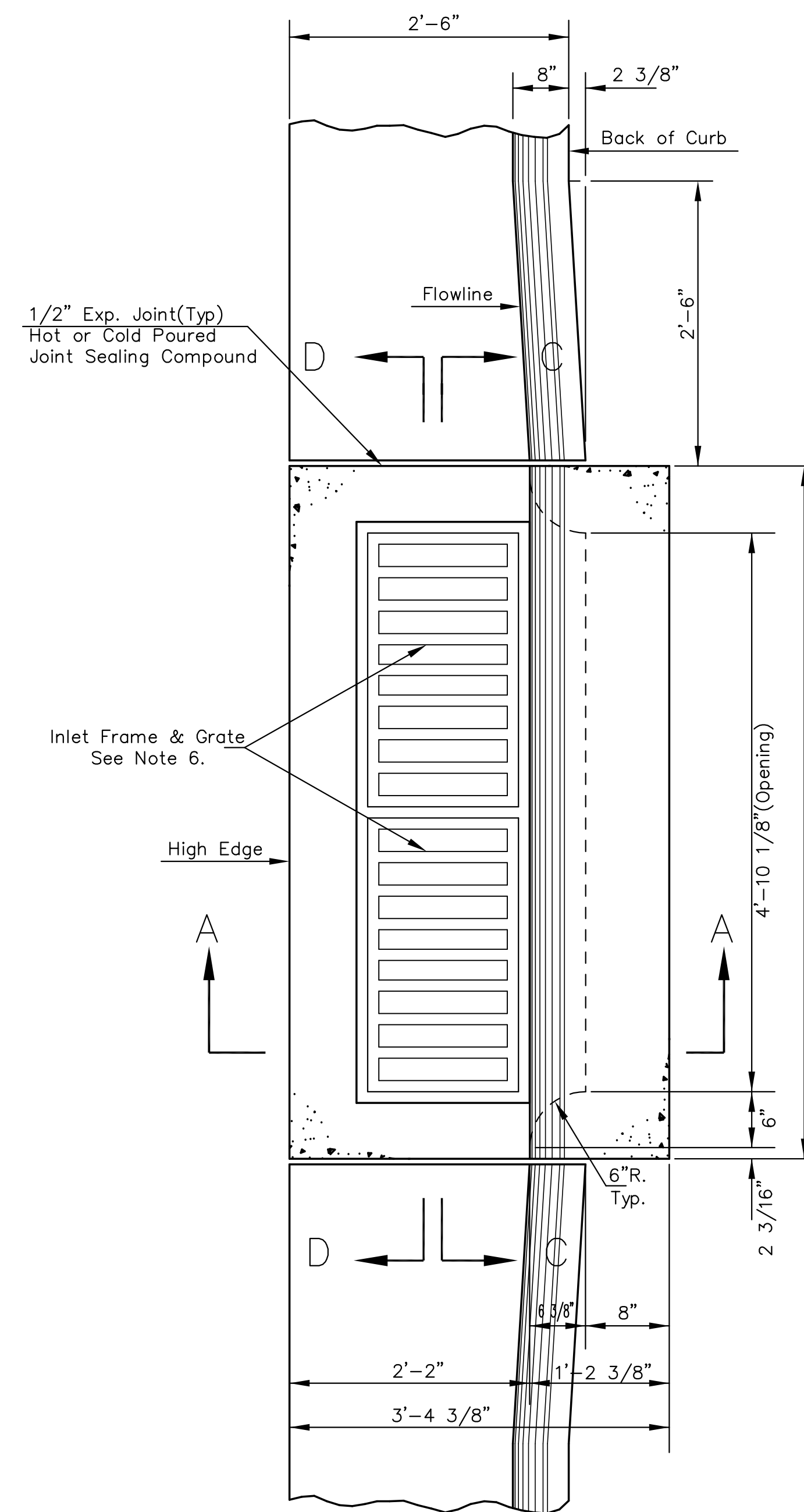
SECTION D-D



BENDING DIAGRAM



SECTION A-A



REAR WALL

GENERAL NOTES

1. Use the concrete mix specified for the City of Wichita concrete pavement throughout. All exposed edges shall be finished with an edging tool. Reinforcing bars shall be bent around pipe.
2. Inlet invert shall be shaped with 8 sack mix concrete to create flow channels and to increase hydraulic efficiency such that the inlet will be self cleaning between all inlet and/or outlet pipes.
3. All bars are #4 with 6" spacing and shall have a minimum clearance of 1 1/2 inches unless otherwise noted on the plans.
4. When directed by the Engineer, a small opening may be required in the back of the inlet in order to drain a low area. Reinforcing bars will extend through the openings. No deductions in concrete quantities will be made for these openings.
5. No deductions will be made in pay length of curb, gutter, or curb and gutter through the inlet area.
6. Use Neenah R-3288 HV Inlet Frame with Two Piece Grate or approved equal. Inlet frame to be proof load tested to 40,000 lbs. on unsupported side.
7. Reinforcing bars shall be cut or bent around pipes. No deduction in concrete quantities shall be made for pipe openings.
8. The vanes of the grate shall be oriented with respect to the flow arrows shown on the plans.
9. DEETER FOUNDARY, Inc. casting No. 2442/43 with style H grate is an approved equal to NEENAH castings specified. Inlet drawing is based on NEENAH castings and concrete walls and supports will require some field modification to accommodate DEETER castings.

<p>THE CITY OF WICHITA</p> <p>CITY ENGINEER'S OFFICE CITY HALL - SEVENTH FLOOR 455 NORTH MAIN STREET WICHITA, KANSAS 67202 (316) 268-4501 (316) 268-4114 FAX</p>	<p>STANDARD TYPE II</p> <p>INLET OPENING</p> <p>6" x 4'-10 1/8"</p>	
	<p>NEIL D. CABLE, P.E. - CITY ENGINEER</p>	
	<p>PROJECT NUMBER</p> <p>XXX-XXXX</p>	<p>INDEX CODE</p> <p>XXXXXX</p>
	<p>DATE</p> <p>MAR 96</p>	<p>SHEET 62 OF 185</p>