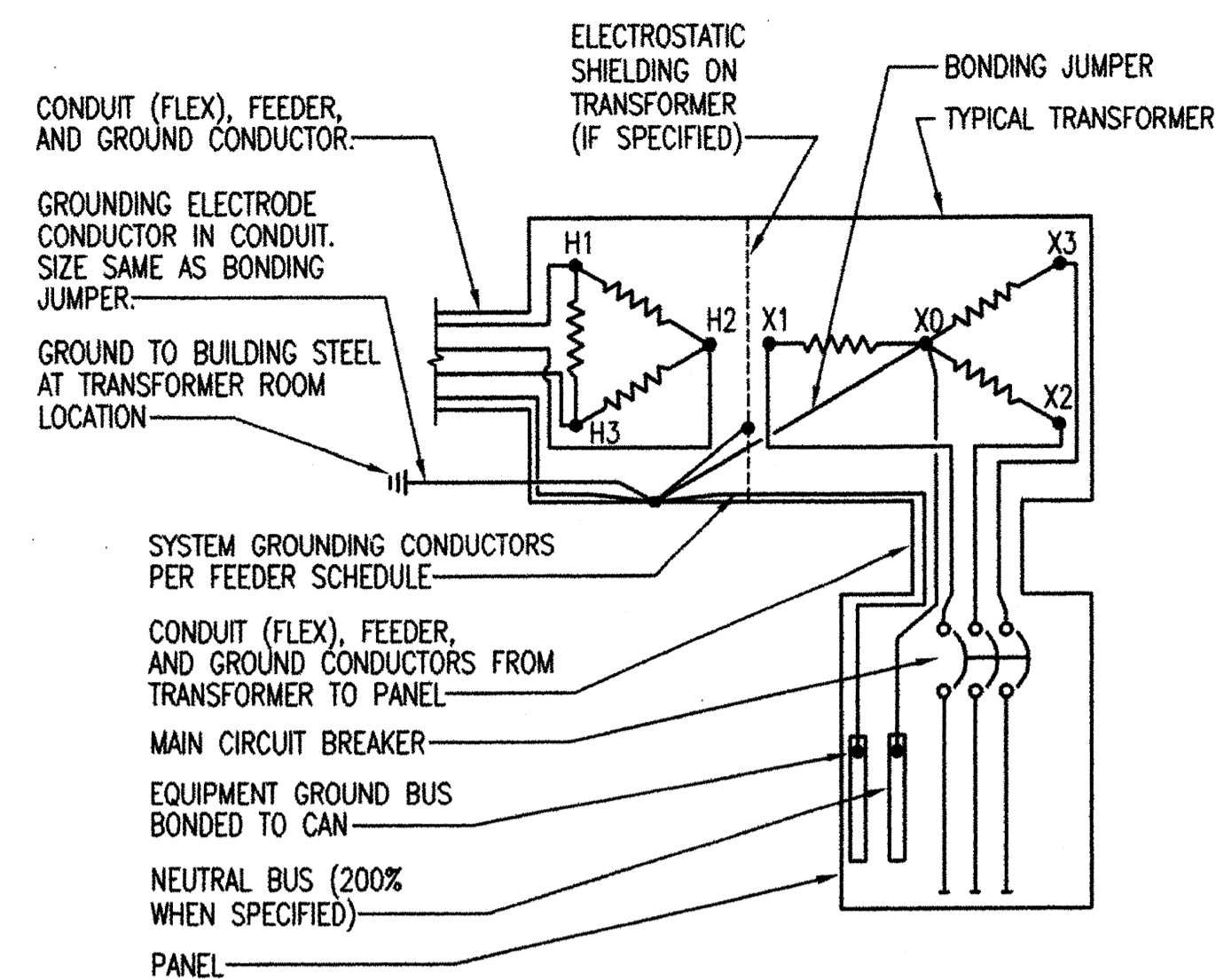
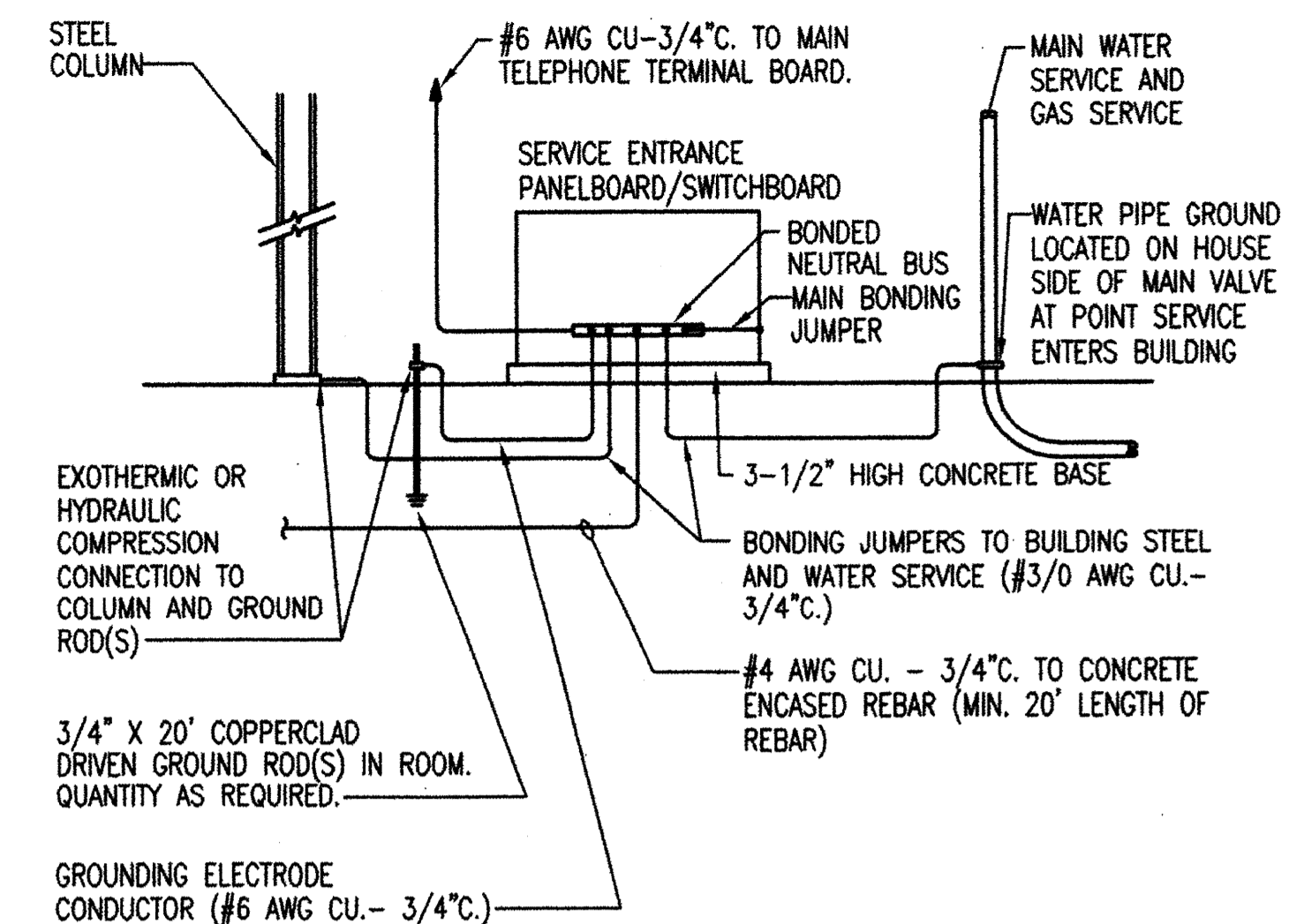


1 TYPICAL PUMP CONNECTION DETAIL
NO SCALE

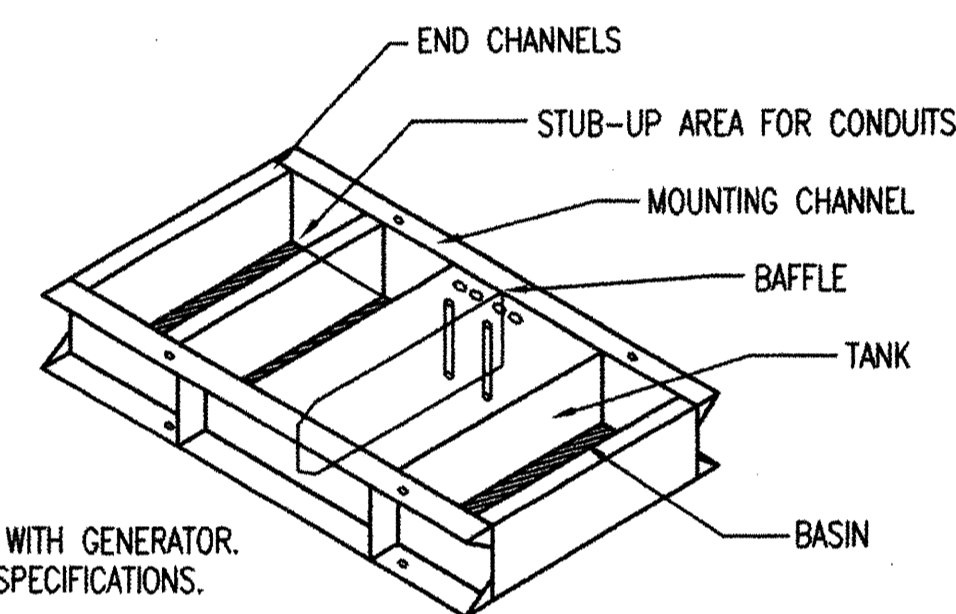


4 TYPICAL TRANSFORMER GROUNDING DETAIL
NO SCALE



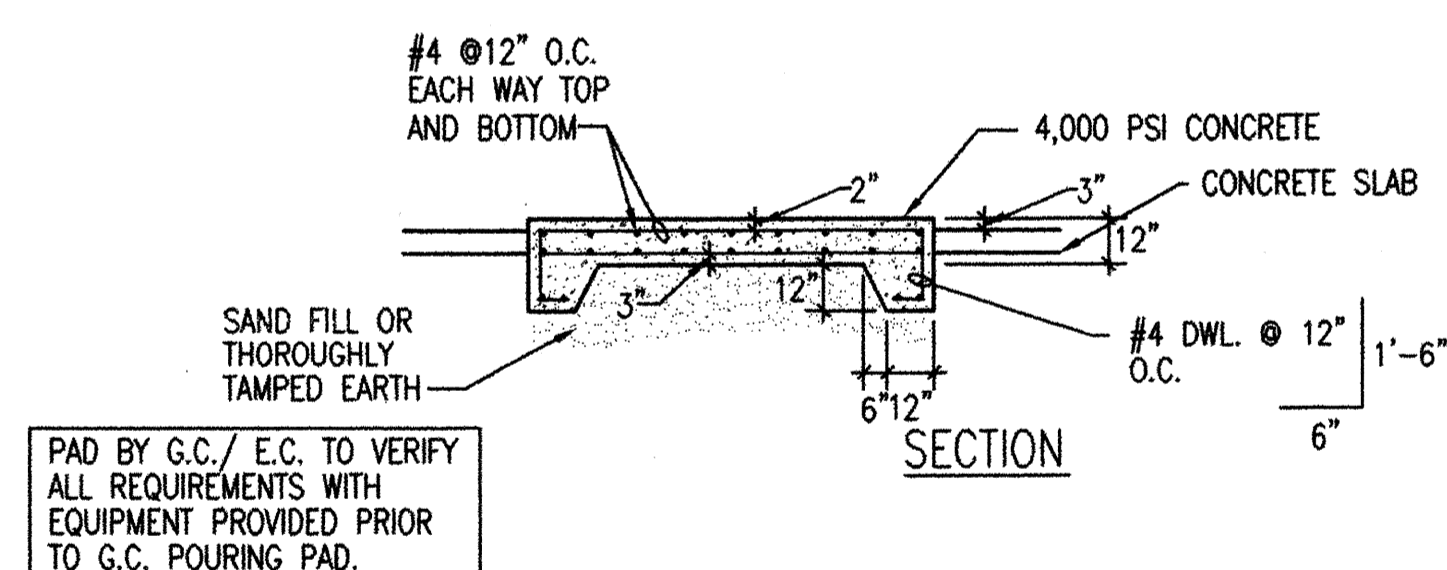
NOTE: PROVIDE OTHER GROUNDING CONNECTIONS AS SPECIFIED IN N.E.C. ARTICLE 250-50.(1999)

5 SYSTEM GROUNDING DETAIL - PANEL
NO SCALE

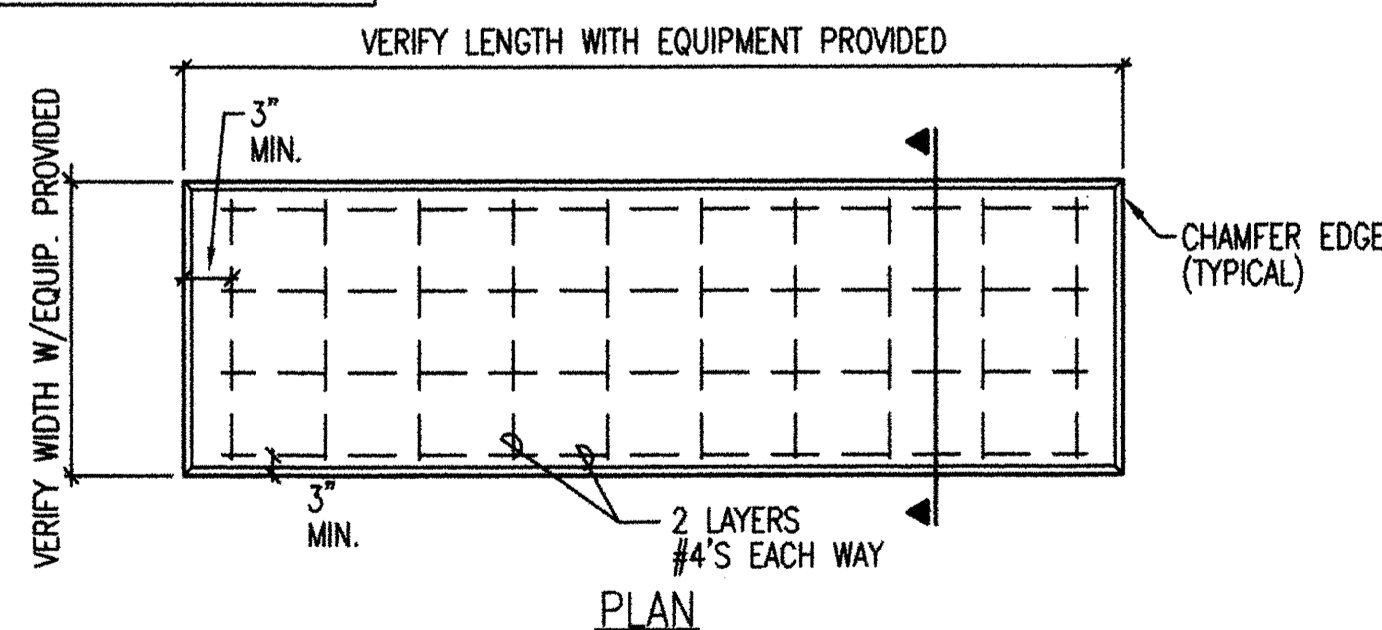


NOTE: PROVIDED WITH GENERATOR. SEE THE SPECIFICATIONS.

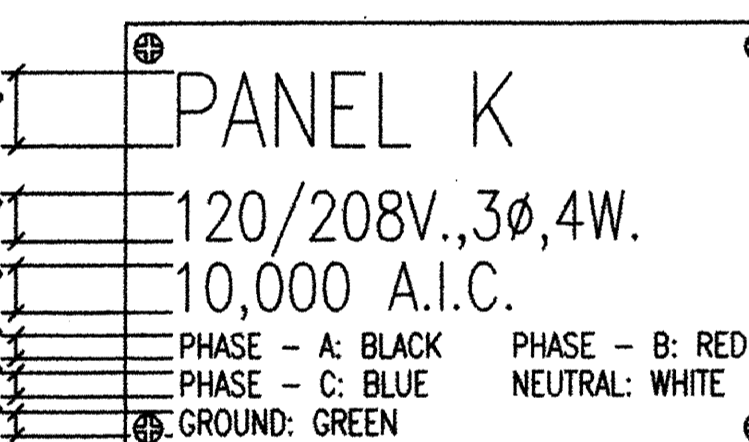
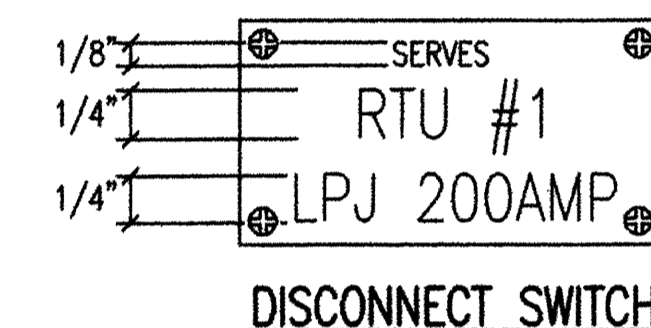
2 GENERATOR SUB-BASE WITH RUPTURE BASIN
NO SCALE



PAD BY G.C./ E.C. TO VERIFY ALL REQUIREMENTS WITH EQUIPMENT PROVIDED PRIOR TO G.C. POURING PAD.



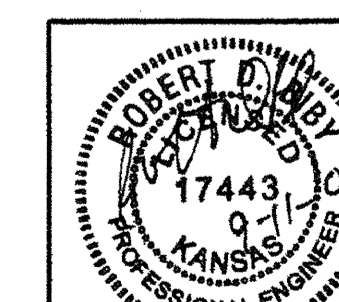
3 ENGINE GENERATOR PAD DETAIL
NO SCALE



BRANCH CIRCUIT/DISTRIBUTION PANEL

6 TYPICAL NAME PLATES
NO SCALE

Sheet 03-10-0608 656.10 AM by RDB
 Plot Scale 1/8\"/>



No.	Revision	By	Date
CITY OF WICHITA, KANSAS ELECTRICAL DETAILS STORMWATER SYSTEM IMPROVEMENTS Professional Engineering Consultants, P.A. 303 S. TOPEKA • WICHITA, KANSAS 67202 316-262-2691 • FAX 316-262-3003			
Designed by	RDB, EJJ	Job No.	34-06060-042
Drawn by	SMS	Date	SEPTEMBER 2008
			SH. E1.2 of 6