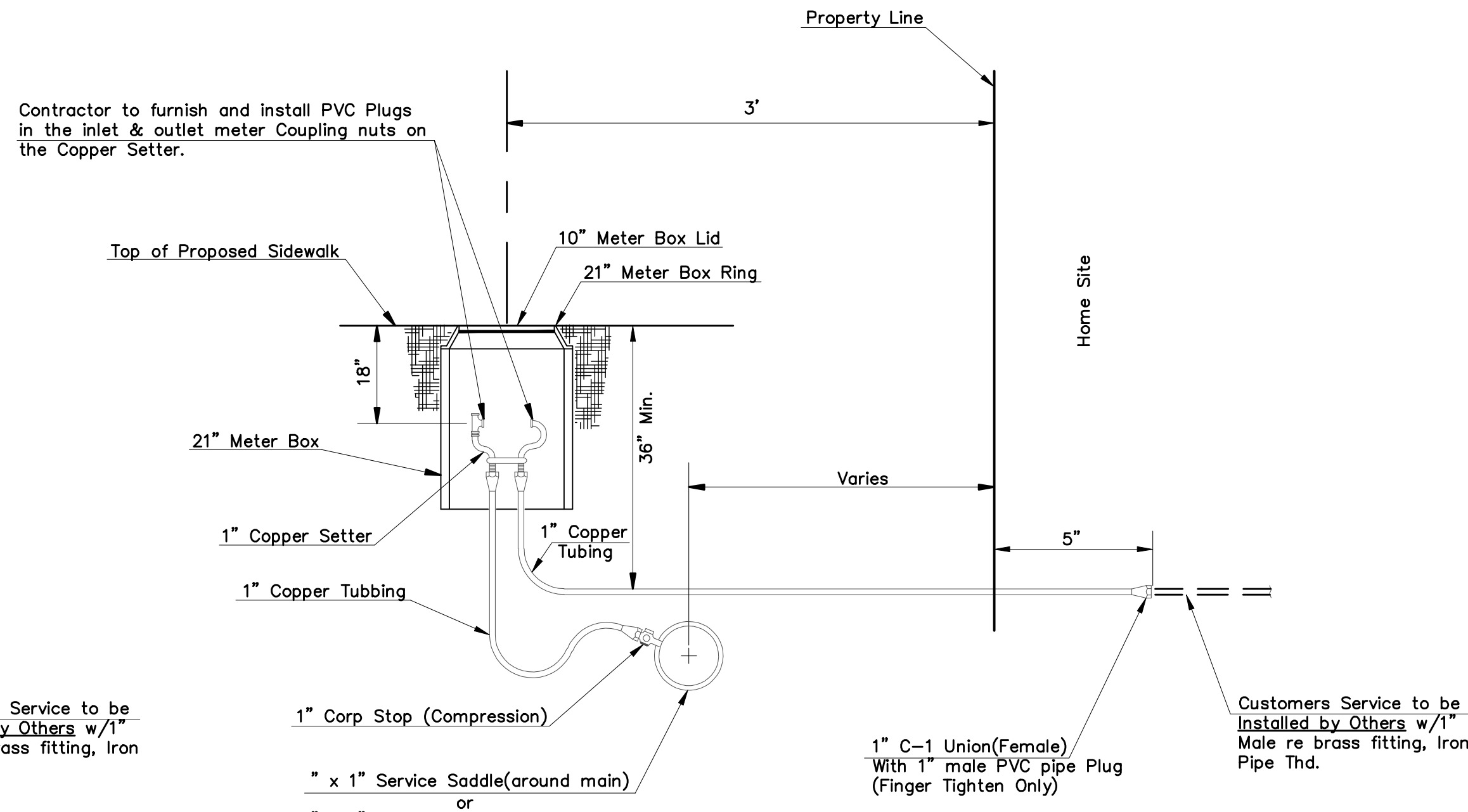


Bore hole under paving shall be a maximum of 2" in Diameter and a minimum of 3/8" below top of paving.

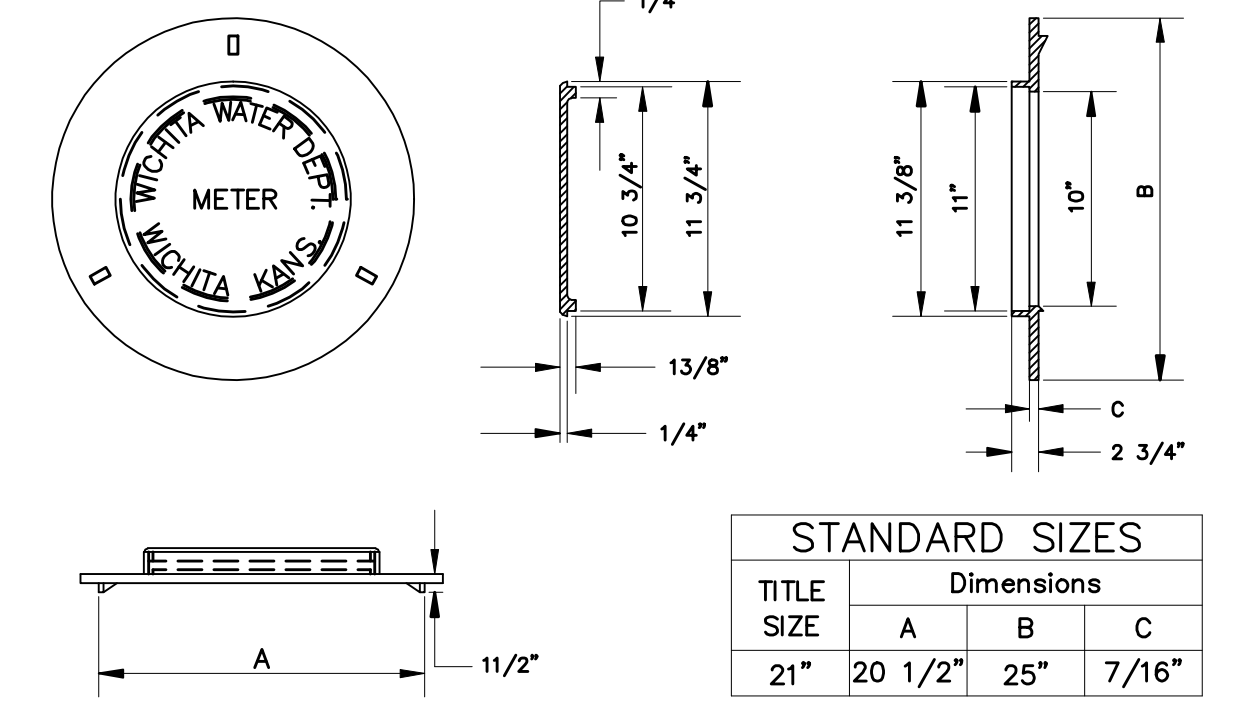
Note: Service Saddles are not required on top of 8" mains or larger
 Meter boxes will be located on each lot to be served, as indicated in the SPECIAL PROVISIONS

**TYPICAL METER SETTING
 LONG SERVICE 1"**



Note: Service Saddles are not required on top of 8" mains or larger
 Meter boxes will be located on each lot to be served, as indicated in the SPECIAL PROVISIONS

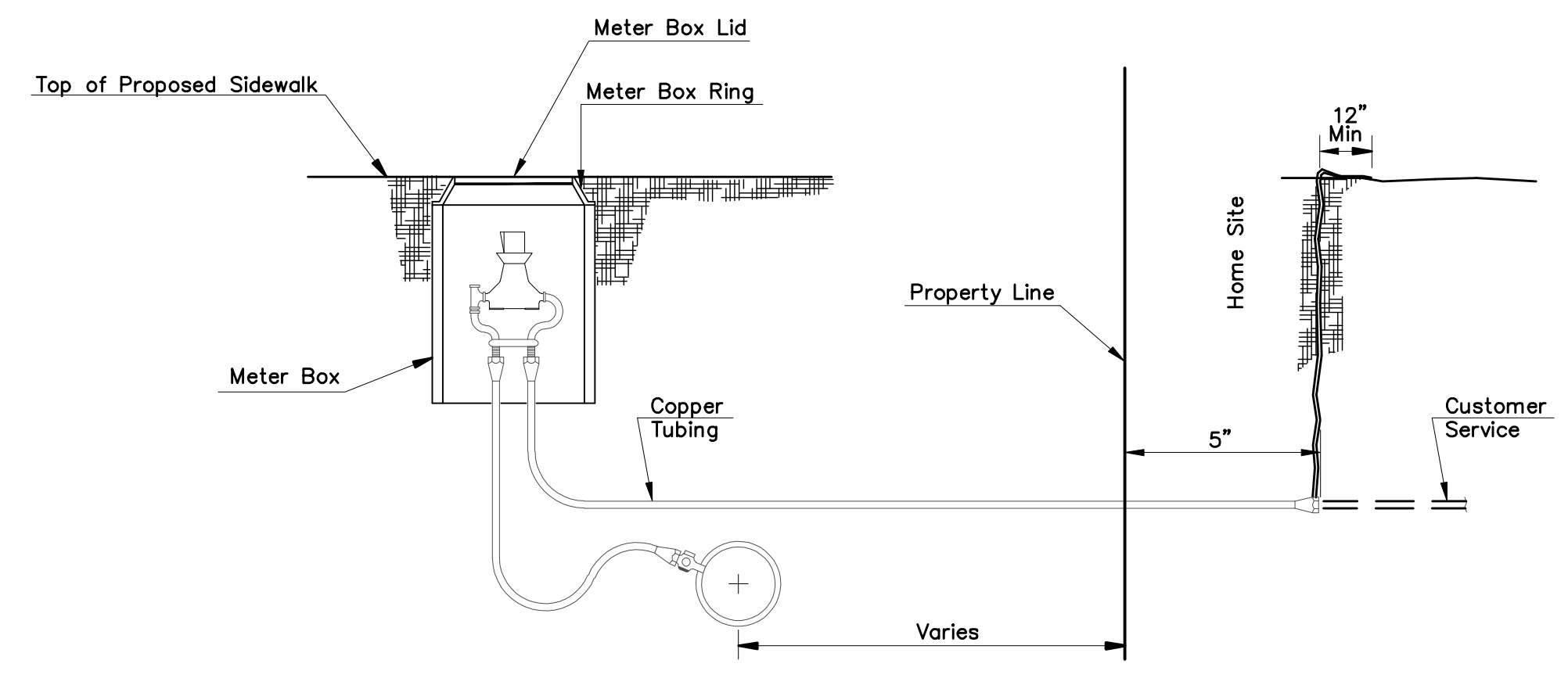
**TYPICAL METER SETTING
 SHORT SERVICE 1"**



TITLE	Dimensions		
	A	B	C
21"	20 1/2"	25"	7/16"

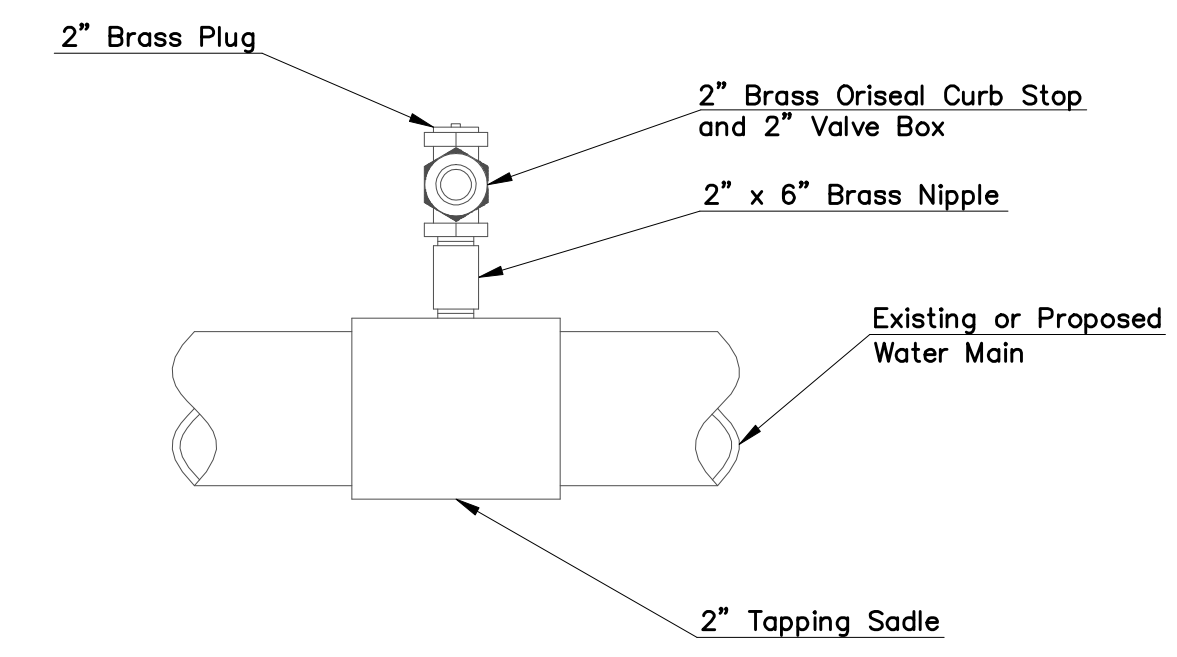
Other Approved Ring And Lids: Ford Meter Box Co. Inc. 21" Ring & Lid Catalog No. C-4

RING & LID FOR METER VAULTS



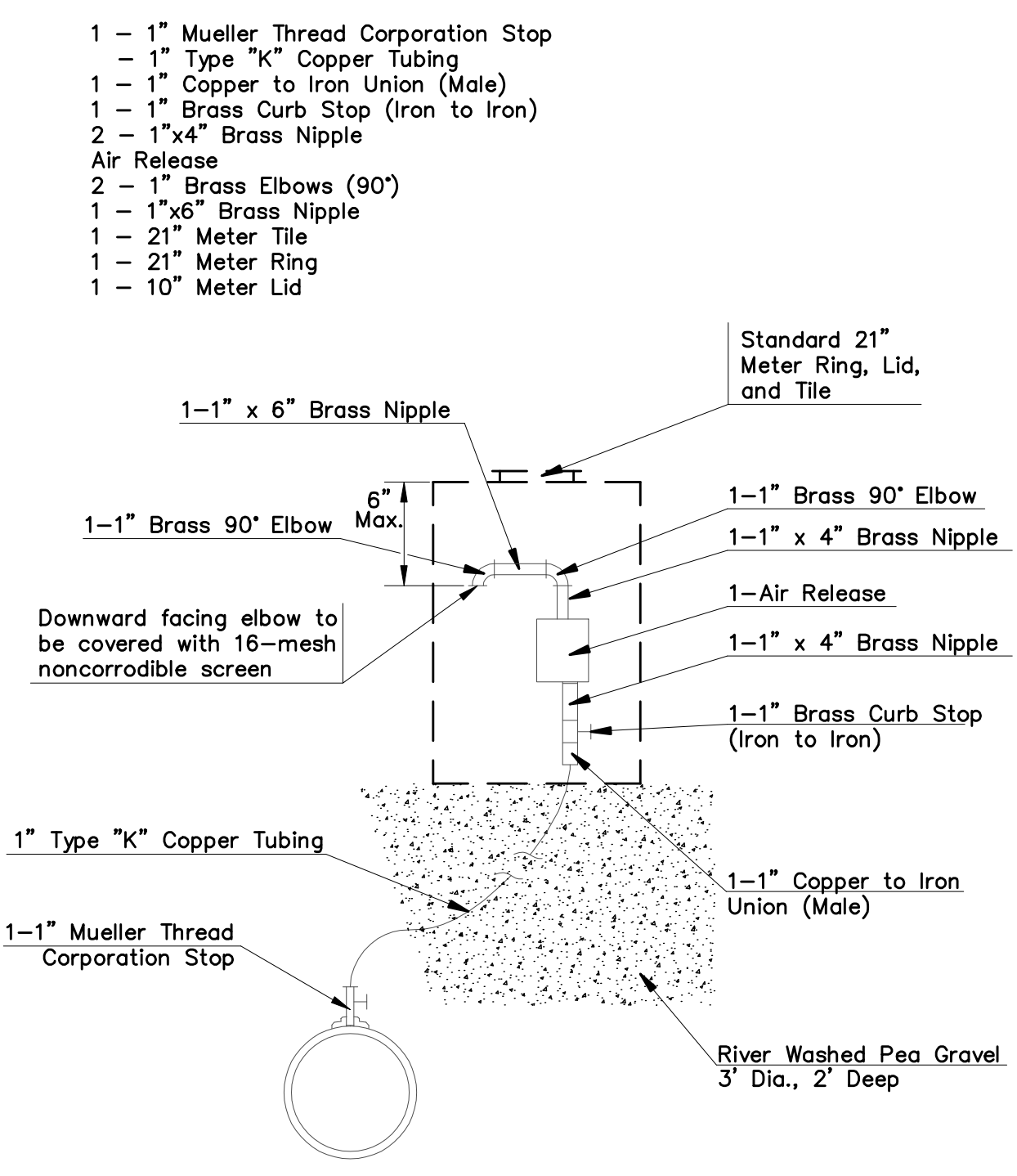
If customers service line is not installed at the time Meter Box and Setter are installed, Plastic Flagging is to be tied to the end of copper tubing & brought straight up to top of ground and be exposed a minimum of 12" on top of ground. (Plastic Flagging to be Furnished by Contractor)

**TYPICAL METER SETTING
 PLASTIC FLAGGING**

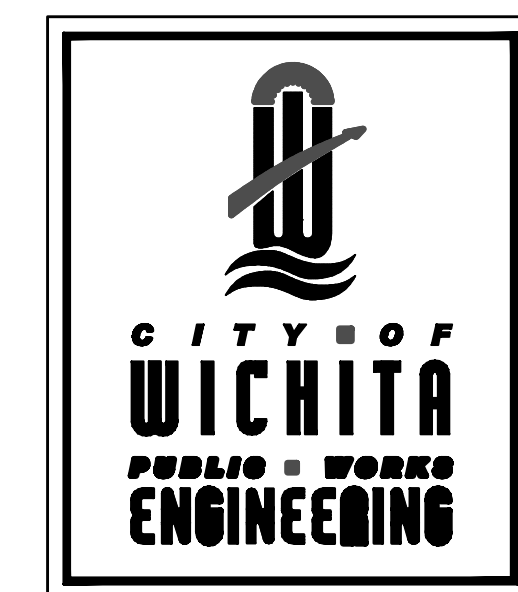


Note: Where the 2" service outlet assembly is to be used to connect a 2" main to another main, the 2" valve shall be a 2" IPT Gate Valve. 2" Ball or Globe valve shall not be approved for this use.

2" SERVICE OUTLET ASSEMBLY



MATERIALS FOR AIR RELEASE ASSEMBLY



STANDARD WATER SERVICE DETAILS	
CITY ENGINEER JAMES L. ARMOUR, P.E., L.S.	
PROJECT NUMBER 472-85471	DATE 10/08
OCA NUMBER 766166	DESIGN JU
CITY ENGINEER'S OFFICE 455 NORTH MAIN STREET WICHITA, KANSAS 67202-1620 (316) 288-4501 (316) 268-4114 FAX	DRAWN SS
SHEET 36A OF 44	

Revision: Revised water meter adjustment note to include relocation and added detail sheet 36A

Approved: SS

By: SS

Date: 10/31/08

No. 36A

PARKSTONE ADDITION
 STREET IMPROVEMENTS
 STANDARD DETAILS - WATER SERVICE
 CITY OF WICHITA, KANSAS
 JAMES L. ARMOUR, P.E. - CITY ENGINEER
 Private Project # 472-85471 O.C.A. # 766166

POE & ASSOCIATES, INC.
 CONSULTING ENGINEERS
 1940 E. Central, Suite 200 - Wichita, KS 67208-0242
 Phone 316/685-4114 - FAX 316/685-4444

FINAL

Designed By: S. Schmidt/J. Ubert
 Drawn By: A. Moss
 P.O. Job No.: 1879A
 Date: September 2008

Sheet
 36A of 44