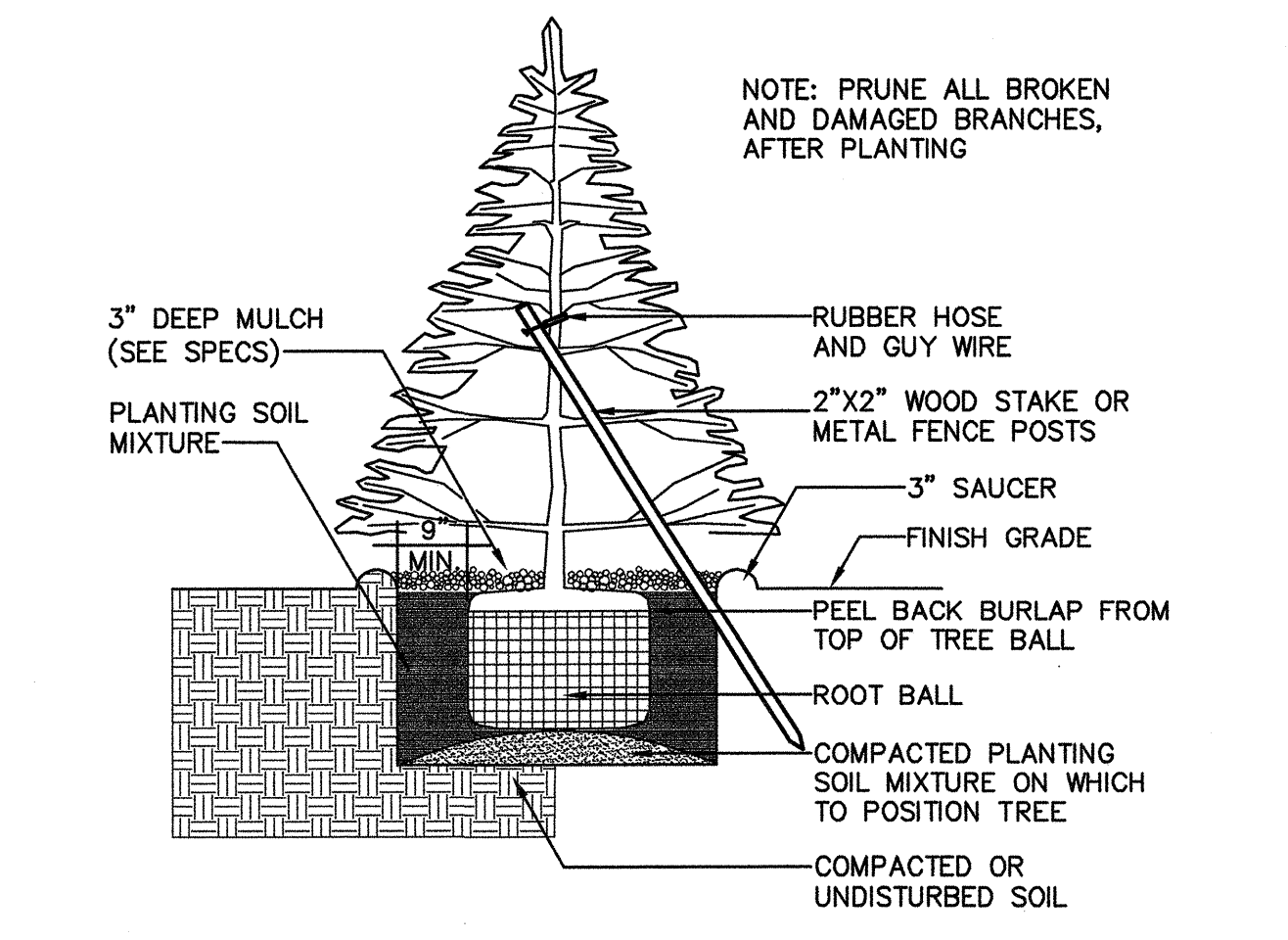
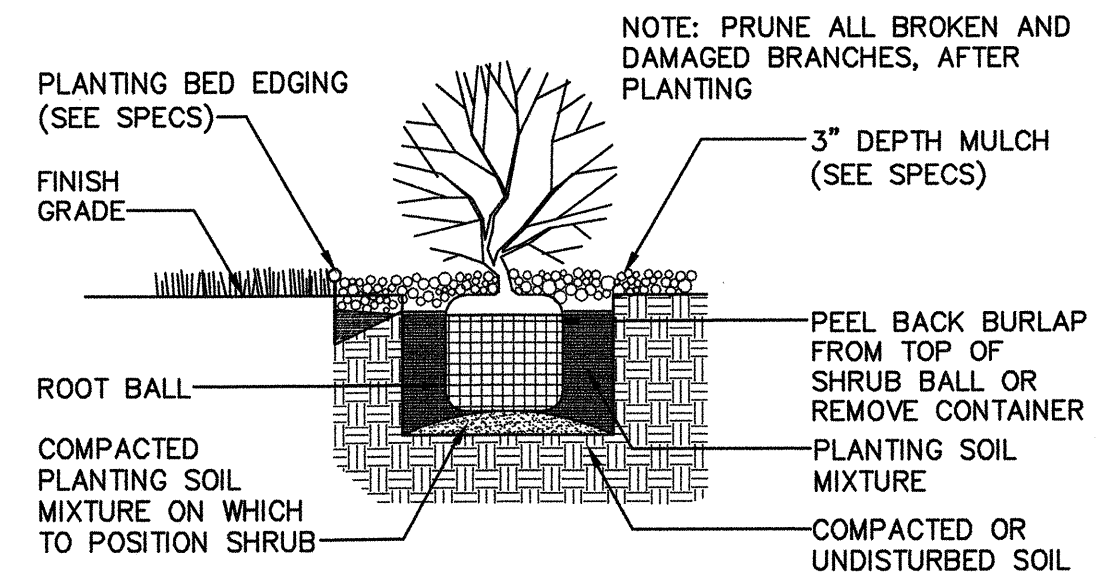


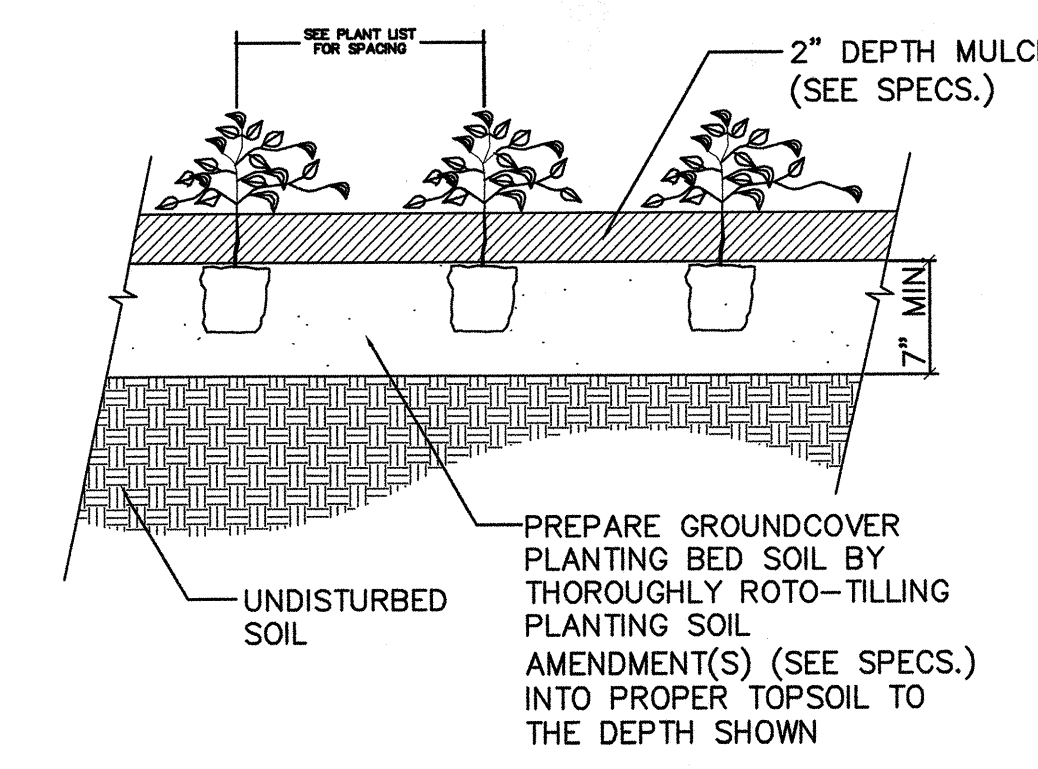
1 DECIDUOUS TREE PLANTING
 0' 1' 2' 3' 1/2"=1'-0"



2 CONIFEROUS TREE PLANTING
 0' 1' 2' 3' 1/2"=1'-0"



3 SHRUB PLANTING
 0' 1' 2' 3' 1/2"=1'-0"



4 GROUNDCOVER PLANTING
 NOT TO SCALE

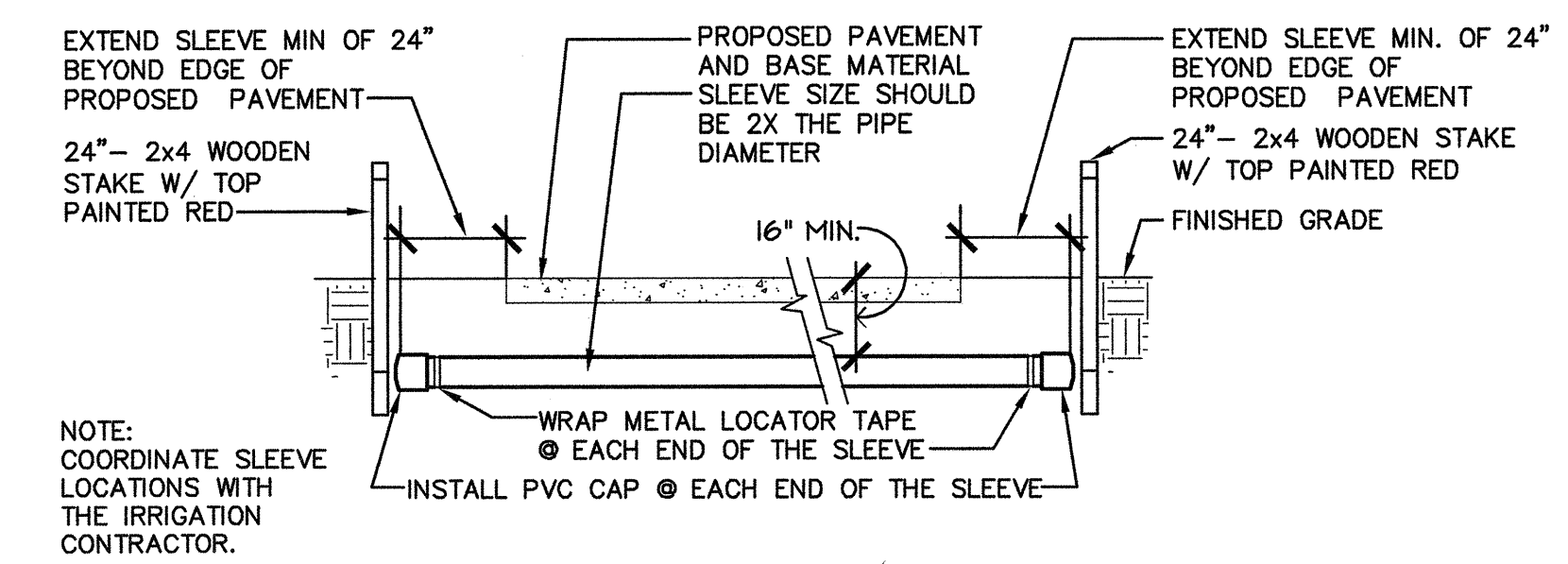
PLANT SPACING

SPACING "D"	ROW "A"
6" O.C.	5.2"
12" O.C.	10.4"
18" O.C.	15.6"
24" O.C.	20.8"
30" O.C.	26.0"



PLANT LIST

KEY	QUANTITY	COMMON NAME	BOTANICAL NAME	SIZE	CONDITION
TREES					
CP	9	CAPITAL PEAR	<i>Pyrus calleryana</i> 'Capital'	2" to 2 1/2" cal.	Balled-in-Burlap
CCP	2	CHANTICLEER PEAR	<i>Pyrus calleryana</i> 'Cleveland Select'	2" to 2 1/2" cal.	Balled-in-Burlap
LFE	2	LACEBARK FRONTIER ELM	<i>Ulmus</i> 'Frontier'	2" to 2 1/2" cal.	Balled-in-Burlap
NO	7	NUTTALL OAK	<i>Quercus nuttallii</i>	2" to 2 1/2" cal.	Balled-in-Burlap
NRO	3	NORTHERN RED OAK	<i>Quercus rubra</i>	2" to 2 1/2" cal.	Balled-in-Burlap
NWM	4	NEW WORLD MAPLE	<i>Acer rubrum</i> 'New World'	2" to 2 1/2" cal.	Balled-in-Burlap
OGM	3	'OCTOBER GLORY' MAPLE	<i>Acer rubrum</i> 'October Glory'	2" to 2 1/2" cal.	Balled-in-Burlap
SHL	2	'SKYLINE' HONEYLOCUST	<i>Gleditsia triacanthos</i> var. <i>inermis</i> 'Skyline'	2" to 2 1/2" cal.	Balled-in-Burlap
UEO	3	UPRIGHT ENGLISH OAK	<i>Quercus robur</i> 'Fastigiata'	2" to 2 1/2" cal.	Balled-in-Burlap
WS	1	WHITE BLACK HILLS SPRUCE	<i>Picea glauca</i> 'Densata'	15 gallon	Container
SHRUBS					
AWS	12	ANTHONY WATERER SPIREA	<i>Spiraea x bumalda</i> 'Anthony Watereri'	2 gallon	Container
BSJ	26	BLUE STAR JUNIPER	<i>Juniperus squamata</i> 'Blue Star'	3 gallon	Container
CAJ	46	COMPACT ANDORRA JUNIPER	<i>Juniperus horizontalis</i> 'Compacta'	5 gallon	Container
DCV	32	DWARF CRAPEMYRTLE 'VELMA'S ROYAL DELIGHT'	<i>Lagerstroemia indica</i> 'Velma's Royal Delight'	2 gallon	Container
DMP	2	DWARF MOGO PINE	<i>Pinus mugo</i> var. <i>pumilio</i>	5 gallon	Container
DVW	31	DWARF VARIEGATED WEIGELIA	<i>Weigela florida</i> 'Variegata Nana'	2 gallon	Container
FPN	12	FIREPOWER DWARF NANDINA	<i>Nandina domestica</i> 'Firepower'	2 gallon	Container
GBS	52	GUMBALL SPIREA	<i>Spiraea x bumalda</i> 'Gumball'	2 gallon	Container
KPJ	22	KALLAY PFITZER JUNIPER	<i>Juniper chinensis</i> 'Kallays Compacta'	5 gallon	Container
LHS	18	LITTLE HENRY DWARF SWEETSPIRE	<i>Itea virginica</i> 'Sprich'	2 gallon	Container
PCR	38	PINK CARPET ROSE	<i>Rosa</i> 'Noamei'	2 gallon	Container
RCR	70	RED CARPET ROSE	<i>Rosa</i> 'Noare'	2 gallon	Container
SS	41	SHIROBANA SPIREA	<i>Spiraea japonica</i> 'Shirobana'	2 gallon	Container
SSV	34	SUMMER SNOWFLAKE VIBURNUM	<i>Viburnum plicatum</i>	5 gallon	Container
WGB	139	WINTER GEM BOXWOOD	<i>Buxus microphylla</i> var. <i>koreana</i> 'Winter Gem'	3 gallon	Container
GROUNDCOVER					
CFG	16	CHINESE FOUNTAIN GRASS	<i>Pennisetum alopecuroides</i>	1 gallon	Container
HPV	346	HOMESTEAD PURPLE VERBENA	<i>Verbena canadensis</i> 'Homestead Purple'	4" pots @ 12" O.C.	Container
ML	267	MAJESTIC LIRIOPE	<i>Liriope muscari</i> 'Majestic'	1 gallon	Container
PMS	34	'MAY NIGHT' MEADOW SAGE	<i>Salvia nemorosa</i> 'May Night'	4" pots @ 24" O.C.	Container
	40 SF	ANNUALS			
	702 SY	FESCUE SOD			



5 IRRIGATION SLEEVE UNDER PAVED AREAS
 NOT TO SCALE

Revision
 Approved
 By
 Date
 No.

PARKSTONE ADDITION
 STREET IMPROVEMENTS
 VICTOR PLACE
 CITY OF WICHITA, KANSAS
 JAMES L. ARMOUR, P.E. - CITY ENGINEER
 Private Project # 472-85471 O.C.A. # 766166

POE & ASSOCIATES, INC.
 CONSULTING ENGINEERS
 5940 E. Central, Suite 200
 Wichita, KS 67208-4292
 Phone 316/685-4114 FAX 316/685-4444

FINAL
 Designed By: L. Guthridge
 Drawn By: L. Guthridge
 P.O. Job No.: 1879A
 Date: September 2008

Gossen Livingston
 Architecture
 423 South Douglas
 Wichita, KS 67202
 Tel: (316) 245-8187
 Fax: (316) 251-5848
 Gossengl@gossenlv.com

Sheet
 42 of 44