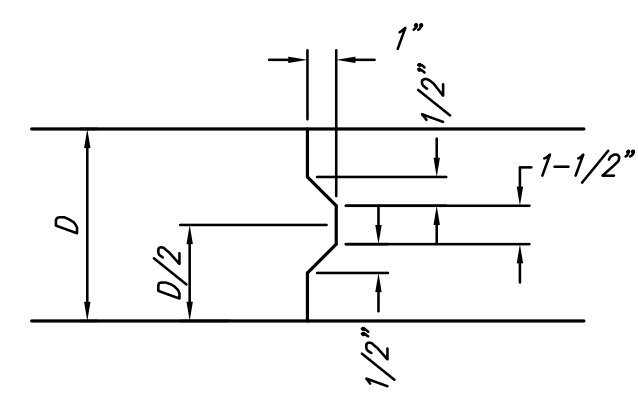
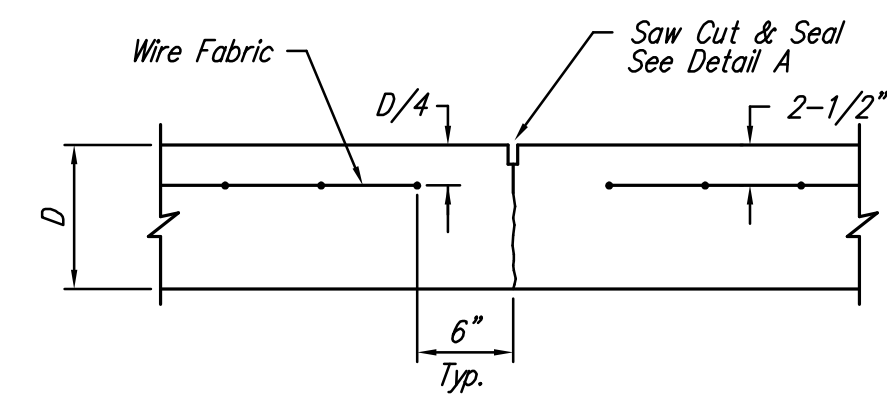


EXPANSION JOINT

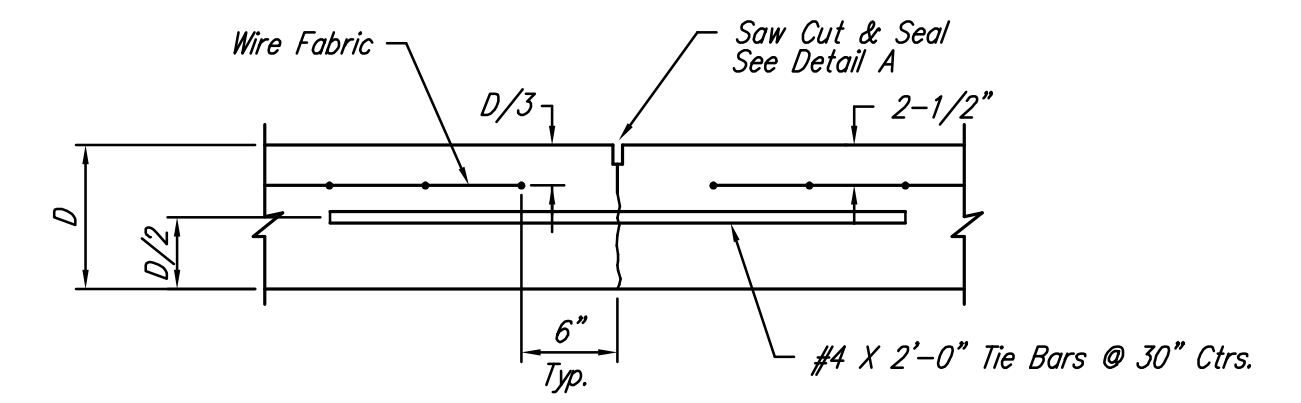
NOTE: Extra Thickness to be Subsidiary to Price of Square Yards Pavement



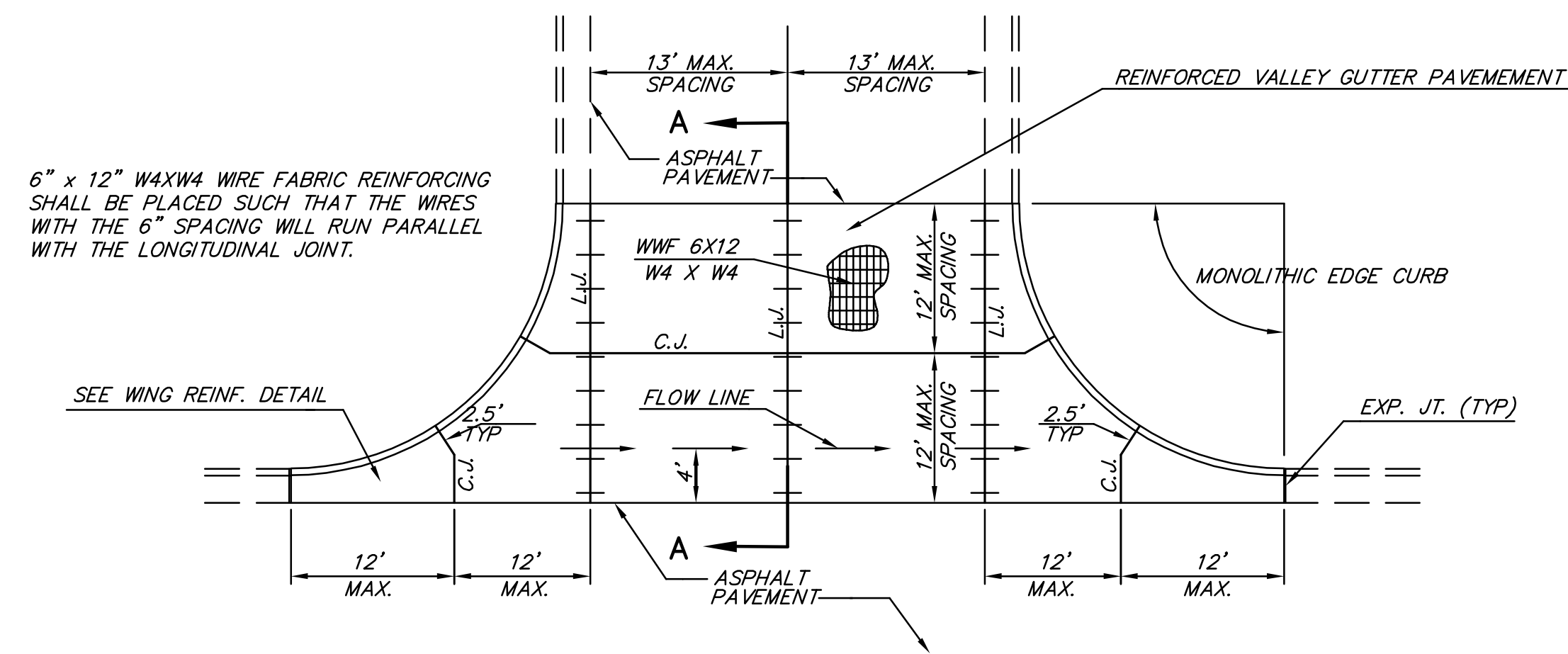
KEYWAY DETAIL



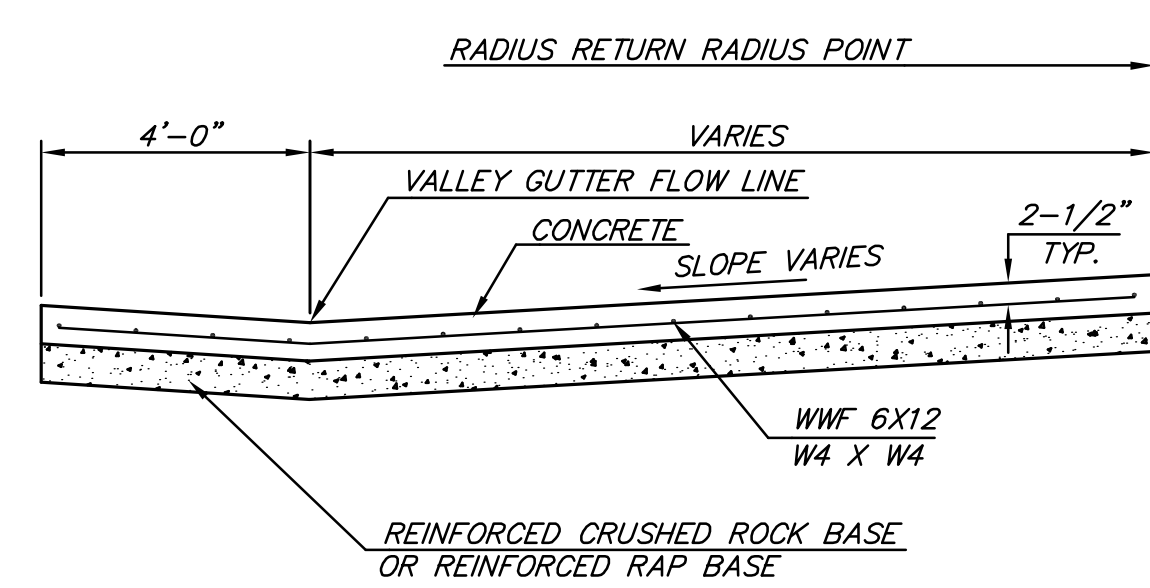
CONTRACTION JOINT DETAIL (C.J.)



LONGITUDINAL JOINT DETAIL (L.J.)

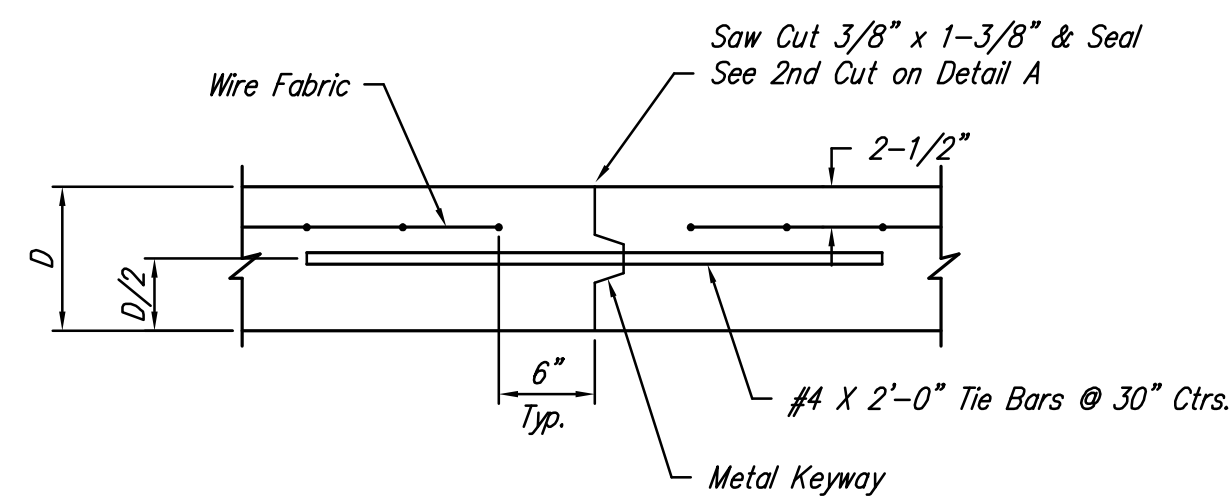


PLAN

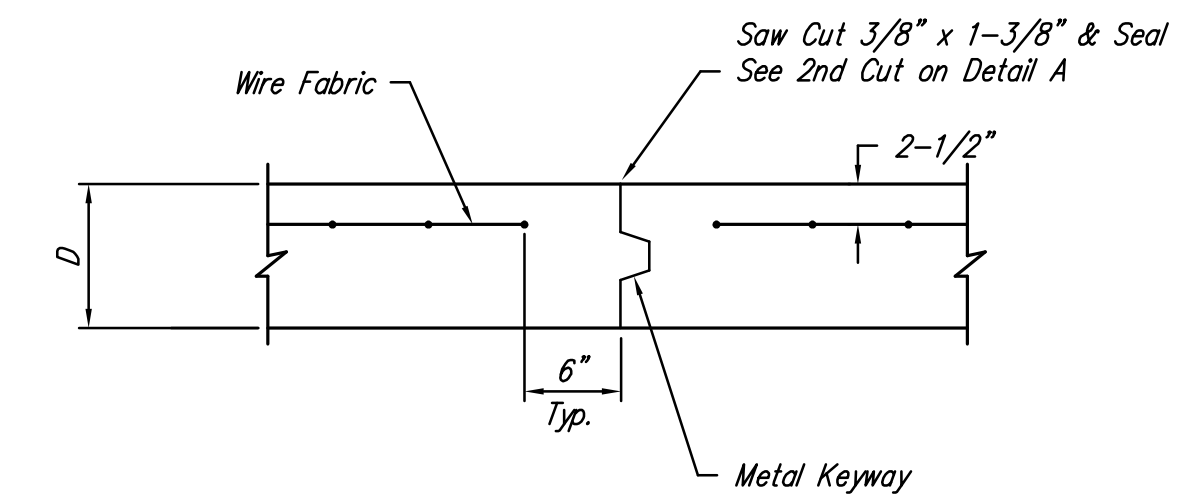


SECTION A-A

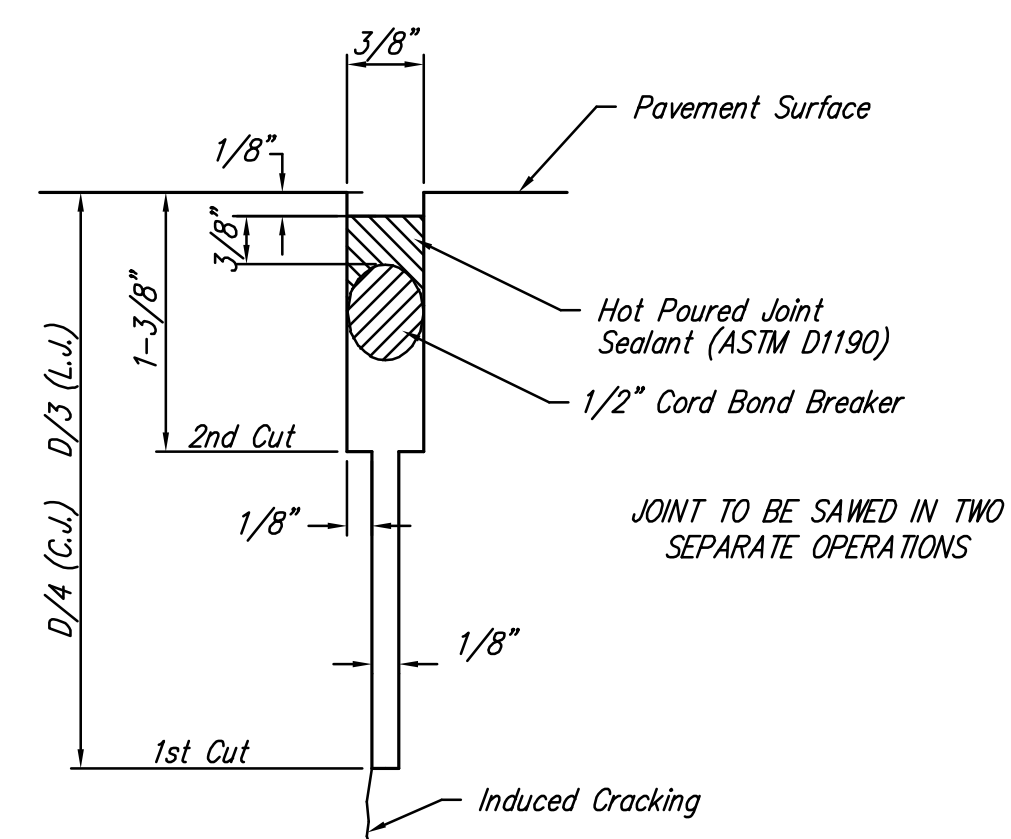
REINFORCED VALLEY GUTTER DETAIL



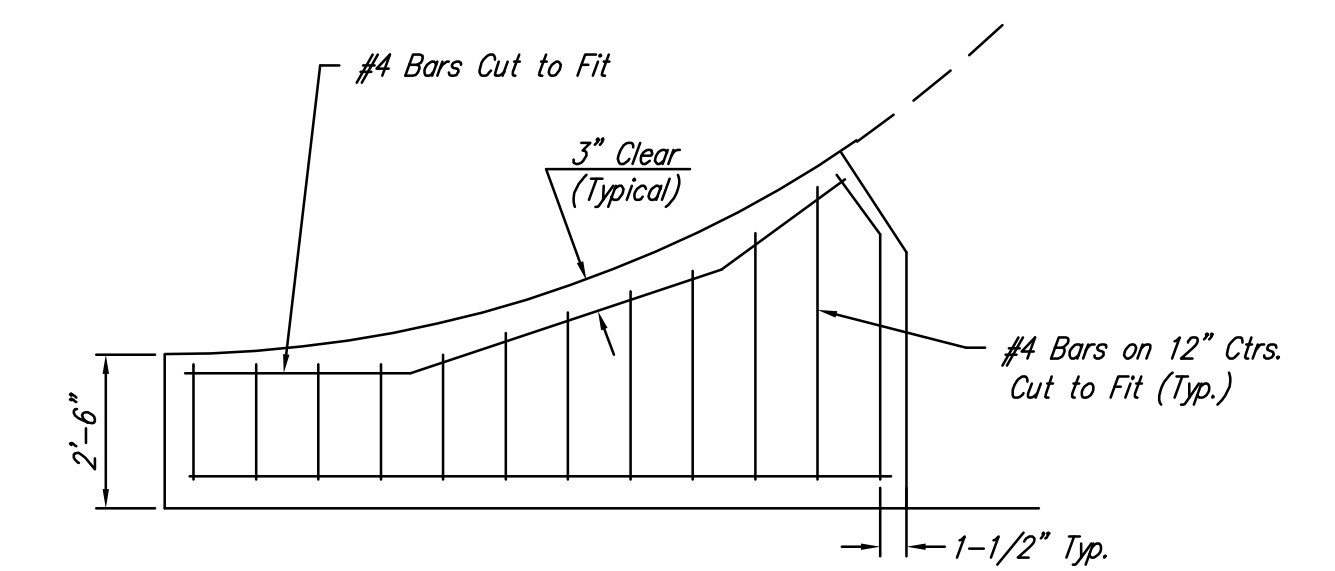
OPTIONAL LONGITUDINAL JOINT DETAIL (L.J.)



OPTIONAL CONTRACTION JOINT



SAW JOINT DETAIL



WING REINFORCING DETAIL

<p>THE CITY OF WICHITA</p> <p>CITY ENGINEER'S OFFICE CITY HALL - SEVENTH FLOOR 433 NORTH MAIN STREET WICHITA, KANSAS 67202 (316) 268-4501 (316) 268-4114 FAX</p>	VALLEY GUTTER DETAILS	
	JAMES L. ARMOUR, P.E. - CITY ENGINEER	
	PROJECT NUMBER 468-84546	OCA NUMBER 751481
	DATE Nov 08	Sheet 4 of 12