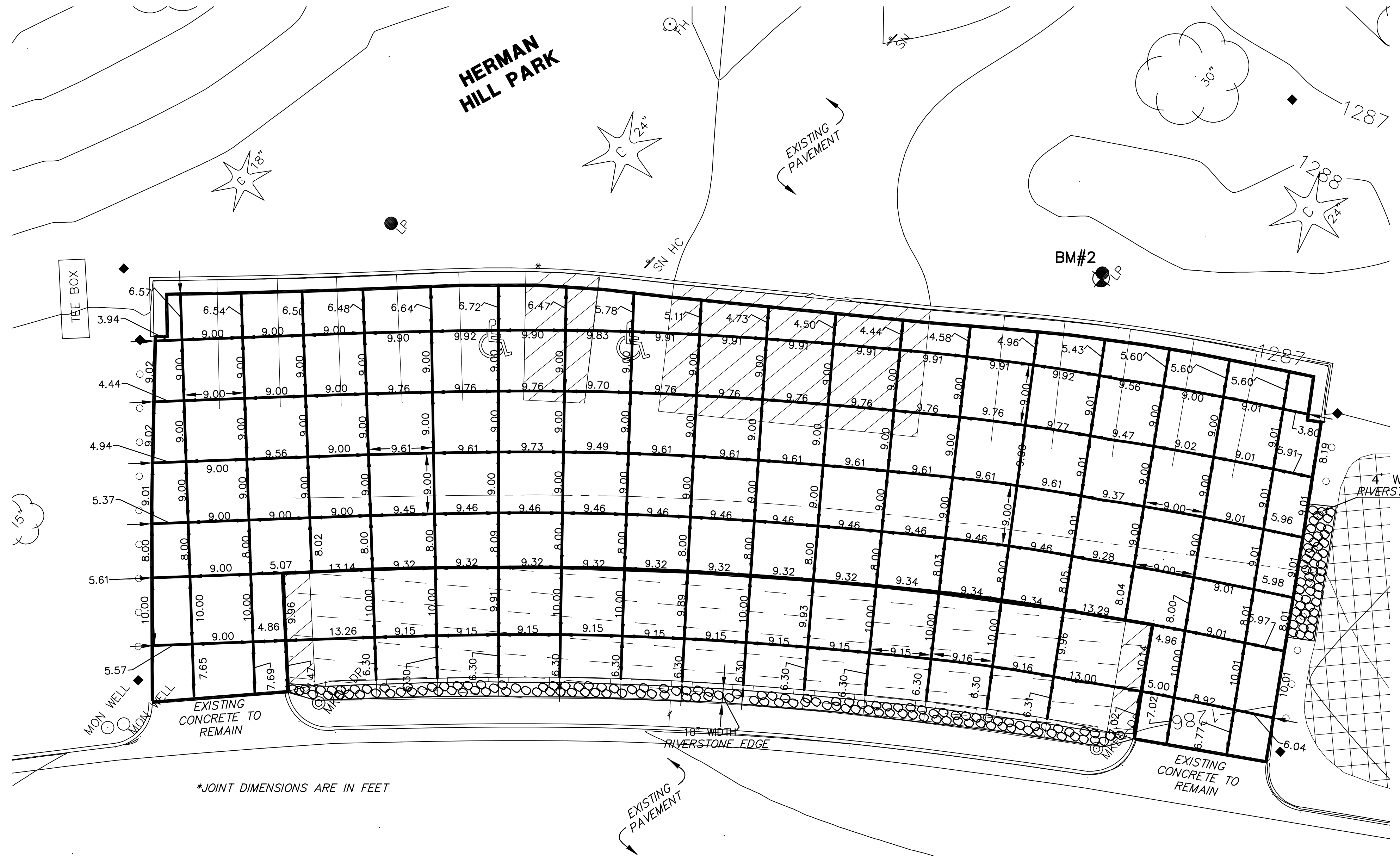
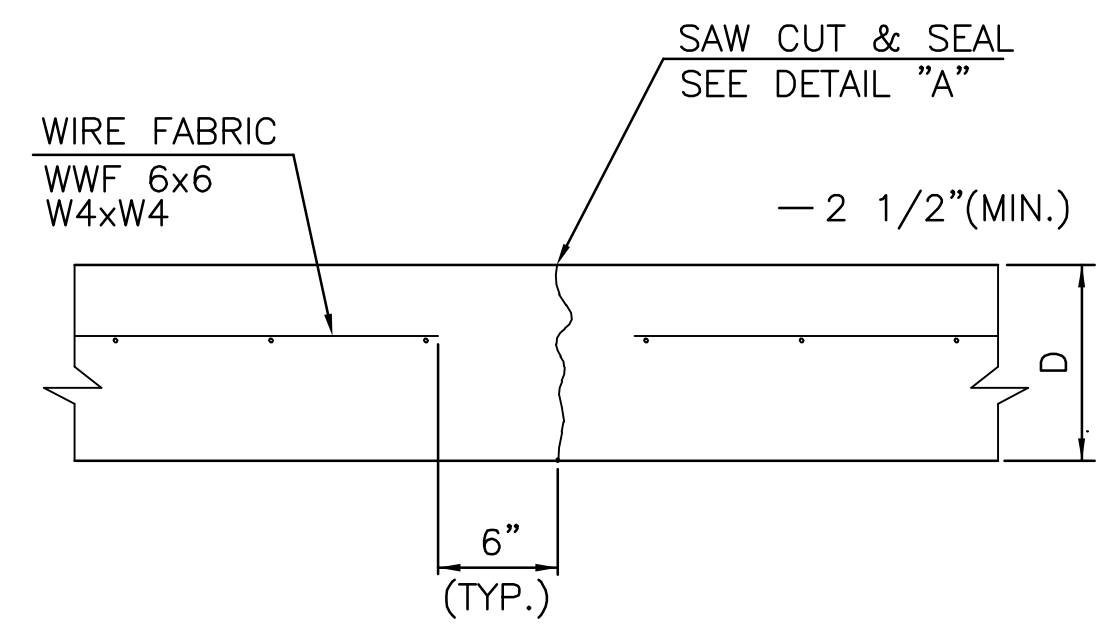


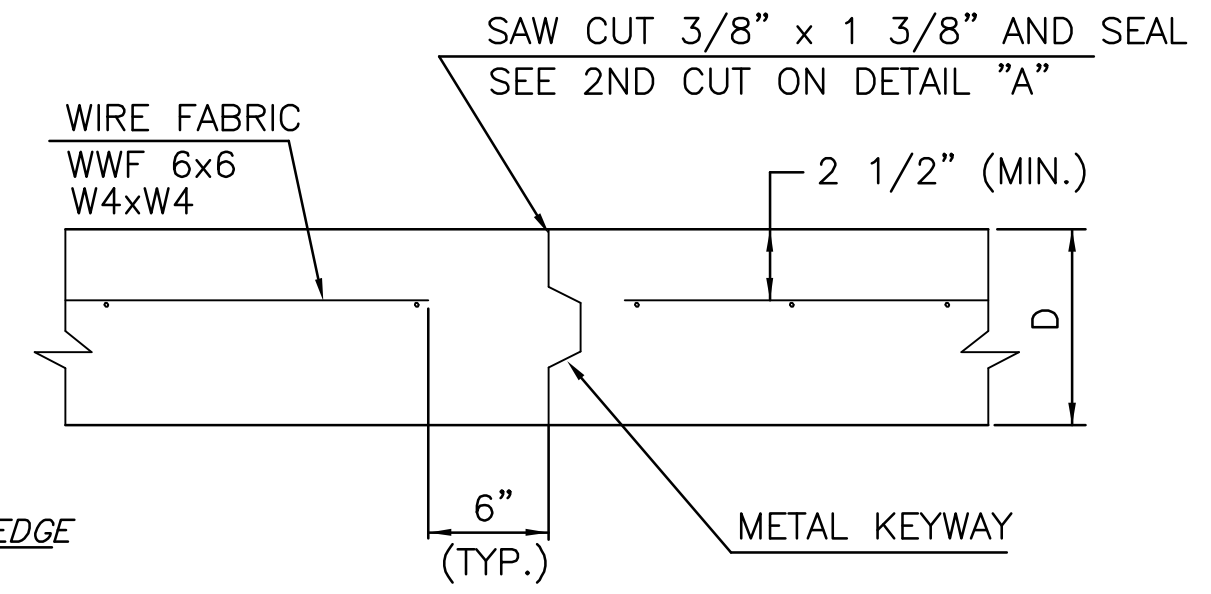
**PARKING LOT RECONFIGURATION  
WICHITA WATER CENTER  
LOW IMPACT DEVELOPMENT**



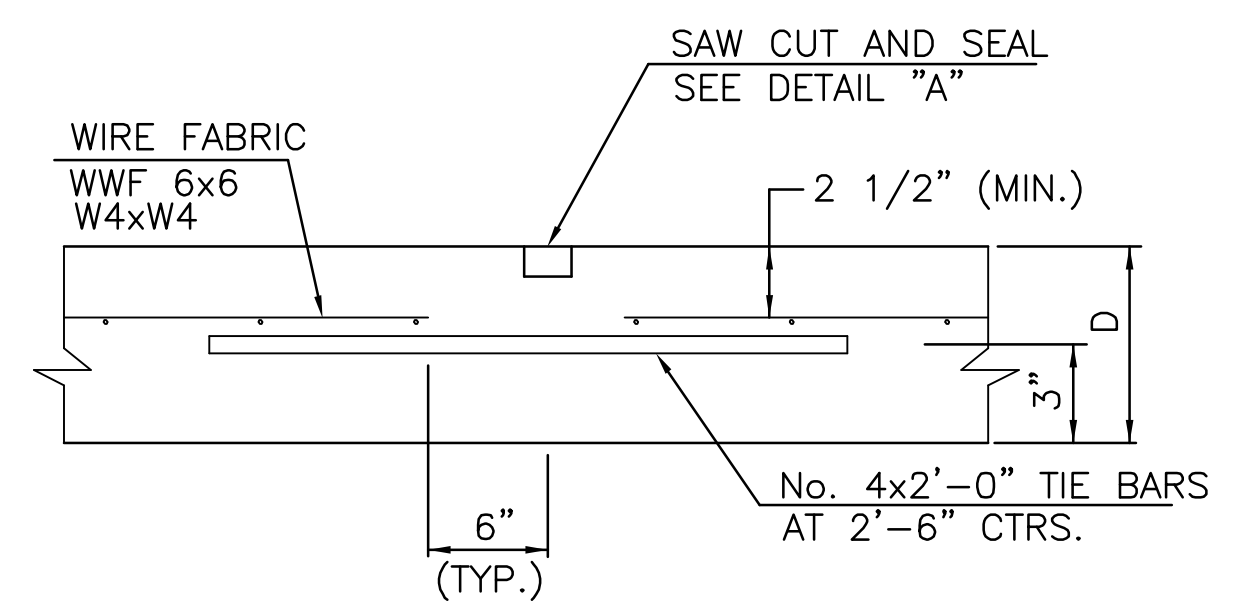
\*JOINT DIMENSIONS ARE IN FEET



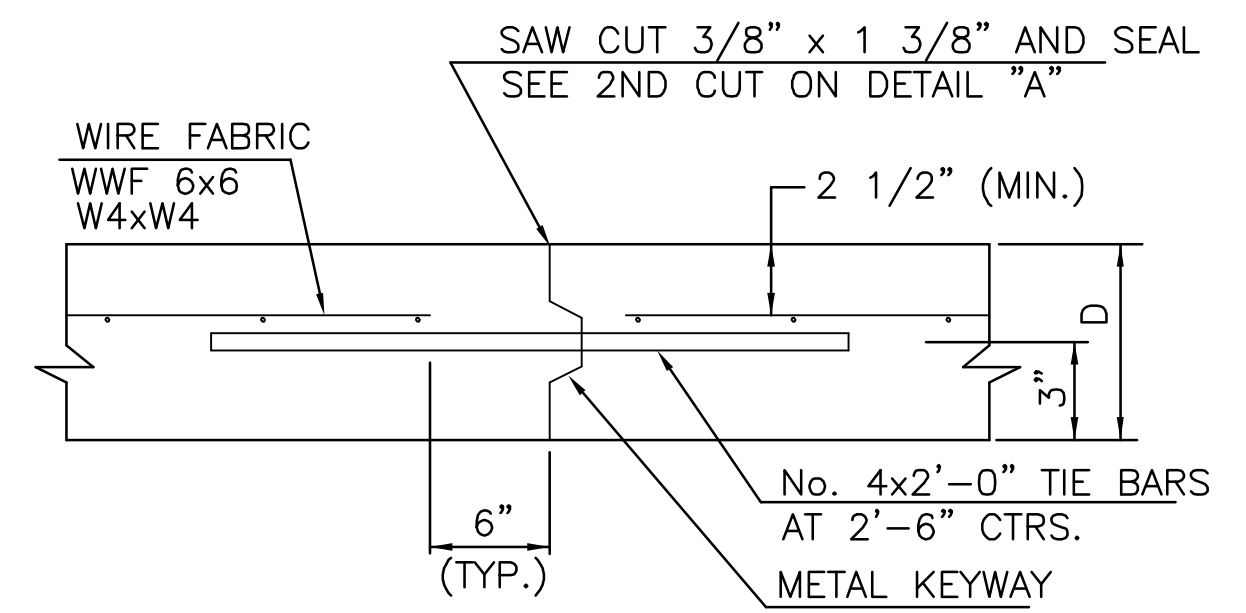
**CONTRACTION JOINT DETAIL (C.J.)  
FOR STANDARD CONCRETE PAVEMENT**  
N.T.S.



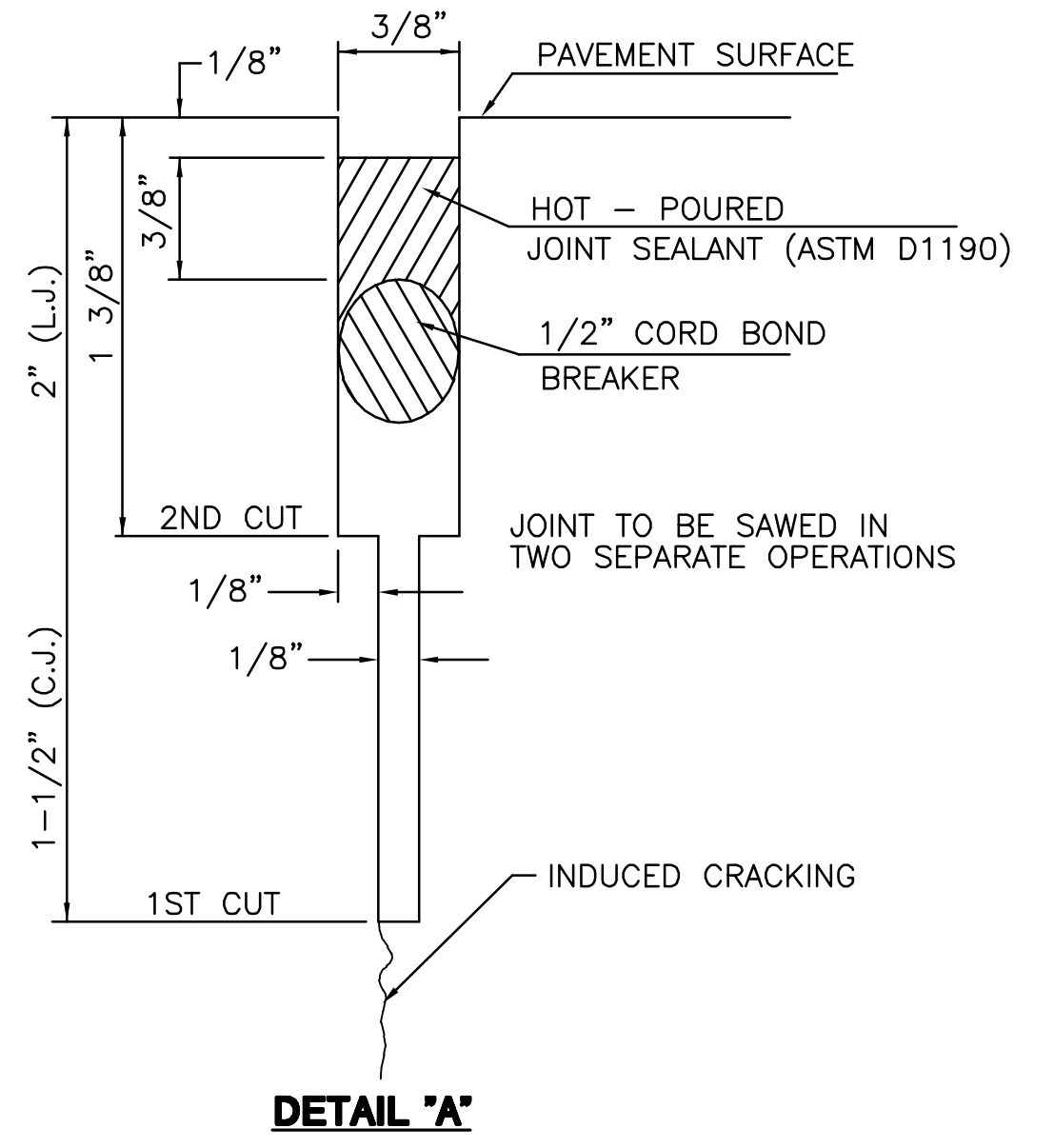
**OPTIONAL CONTRACTION CONSTRUCTION JOINT (C.J.)  
FOR STANDARD CONCRETE PAVEMENT**  
(Alternate C.J.)  
N.T.S.



**LONGITUDINAL JOINT DETAIL (L.J.)  
FOR STANDARD CONCRETE PAVEMENT**  
N.T.S.



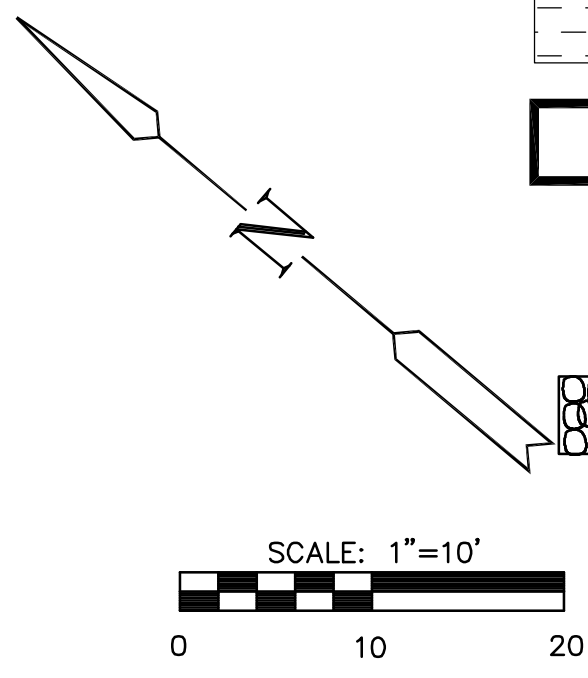
**OPTIONAL LONGITUDINAL CONSTRUCTION JOINT (L.J.)  
FOR STANDARD CONCRETE PAVEMENT**  
(Alternate L.J.)  
N.T.S.



**LEGEND**

- POROUS CONCRETE PAVEMENT
- CONCRETE PAVEMENT BOUNDARY
- JOINT LAYOUT
- RIVERSTONE EDGE

NOTE: SEE SPECIFICATIONS FOR POROUS CONCRETE JOINT REQUIREMENTS.



**JOINT LAYOUT**  
SHEET TITLE  
07800  
PROJECT NUMBER

DESIGN BY: **TMH**  
DRAWN BY: **TMH**  
CHECKED BY: **MAB**

ISSUED: **SEPTEMBER 2008**  
REVISED: **OCTOBER 2008**

SHEET NO.  
**6 of 12**

PLOTTED: Monday, November 10, 2008 @ 04:27PM

J:\CIVIL\07800 - COW LID WATER CENTER.DWG\CIVIL\SITE\PAV\JOINTLAYOUT.DWG